



**SUBMITTAL DATA – AIR HANDLER  
LIAC024-180P431 - LIAH024-180P431  
INVERTER SINGLE ZONE SPLIT COOLING ONLY**

Job: \_\_\_\_\_  
Location: \_\_\_\_\_  
Schedule No.: \_\_\_\_\_  
System Designation: \_\_\_\_\_

Engineer: \_\_\_\_\_  
Architect: \_\_\_\_\_  
Date: \_\_\_\_\_

**FEATURES**

Outdoor Unit: **LIAC024-180P431**  
Outdoor Unit Cat Number: **Y8490**

Indoor Unit: **LIAH024-180P431**  
Indoor Unit Cat Number: **Y8486**



- Multiple system protection
- 24V Control



- Multi-Position
- ECM Motor
- TXV Metering Device
- Dual Condensate Connections

**PIPING**

Line Set and Elevation Guidelines

Maximum Line Set Length ft. (m)	100 ft. (30 m)
Maximum Elevation - Outdoor Unit Below/Above Indoor Unit ft. (m)	50 ft. (15 m)
Liquid Line Set Diameter (in.)	3/8"
Gas Line Set Diameter (in.)	3/4"

**PRODUCT WARRANTY**

5 Year Limited Warranty\*

**OPTIONAL ACCESORIES**



**NOTE** – Due to Lennox' ongoing commitment to quality, Specifications, Ratings, and Dimensions are subject to change without notice and without incurring liability. Improper installation, adjustment, alteration, service or maintenance can cause property damage or personal injury. Installation and service must be performed by a qualified installer and servicing agency



**SUBMITTAL DATA – AIR HANDLER**  
**LIAC024-180P431 - LIAH024-180P431**  
**INVERTER SINGLE ZONE SPLIT COOLING ONLY**

**OUTDOOR SPECIFICATIONS**

<b>PERFORMANCE</b>	
Cooling Capacity (Btu/h)	24,000
EER(W/W)	3.66
SEER(BTUH/W)	18
Heating Capacity (Btu/h)	/
HSPF	/

Outdoor Fan Total Air Volume (CFM)	2,400
<b>Ambient Temperature Operating Range</b>	
Cooling	40°F(4°C) - 120°F(49°C)
Heating	/

<b>ELECTRICAL DATA</b>	
Power Supply (V/Hz/ϕ)	208-230/60/1
Minimum Circuit Ampacity (A)	17.7
Maximum Overcurrent Protection (A)	30
Outdoor Fan Motor FLA (A)	.8
Compressor RLA (A)	13.5
No. of Compressors	1

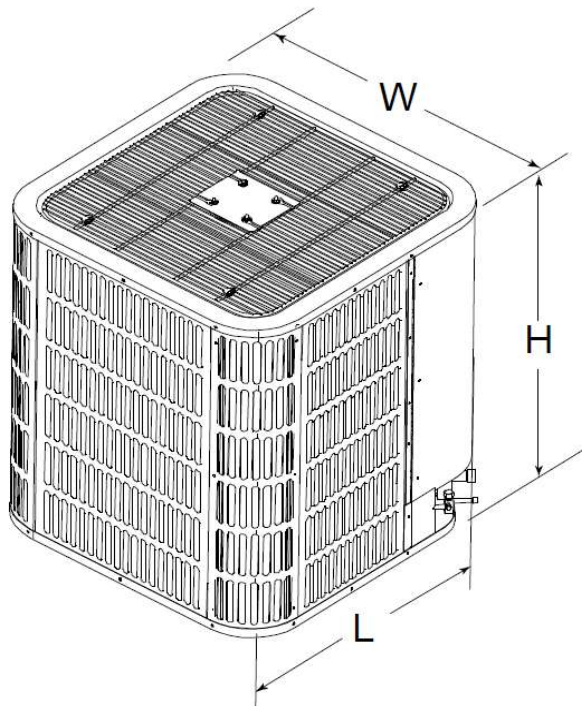
<b>GENERAL DATA</b>	
Connection Ratio (%)	100%
Max. # of Indoor Units	1
Sound Data (dBA) - Cooling/Heating	75
Refrigerant type	R-410A
Factory refrigerant charge	4.88 lbs. 78 oz.

<b>DIMENSIONS</b>		
Unit Dimensions (in)	Height	24-15/16
	Width	29-1/8
	Depth	29-1/8
Shipping Weight (lb)		143
Net Weight (lb)		134

**NOTES**

Cooling Capacity data is rated at the following conditions:  
 Cooling: 80°FDB / 67°FWB Indoor, 95°FDB/75°FWB Outdoor

**OUTDOOR DIMENSIONAL DRAWINGS - INCHES (MM)**



<b>ODU</b>	<b>Inch</b>	<b>mm</b>
H	24-15/16	633
W	29-1/8	740
D	29-1/8	740

**NOTE** – Due to Lennox’ ongoing commitment to quality, Specifications, Ratings, and Dimensions are subject to change without notice and without incurring liability. Improper installation, adjustment, alteration, service or maintenance can cause property damage or personal injury. Installation and service must be performed by a qualified installer and servicing agency



**SUBMITTAL DATA – AIR HANDLER**  
**LIAC024-180P431 - LIAH024-180P431**  
**INVERTER SINGLE ZONE SPLIT COOLING ONLY**

**INDOOR SPECIFICATIONS**

**PERFORMANCE**

Rated Airflow (CFM)	800
External Static Pressure (Pa)	25
Sound Level(dBA)	63

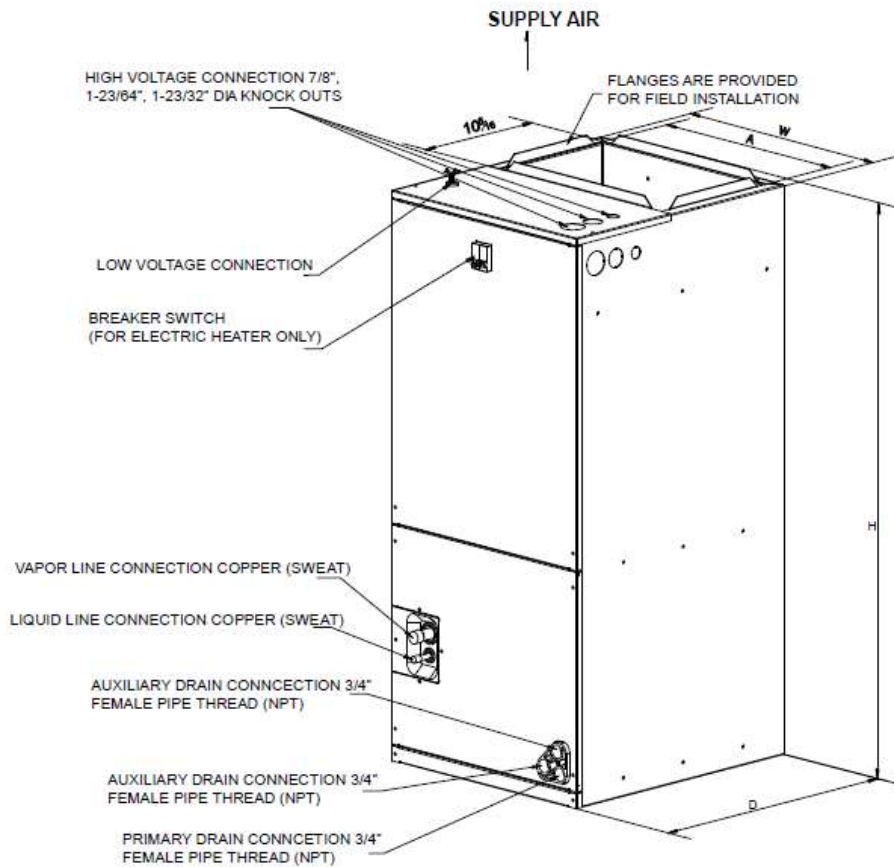
**ELECTRICAL DATA**

Power Supply (V/Hz/φ)	208-230/60/1
Full load amps (FLA)	2.8
Rated HP	1/3

**DIMENSIONS**

Unit Dimensions (in)	Height	46-1/2
	Width	19-5/8
	Depth	21-5/8
Unit Net/Shipping Weight (lb)		119/132

**INDOOR DIMENSIONAL DRAWINGS - INCHES (MM)**



IDU	Inch	mm
H	46-1/2	1180
W	19-5/8	500
D	21-5/8	550
A	18	456

UPFLOW UNIT SHOWN;  
 UNIT MAY BE INSTALLED UPFLOW, DOWNFLOW,  
 HORIZONTAL RIGHT, OR LEFT AIR SUPPLY.

**NOTE** – Due to Lennox’ ongoing commitment to quality, Specifications, Ratings, and Dimensions are subject to change without notice and without incurring liability. Improper installation, adjustment, alteration, service or maintenance can cause property damage or personal injury. Installation and service must be performed by a qualified installer and servicing agency