



**SUBMITTAL DATA – AIR HANDLER
LIAC060-180P431 - LIAH060-180P431
INVERTER SINGLE ZONE SPLIT COOLING ONLY**

Job: _____
 Location: _____
 Schedule No.: _____
 System Designation: _____

Engineer: _____
 Architect: _____
 Date: _____

FEATURES

Outdoor Unit: **LIAC060-180P431**
 Outdoor Unit Cat Number: **Y8493**

Indoor Unit: **LIAH060-180P431**
 Indoor Unit Cat Number: **Y8489**



- Multiple system protection
- 24V Control



- Multi-Position
- ECM Motor
- TXV Metering Device
- Dual Condensate Connections

PIPING

Line Set and Elevation Guidelines

Maximum Line Set Length ft. (m)	100 ft. (30 m)
Maximum Elevation - Outdoor Unit Below/Above Indoor Unit ft. (m)	50 ft. (15 m)
Liquid Line Set Diameter (in.)	3/8"
Gas Line Set Diameter (in.)	7/8"

PRODUCT WARRANTY

5 Year Limited Warranty*

OPTIONAL ACCESORIES



NOTE – Due to Lennox' ongoing commitment to quality, Specifications, Ratings, and Dimensions are subject to change without notice and without incurring liability. Improper installation, adjustment, alteration, service or maintenance can cause property damage or personal injury. Installation and service must be performed by a qualified installer and servicing agency



**SUBMITTAL DATA – AIR HANDLER
LIAC060-180P431 - LIAH060-180P431
INVERTER SINGLE ZONE SPLIT COOLING ONLY**

OUTDOOR SPECIFICATIONS

PERFORMANCE	
Cooling Capacity (Btu/h)	58,000
EER(W/W)	3.43
SEER(BTUH/W)	18
Heating Capacity (Btu/h)	/
HSPF	/

Outdoor Fan Total Air Volume (CFM)	4,100
Ambient Temperature Operating Range	
Cooling	40°F(4°C) - 120°F(49°C)
Heating	/

ELECTRICAL DATA	
Power Supply (V/Hz/ϕ)	208-230/60/1
Minimum Circuit Ampacity (A)	36.5
Maximum Overcurrent Protection (A)	60
Outdoor Fan Motor FLA (A)	2.5
Compressor RLA (A)	27.2
No. of Compressors	1

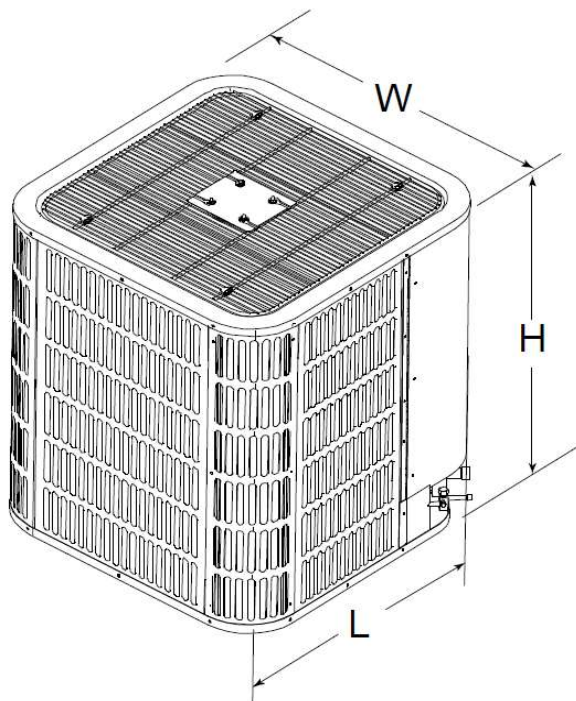
GENERAL DATA	
Connection Ratio (%)	100%
Max. # of Indoor Units	1
Sound Data (dBA) - Cooling/Heating	79
Refrigerant type	R-410A
Factory refrigerant charge	10.2 lbs. 163 oz.

DIMENSIONS		
Unit Dimensions (in)	Height	33-3/16
	Width	29-1/8
	Depth	29-1/8
Shipping Weight (lb)	203	
Net Weight (lb)	192	

NOTES

Cooling Capacity data is rated at the following conditions:
Cooling: 80°FDB / 67°FWB Indoor, 95°FDB/75°FWB
Outdoor

OUTDOOR DIMENSIONAL DRAWINGS - INCHES (MM)



ODU	Inch	mm
H	33-3/16	843
W	29-1/8	740
D	29-1/8	740

NOTE – Due to Lennox' ongoing commitment to quality, Specifications, Ratings, and Dimensions are subject to change without notice and without incurring liability. Improper installation, adjustment, alteration, service or maintenance can cause property damage or personal injury. Installation and service must be performed by a qualified installer and servicing agency

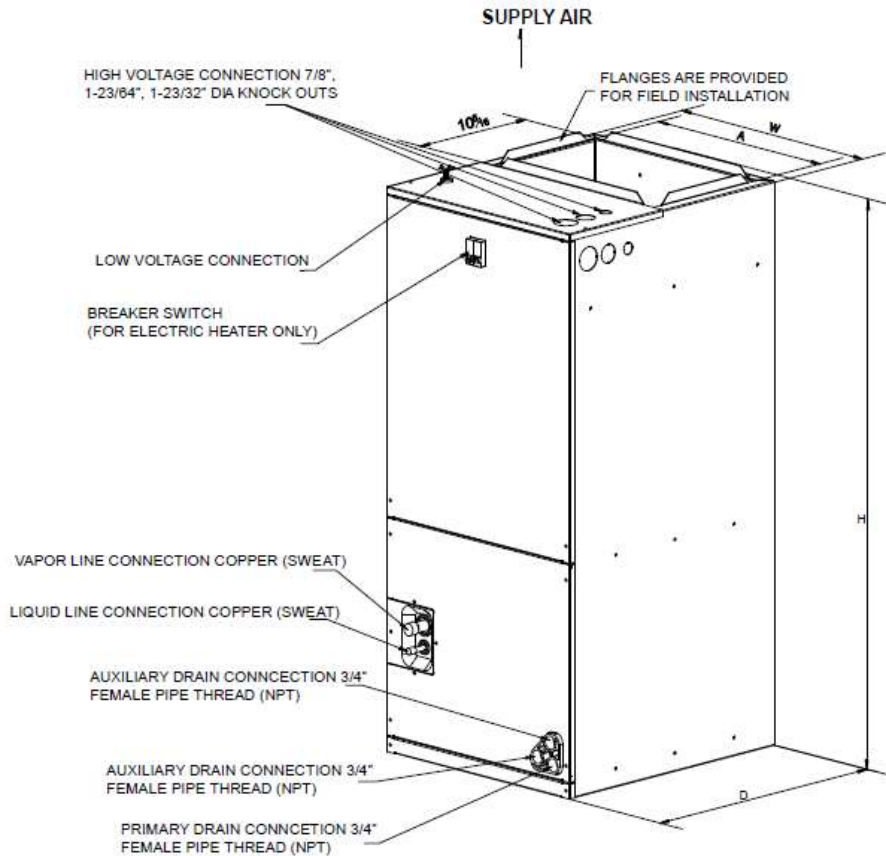


**SUBMITTAL DATA – AIR HANDLER
LIAC060-180P431 - LIAH060-180P431
INVERTER SINGLE ZONE SPLIT COOLING ONLY**

INDOOR SPECIFICATIONS

PERFORMANCE		
Rated Airflow (CFM)		1700
External Static Pressure (Pa)		50
Sound Level(dBA)		68
ELECTRICAL DATA		
Power Supply (V/Hz/ϕ)		208-230/60/1
Full load amps (FLA)		6
Rated HP		3/4
DIMENSIONS		
Unit Dimensions (in)	Height	54-1/2
	Width	22
	Depth	24
Unit Net/Shipping Weight (lb)		170/188

INDOOR DIMENSIONAL DRAWINGS - INCHES (MM)



IDU	Inch	mm
H	54-1/2	1385
W	22	560
D	24	610
A	19-1/2	496

UPFLOW UNIT SHOWN:
UNIT MAY BE INSTALLED UPFLOW, DOWNFLOW,
HORIZONTAL RIGHT, OR LEFT AIR SUPPLY.

NOTE – Due to Lennox' ongoing commitment to quality, Specifications, Ratings, and Dimensions are subject to change without notice and without incurring liability. Improper installation, adjustment, alteration, service or maintenance can cause property damage or personal injury. Installation and service must be performed by a qualified installer and servicing agency