



SUBMITTAL DATA – AIR HANDLER
LISH024036-200U432 - LIAH036-200U432
INVERTER SINGLE ZONE SPLIT HEAT PUMP

Job: _____
Location: _____
Schedule No.: _____
System Designation: _____

Engineer: _____
Architect: _____
Date: _____

FEATURES

Outdoor Unit: **LISH024036-200U432**
Outdoor Unit Cat Number: **21H89**

Indoor Unit: **LIAH036-200U432**
Indoor Unit Cat Number: **21H92**



- Full DC Inverter
- 24V Control
- Compact Side Discharge Design
- Golden Fin
- Dual-rated Capacity Unit
- Defrosting Technology
- Intelligent Protection Functions

- High Static Pressure Fan
- Fire-proof Electrical Box Design
- Anti-Electric Shock Design
- Metal Filter
- DC Fan Motor
- Low Noise
- Multiple Installation Position

PIPING

Line Set and Elevation Guidelines	
Maximum Line Set Length ft. (m)	100 ft. (30 m)
Maximum Elevation - Outdoor Unit Below/Above Indoor Unit ft. (m)	50 ft. (15 m)
Liquid Line Set Diameter (in.)	3/8"
Gas Line Set Diameter (in.)	3/4"

PRODUCT WARRANTY

5 Year Limited Warranty*

OPTIONAL ACCESSORIES

Throw-over pipe(Connect pipe)



NOTE – Due to Lennox’ ongoing commitment to quality, Specifications, Ratings, and Dimensions are subject to change without notice and without incurring liability. Improper installation, adjustment, alteration, service or maintenance can cause property damage or personal injury. Installation and service must be performed by a qualified installer and servicing agency



SUBMITTAL DATA – AIR HANDLER
LISH024036-200U432 - LIAH036-200U432
INVERTER SINGLE ZONE SPLIT HEAT PUMP

OUTDOOR SPECIFICATIONS

PERFORMANCE	
Cooling Capacity (Btu/h)	36,000
EER(W/W)	3.1
SEER(Btuh/W)	18
Heating Capacity (Btu/h)	36,000
HSPF	10
Outdoor Fan Total Air Volume (CFM)	3,470
Ambient Temperature Operating Range	
Cooling	5°F(-15°C) - 129.2°F(54°C)
Heating	-22°F(-30°C) - 75.2°F(24°C)
ELECTRICAL DATA	
Power Supply (V/Hz/ϕ)	208-230/50-60/1
Minimum Circuit Ampacity (A)	24
Maximum Overcurrent Protection (A)	35
Outdoor Fan Motor FLA (A)	1.5
Compressor RLA (A)	16
No. of Compressors	1

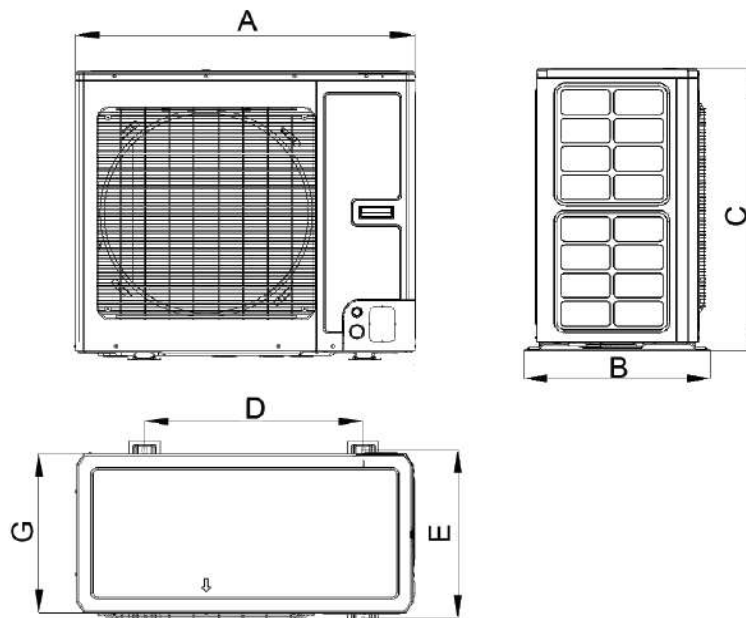
GENERAL DATA	
Connection Ratio (%)	100%
Max. # of Indoor Units	1
Sound Data (dBA) - Cooling/Heating	57
Refrigerant type	R-410A
Factory refrigerant charge	9.26 lbs. 148.16 oz.

DIMENSIONS		
Unit Dimensions (in)	Height	32.3
	Width	37.0
	Depth	18.1
Shipping Weight (lb)		240.3
Net Weight (lb)		217.2

NOTES

Cooling Capacity data is rated at the following conditions:
 Cooling: 80°FDB / 67°F WB Indoor, 95°FDB/75°F WB Outdoor

OUTDOOR DIMENSIONAL DRAWINGS - INCHES (MM)



ODU	UNIT	A	B	C	D	E	G
24K/36K	mm	940	530	820	610	486	460
	inch	37.0	20.9	32.3	24.0	19.1	18.1

NOTE – Due to Lennox' ongoing commitment to quality, Specifications, Ratings, and Dimensions are subject to change without notice and without incurring liability. Improper installation, adjustment, alteration, service or maintenance can cause property damage or personal injury. Installation and service must be performed by a qualified installer and servicing agency



**SUBMITTAL DATA – AIR HANDLER
LISH024036-200U432 - LIAH036-200U432
INVERTER SINGLE ZONE SPLIT HEAT PUMP**

INDOOR SPECIFICATIONS

PERFORMANCE

Rated Airflow (CFM)	1000
External Static Pressure Range (in w.g.)	0-1
Sound Level(dBA)	47

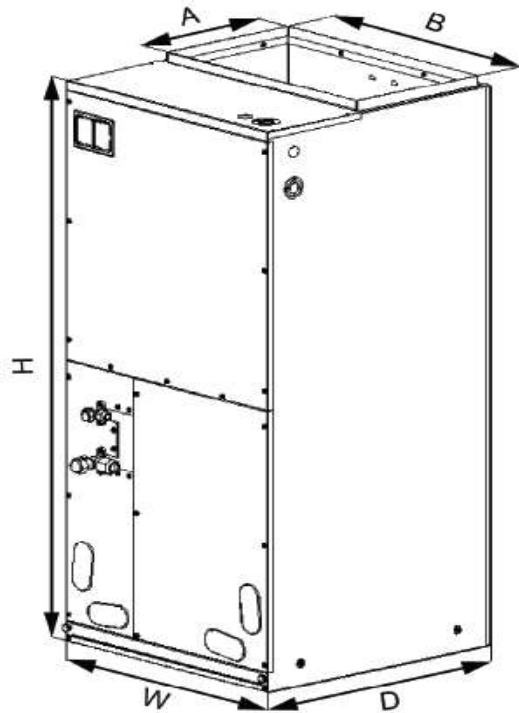
ELECTRICAL DATA

Power Supply (V/Hz/ϕ)	208-230/50-60/1
Full load amps (FLA)	3
Rated HP	1/2

DIMENSIONS

Unit Dimensions (in)	Height	48.3
	Width	21.3
	Depth	21.3
Unit Net/Shipping Weight (lb)		156.5/169.8

INDOOR DIMENSIONAL DRAWINGS - INCHES (MM)



IDU	UNIT	W	D	H	A	B
24K/36K	mm	540	540	1224	295	508
	inch	21.3	21.3	48.3	11.6	20.0

NOTE – Due to Lennox' ongoing commitment to quality, Specifications, Ratings, and Dimensions are subject to change without notice and without incurring liability. Improper installation, adjustment, alteration, service or maintenance can cause property damage or personal injury. Installation and service must be performed by a qualified installer and servicing agency