



**SUBMITTAL DATA – AIR HANDLER**  
**LISH048060-200U432 - LIAH060-200U432**  
**INVERTER SINGLE ZONE SPLIT HEAT PUMP**

Job: \_\_\_\_\_  
 Location: \_\_\_\_\_  
 Schedule No.: \_\_\_\_\_  
 System Designation: \_\_\_\_\_

Engineer: \_\_\_\_\_  
 Architect: \_\_\_\_\_  
 Date: \_\_\_\_\_

**FEATURES**

Outdoor Unit: **LISH048060-200U432**  
 Outdoor Unit Cat Number: **21H90**

Indoor Unit: **LIAH060-200U432**  
 Indoor Unit Cat Number: **21H96**



- Full DC Inverter
- 24V Control
- Compact Side Discharge Design
- Golden Fin
- Dual-rated Capacity Unit
- Defrosting Technology
- Intelligent Protection Functions

- High Static Pressure Fan
- Fire-proof Electrical Box Design
- Anti-Electric Shock Design
- Metal Filter
- DC Fan Motor
- Low Noise
- Multiple Installation Position

**PIPING**

Line Set and Elevation Guidelines

|  |                |
|--|----------------|
| Maximum Line Set Length ft. (m)                                  | 100 ft. (30 m) |
| Maximum Elevation - Outdoor Unit Below/Above Indoor Unit ft. (m) | 50 ft. (15 m)  |
| Liquid Line Set Diameter (in.)                                   | 3/8"           |
| Gas Line Set Diameter (in.)                                      | 3/4"           |

**PRODUCT WARRANTY**

5 Year Limited Warranty\*

**OPTIONAL ACCESSORIES**

Throw-over pipe(Connect pipe)



**NOTE** – Due to Lennox' ongoing commitment to quality, Specifications, Ratings, and Dimensions are subject to change without notice and without incurring liability. Improper installation, adjustment, alteration, service or maintenance can cause property damage or personal injury. Installation and service must be performed by a qualified installer and servicing agency



**SUBMITTAL DATA – AIR HANDLER**  
**LISH048060-200U432 - LIAH060-200U432**  
**INVERTER SINGLE ZONE SPLIT HEAT PUMP**

**OUTDOOR SPECIFICATIONS**

| PERFORMANCE              |        |
|--------------------------|--------|
| Cooling Capacity (Btu/h) | 54,000 |
| EER(W/W)                 | 3.1    |
| SEER(Btuh/W)             | 17     |
| Heating Capacity (Btu/h) | 54,000 |
| HSPF                     | 10     |

|                                     |                             |
|-------------------------------------|-----------------------------|
| Outdoor Fan Total Air Volume (CFM)  | 4,700                       |
| Ambient Temperature Operating Range |                             |
| Cooling                             | 5°F(-15°C) - 129.2°F(54°C)  |
| Heating                             | -22°F(-30°C) - 75.2°F(24°C) |

| ELECTRICAL DATA                    |                 |
|------------------------------------|-----------------|
| Power Supply (V/Hz/ϕ)              | 208-230/50-60/1 |
| Minimum Circuit Ampacity (A)       | 35              |
| Maximum Overcurrent Protection (A) | 45              |
| Outdoor Fan Motor FLA (A)          | 1.5X2           |
| Compressor RLA (A)                 | 19              |
| No. of Compressors                 | 1               |

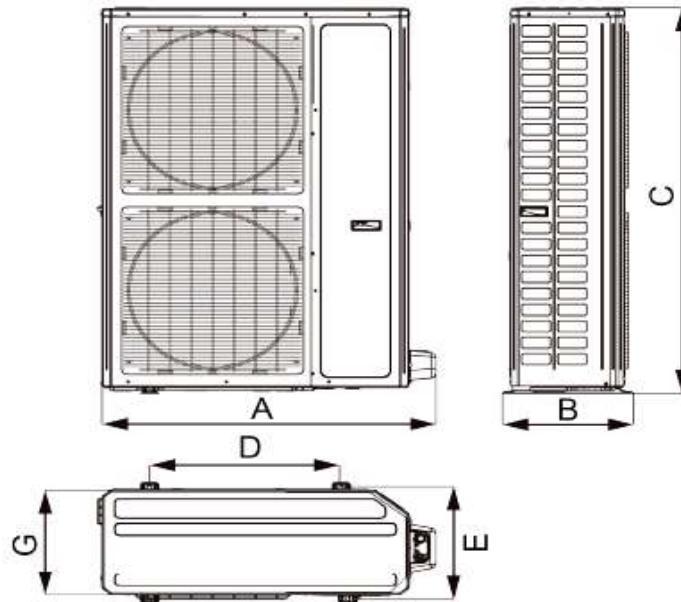
| GENERAL DATA                       |                     |
|------------------------------------|---------------------|
| Connection Ratio (%)               | 100%                |
| Max. # of Indoor Units             | 1                   |
| Sound Data (dBA) - Cooling/Heating | 58                  |
| Refrigerant type                   | R-410A              |
| Factory refrigerant charge         | 13.8 lbs. 220.8 oz. |

| DIMENSIONS           |        |       |
|----------------------|--------|-------|
| Unit Dimensions (in) | Height | 53.7  |
|                      | Width  | 42.8  |
|                      | Depth  | 14.6  |
| Shipping Weight (lb) |        | 337.3 |
| Net Weight (lb)      |        | 308.7 |

**NOTES**

Cooling Capacity data is rated at the following conditions:  
 Cooling: 80°FDB / 67°FWB Indoor, 95°FDB/75°FWB Outdoor

**OUTDOOR DIMENSIONAL DRAWINGS - INCHES (MM)**



| ODU     | UNIT | A    | B    | C    | D    | E    | G    |
|---------|------|------|------|------|------|------|------|
| 48K/60K | mm   | 1085 | 427  | 1365 | 620  | 395  | 370  |
|         | inch | 42.8 | 16.9 | 53.8 | 24.5 | 15.5 | 14.5 |

**NOTE** – Due to Lennox' ongoing commitment to quality, Specifications, Ratings, and Dimensions are subject to change without notice and without incurring liability. Improper installation, adjustment, alteration, service or maintenance can cause property damage or personal injury. Installation and service must be performed by a qualified installer and servicing agency



**SUBMITTAL DATA – AIR HANDLER  
LISH048060-200U432 - LIAH060-200U432  
INVERTER SINGLE ZONE SPLIT HEAT PUMP**

**INDOOR SPECIFICATIONS**

**PERFORMANCE**

|  |      |
|--|------|
| Rated Airflow (CFM)                      | 1600 |
| External Static Pressure Range (in w.g.) | 0-1  |
| Sound Level(dBA)                         | 51   |

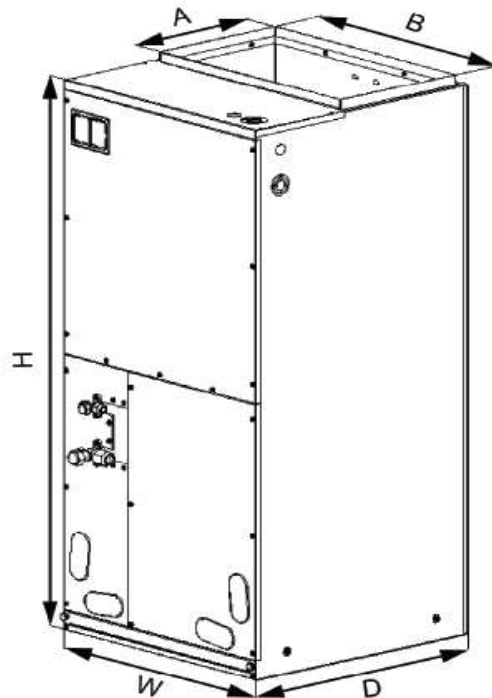
**ELECTRICAL DATA**

|                       |                 |
|-----------------------|-----------------|
| Power Supply (V/Hz/ϕ) | 208-230/50-60/1 |
| Full load amps (FLA)  | 5               |
| Rated HP              | 1               |

**DIMENSIONS**

|                               |        |             |
|-------------------------------|--------|-------------|
| Unit Dimensions (in)          | Height | 57.0        |
|                               | Width  | 24.8        |
|                               | Depth  | 21.3        |
| Unit Net/Shipping Weight (lb) |        | 202.8/218.3 |

**INDOOR DIMENSIONAL DRAWINGS - INCHES (MM)**



| IDU     | UNIT | W    | D    | H    | A    | B    |
|---------|------|------|------|------|------|------|
| 48K/60K | mm   | 630  | 540  | 1448 | 295  | 508  |
|         | inch | 24.8 | 21.3 | 57.0 | 11.6 | 20.0 |

**NOTE** – Due to Lennox’ ongoing commitment to quality, Specifications, Ratings, and Dimensions are subject to change without notice and without incurring liability. Improper installation, adjustment, alteration, service or maintenance can cause property damage or personal injury. Installation and service must be performed by a qualified installer and servicing agency