



**SUBMITTAL DATA – AIR HANDLER**  
**LISH048060-200U432 - LIAH060-200U432-STDESP**  
**INVERTER SINGLE ZONE SPLIT HEAT PUMP**

Job: \_\_\_\_\_  
Location: \_\_\_\_\_  
Schedule No.: \_\_\_\_\_  
System Designation: \_\_\_\_\_

Engineer: \_\_\_\_\_  
Architect: \_\_\_\_\_  
Date: \_\_\_\_\_

**FEATURES**

Outdoor Unit: **LISH048060-200U432**  
Outdoor Unit Cat Number: **21H90**

Indoor Unit: **LIAH060-200U432-STDESP**  
Indoor Unit Cat Number: **21J06**



- DC Inverter
- 24V Control
- Compact Side Discharge Design
- Defrosting Technology
- Intelligent Protection Functions
- Golden Fin
- Dual-Rated Capacity Unit

- Fire-proof Electrical Box Design
- Anti-Electric Shock Design
- Metal Filter
- DC Fan Motor
- Low Noise
- Multiple Installation Position

**PIPING**

Line Set and Elevation Guidelines

Maximum Line Set Length ft. (m)	100 ft. (30 m)
Maximum Elevation - Outdoor Unit Below/Above Indoor Unit ft. (m)	50 ft. (15 m)
Liquid Line Set Diameter (in.)	3/8"
Gas Line Set Diameter (in.)	3/4"

**PRODUCT WARRANTY**

5 Year Limited Warranty\*

**OPTIONAL ACCESSORIES**

Throw-over pipe(Connect pipe)



**NOTE** – Due to Lennox’ ongoing commitment to quality, Specifications, Ratings, and Dimensions are subject to change without notice and without incurring liability. Improper installation, adjustment, alteration, service or maintenance can cause property damage or personal injury. Installation and service must be performed by a qualified installer and servicing agency



**SUBMITTAL DATA – AIR HANDLER  
LISH048060-200U432 - LIAH060-200U432-STDESP  
INVERTER SINGLE ZONE SPLIT HEAT PUMP**

**OUTDOOR SPECIFICATIONS**

PERFORMANCE	
Cooling Capacity (Btu/h)	54,000
EER(W/W)	3.1
SEER(Btuh/W)	17
Heating Capacity (Btu/h)	54,000
HSPF	10

Outdoor Fan Total Air Volume (CFM)	4,700
Ambient Temperature Operating Range	
Cooling	5°F(-15°C) - 118°F(48°C)
Heating	-22°F(-30°C) - 75.2°F(24°C)

ELECTRICAL DATA	
Power Supply (V/Hz/ϕ)	208-230/60/1
Minimum Circuit Ampacity (A)	35
Maximum Overcurrent Protection (A)	45
Outdoor Fan Motor FLA (A)	1.5X2
Compressor RLA (A)	19
No. of Compressors	1

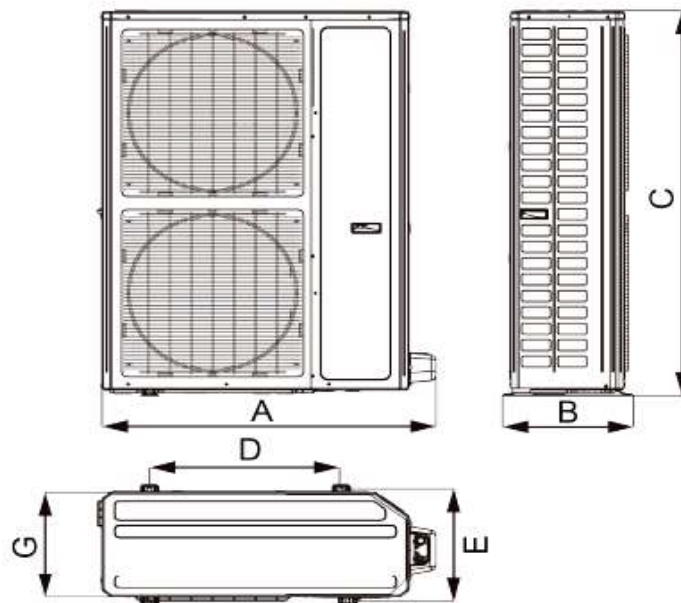
GENERAL DATA	
Connection Ratio (%)	100%
Max. # of Indoor Units	1
Sound Data (dBA) - Cooling/Heating	58
Refrigerant type	R-410A
Factory refrigerant charge	13.8 lbs. 220.8 oz.

DIMENSIONS		
Unit Dimensions (in)	Height	53.7
	Width	42.8
	Depth	14.6
Shipping Weight (lb)	337.3	
Net Weight (lb)	308.7	

**NOTES**

Cooling Capacity data is rated at the following conditions:  
Cooling: 80°FDB / 67°FWB Indoor, 95°FDB/75°FWB  
Outdoor

**OUTDOOR DIMENSIONAL DRAWINGS - INCHES (MM)**



ODU	UNIT	A	B	C	D	E	G
48K/60K	mm	1085	427	1365	620	395	370
	inch	42.8	16.9	53.8	24.5	15.5	14.5

**NOTE** – Due to Lennox’ ongoing commitment to quality, Specifications, Ratings, and Dimensions are subject to change without notice and without incurring liability. Improper installation, adjustment, alteration, service or maintenance can cause property damage or personal injury. Installation and service must be performed by a qualified installer and servicing agency



**SUBMITTAL DATA – AIR HANDLER  
LISH048060-200U432 - LIAH060-200U432-STDESP  
INVERTER SINGLE ZONE SPLIT HEAT PUMP**

**INDOOR SPECIFICATIONS**

**PERFORMANCE**

Rated Airflow (CFM)	1600
External Static Pressure Range (in w.g.)	0-0.4
Sound Level(dBA)	51

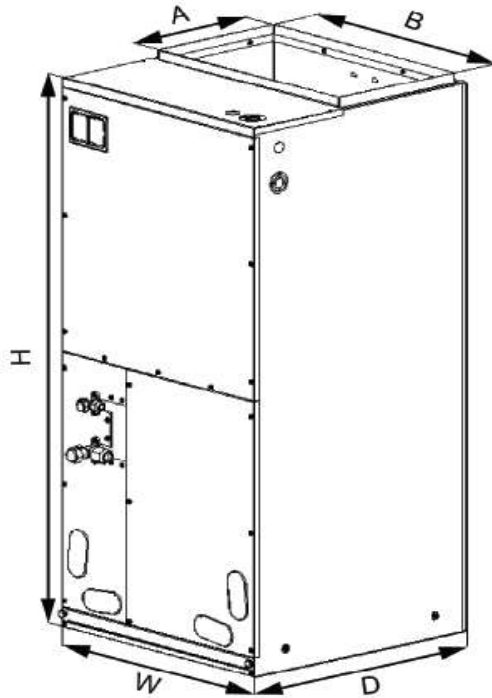
**ELECTRICAL DATA**

Power Supply (V/Hz/ϕ)	208-230/60/1
Full load amps (FLA)	3.2
Rated HP	1

**DIMENSIONS**

Unit Dimensions (in)	Height	57.0
	Width	24.8
	Depth	21.3
Unit Net/Shipping Weight (lb)		202.8/218.3

**INDOOR DIMENSIONAL DRAWINGS - INCHES (MM)**



IDU	UNIT	W	D	H	A	B
48K/60K	mm	630	540	1448	295	508
	inch	24.8	21.3	57.0	11.6	20.0

**NOTE** – Due to Lennox’ ongoing commitment to quality, Specifications, Ratings, and Dimensions are subject to change without notice and without incurring liability. Improper installation, adjustment, alteration, service or maintenance can cause property damage or personal injury. Installation and service must be performed by a qualified installer and servicing agency