



**SUBMITTAL DATA – CASSETTE TYPE
LIHP012000T431E - LICH4012021T431E-1
SINGLE ZONE INVERTER MINI-SPLIT HEAT PUMP**

Job: _____
Location: _____
Schedule No.: _____
System Designation: _____

Engineer: _____
Architect: _____
Date: _____

FEATURES

Outdoor Unit: **LIHP012000T431E**
Outdoor Unit Cat Number: **Y8192**

Indoor Unit: **LICH4012021T431E-1**
Indoor Unit Cat Number: **Y8187**



- DC ODU Motor
- Golden Fin



- Auto Restart
- Washable filter
- 360° Air Flow Panel
- Follow Me function
- Wireless Remote Included
- Water Pump Build In

PIPING

Line Set and Elevation Guidelines	
Maximum Line Set Length ft. (m)	82 ft. (25 m)
Maximum Elevation - Outdoor Unit Below/Above Indoor Unit ft. (m)	33 ft. (10 m)
Liquid Line Set Diameter (in.)	1/4"
Gas Line Set Diameter (in.)	3/8"

PRODUCT WARRANTY

5 Year Limited Warranty*

OPTIONAL ACCESORIES

Wired Control (21F37, KJR-120G2/TFBG-E-02)



NOTE – Due to Lennox' ongoing commitment to quality, Specifications, Ratings, and Dimensions are subject to change without notice and without incurring liability. Improper installation, adjustment, alteration, service or maintenance can cause property damage or personal injury. Installation and service must be performed by a qualified installer and servicing agency



SUBMITTAL DATA – CASSETTE TYPE
LIHP012000T431E - LICH4012021T431E-1
SINGLE ZONE INVERTER MINI-SPLIT HEAT PUMP

OUTDOOR SPECIFICATIONS

PERFORMANCE

Cooling Capacity (Btu/h)	12,000
EER(W/W)	3.26
ESEER(BTUH/W)	20.8
Heating Capacity (Btu/h)	14,000
SCOP	4.0

Outdoor Fan Total Air Volume (CFM)	1,176
Ambient Temperature Operating Range	
Cooling	5°F(-15°C) - 122°F(50°C)
Heating	5°F(-15°C) - 75°F(24°C)

ELECTRICAL DATA

Power Supply (V/Hz/ϕ)	220-240/50/1
Minimum Circuit Ampacity (A)	/
Maximum Overcurrent Protection (A)	/
Outdoor Fan Motor RLA (A)	.56
Compressor RLA (A)	5.35
No. of Compressors	1

GENERAL DATA

Connection Ratio (%)	100%
Max. # of Indoor Units	1
Sound Data (dBA) - Cooling/Heating	56
Refrigerant type	R-410A
Factory refrigerant charge	2.31 lbs. 37 oz.

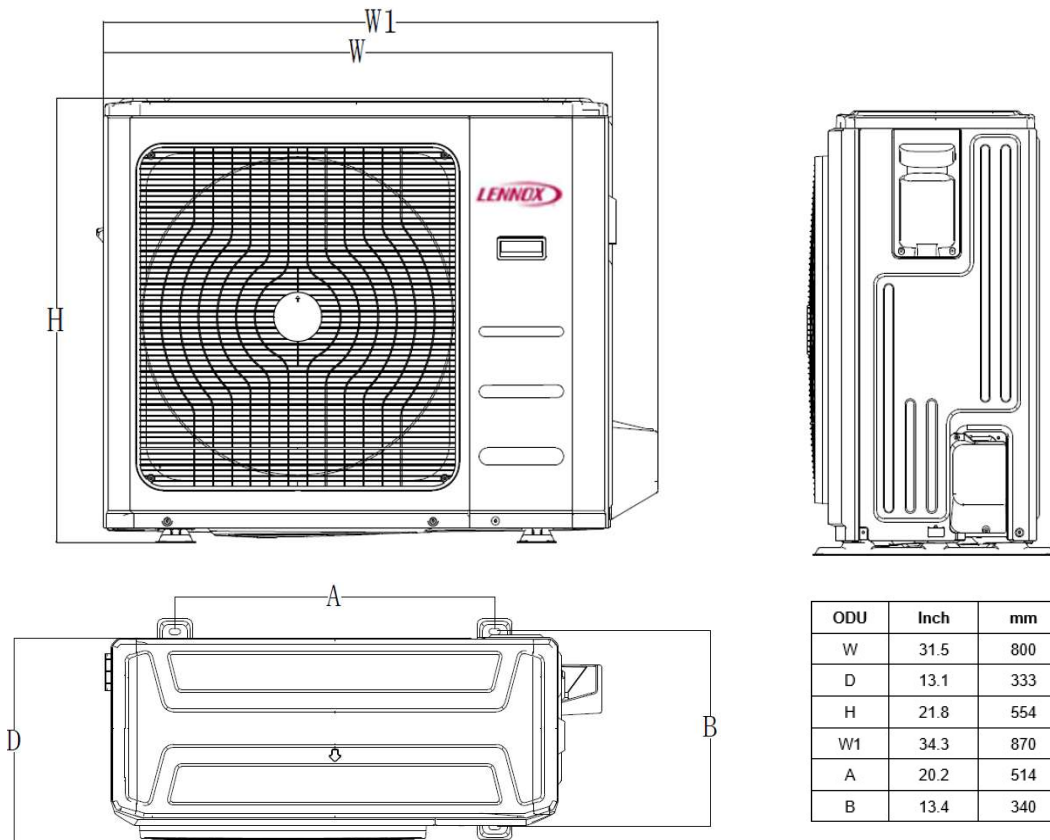
DIMENSIONS

Unit Dimensions (in)	Height	21.8
	Width	31.5
	Depth	13.1
Shipping Weight (lb)		71.9
Net Weight (lb)		65.9

NOTES

Cooling and Heating Capacity data is rated at the following conditions:
 Cooling: 80°FDB / 67°FWB Indoor, 95°FDB/ 75°FWB Outdoor
 Heating: 70°FDB / 60°FWB Indoor, 47°FDB/ 43°FWB Outdoor

OUTDOOR DIMENSIONAL DRAWINGS - INCHES (MM)



NOTE – Due to Lennox' ongoing commitment to quality, Specifications, Ratings, and Dimensions are subject to change without notice and without incurring liability. Improper installation, adjustment, alteration, service or maintenance can cause property damage or personal injury. Installation and service must be performed by a qualified installer and servicing agency



**SUBMITTAL DATA – CASSETTE TYPE
LIHP012000T431E - LICH4012021T431E-1
SINGLE ZONE INVERTER MINI-SPLIT HEAT PUMP**

INDOOR SPECIFICATIONS

PERFORMANCE		
Airflow (CFM)	Turbo	/
	High	363
	Medium	296
	Low	245
External Static Pressure (in. w.g.)		
-		
Sound Pressure (dBA)	Turbo	/
	High	43
	Medium	39
	Low	35

ELECTRICAL DATA

Power Supply (V/Hz/φ)	220-240/50/1
Rated load amps (RLA)	.47
Power Output (W)	46

DIMENSIONS

Unit Dimensions (in)	Height	10.2
	Width	22.4
	Depth	22.4
Unit Net/Shipping Weight (lb)		36.3/41.8

WIRELESS REMOTE CONTROLLER SPECIFICATIONS

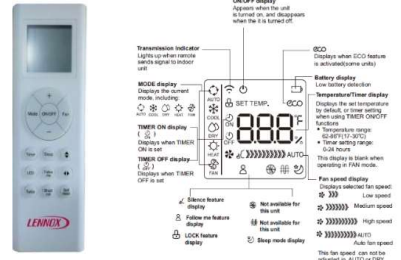
21F34 (RG66A1/BGEF)

Power Supply	2 AAA Batteries (Included)
--------------	-------------------------------

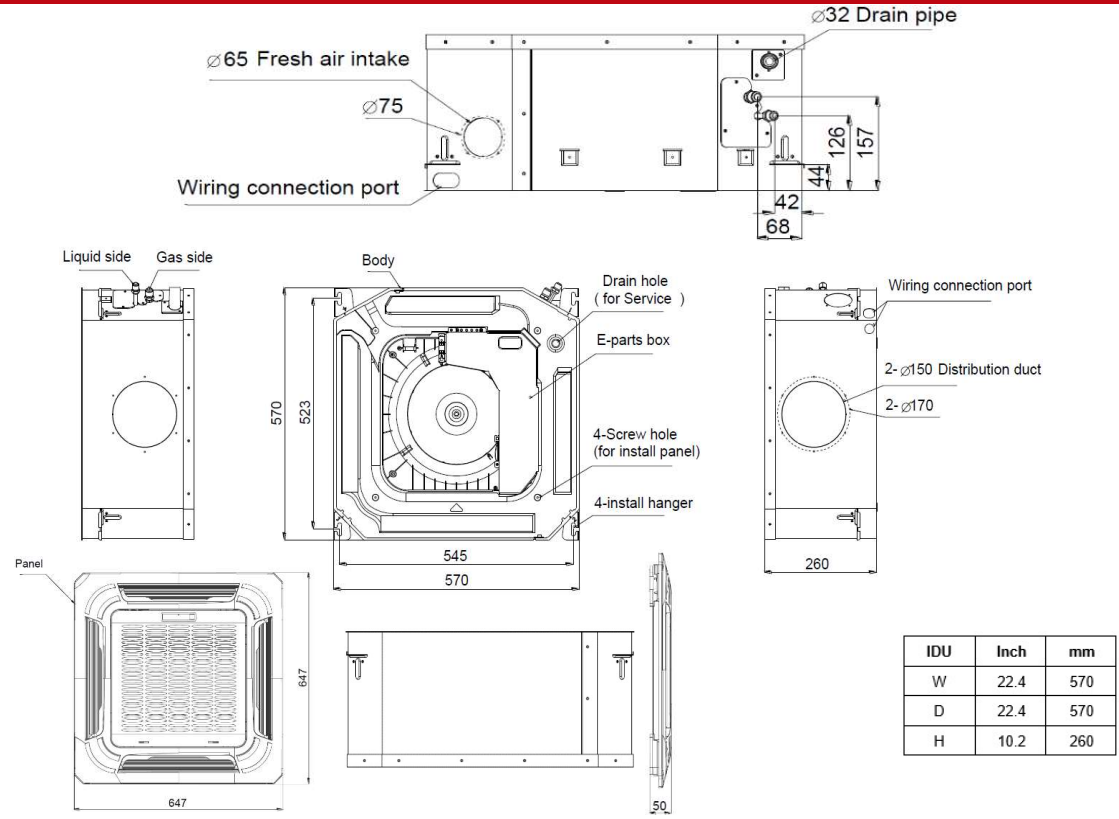
Setpoint Range	62°F(17°C) - 86°F(30°C)
----------------	-------------------------

Effective Receiving Range	26 ft.(8m)
---------------------------	------------

DISPLAY



INDOOR DIMENSIONAL DRAWINGS - INCHES (MM)



NOTE – Due to Lennox’ ongoing commitment to quality, Specifications, Ratings, and Dimensions are subject to change without notice and without incurring liability. Improper installation, adjustment, alteration, service or maintenance can cause property damage or personal injury. Installation and service must be performed by a qualified installer and servicing agency