



**SUBMITTAL DATA – CASSETTE TYPE
LIHP018000T431E - LICH4018021T431E
SINGLE ZONE INVERTER MINI-SPLIT HEAT PUMP**

Job: _____
Location: _____
Schedule No.: _____
System Designation: _____

Engineer: _____
Architect: _____
Date: _____

FEATURES

Outdoor Unit: **LIHP018000T431E**
Outdoor Unit Cat Number: **Y8193**

Indoor Unit: **LICH4018021T431E**
Indoor Unit Cat Number: **Y8188**



- DC ODU Motor
- Golden Fin



- Auto Restart
- Washable filter
- 360° Air Flow Panel
- Follow Me function
- Wireless Remote Included
- Water Pump Build In

PIPING

| Line Set and Elevation Guidelines | |
|--|-----------------|
| Maximum Line Set Length ft. (m) | 98.4 ft. (30 m) |
| Maximum Elevation - Outdoor Unit Below/Above Indoor Unit ft. (m) | 65.6 ft. (20 m) |
| Liquid Line Set Diameter (in.) | 1/4" |
| Gas Line Set Diameter (in.) | 1/2" |

PRODUCT WARRANTY

5 Year Limited Warranty*

OPTIONAL ACCESORIES

Wired Control (21F37, KJR-120G2/TFBG-E-02)



NOTE – Due to Lennox' ongoing commitment to quality, Specifications, Ratings, and Dimensions are subject to change without notice and without incurring liability. Improper installation, adjustment, alteration, service or maintenance can cause property damage or personal injury. Installation and service must be performed by a qualified installer and servicing agency



**SUBMITTAL DATA – CASSETTE TYPE
LIHP018000T431E - LICH4018021T431E
SINGLE ZONE INVERTER MINI-SPLIT HEAT PUMP**

OUTDOOR SPECIFICATIONS

PERFORMANCE

| | |
|--------------------------|--------|
| Cooling Capacity (Btu/h) | 18,000 |
| EER(W/W) | 3.21 |
| SEER(BTUH/W) | 21.5 |
| Heating Capacity (Btu/h) | 19,000 |
| SCOP | 4.0 |

| | |
|-------------------------------------|--------------------------|
| Outdoor Fan Total Air Volume (CFM) | 1,235 |
| Ambient Temperature Operating Range | |
| Cooling | 5°F(-15°C) - 122°F(50°C) |
| Heating | 5°F(-15°C) - 75°F(24°C) |

ELECTRICAL DATA

| | |
|------------------------------------|--------------|
| Power Supply (V/Hz/ϕ) | 220-240/50/1 |
| Minimum Circuit Ampacity (A) | / |
| Maximum Overcurrent Protection (A) | / |
| Outdoor Fan Motor RLA (A) | .56 |
| Compressor RLA (A) | 7.32 |
| No. of Compressors | 1 |

GENERAL DATA

| | |
|------------------------------------|------------------|
| Connection Ratio (%) | 100% |
| Max. # of Indoor Units | 1 |
| Sound Data (dBA) - Cooling/Heating | 57 |
| Refrigerant type | R-410A |
| Factory refrigerant charge | 3.26 lbs. 52 oz. |

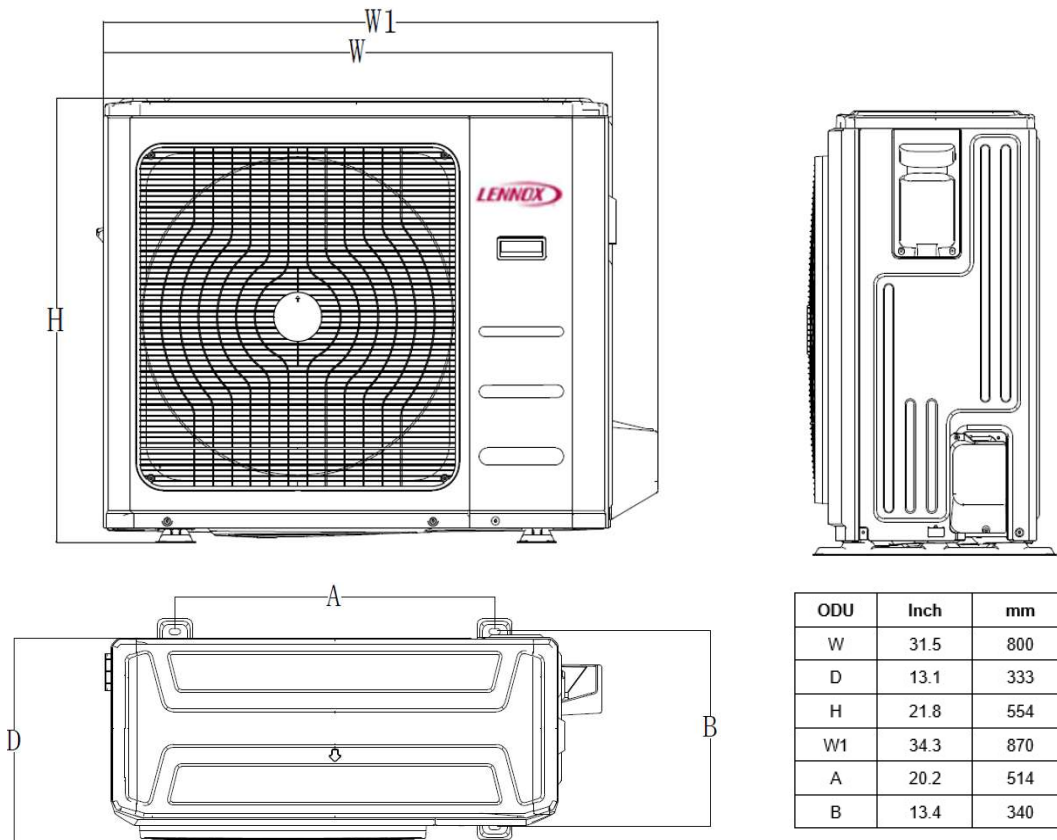
DIMENSIONS

| | | |
|----------------------|--------|------|
| Unit Dimensions (in) | Height | 21.8 |
| | Width | 31.5 |
| | Depth | 13.1 |
| Shipping Weight (lb) | | 84.5 |
| Net Weight (lb) | | 78.1 |

NOTES

Cooling and Heating Capacity data is rated at the following conditions:
Cooling: 80°FDB / 67°FWB Indoor, 95°FDB/ 75°FWB Outdoor
Heating: 70°FDB / 60°FWB Indoor, 47°FDB/ 43°FWB Outdoor

OUTDOOR DIMENSIONAL DRAWINGS - INCHES (MM)



NOTE – Due to Lennox' ongoing commitment to quality, Specifications, Ratings, and Dimensions are subject to change without notice and without incurring liability. Improper installation, adjustment, alteration, service or maintenance can cause property damage or personal injury. Installation and service must be performed by a qualified installer and servicing agency



**SUBMITTAL DATA – CASSETTE TYPE
LIHP018000T431E - LICH4018021T431E
SINGLE ZONE INVERTER MINI-SPLIT HEAT PUMP**

INDOOR SPECIFICATIONS

PERFORMANCE

| | | |
|-------------------------------------|--------|-----|
| Airflow (CFM) | Turbo | / |
| | High | 388 |
| | Medium | 324 |
| | Low | 288 |
| External Static Pressure (in. w.g.) | | - |
| Sound Pressure (dBA) | Turbo | / |
| | High | 46 |
| | Medium | 42 |
| | Low | 38 |

ELECTRICAL DATA

| | |
|-----------------------|--------------|
| Power Supply (V/Hz/ϕ) | 220-240/50/1 |
| Rated load amps (RLA) | .47 |
| Power Output (W) | 46 |

DIMENSIONS

| | | |
|-------------------------------|--------|-----------|
| Unit Dimensions (in) | Height | 10.2 |
| | Width | 22.4 |
| | Depth | 22.4 |
| Unit Net/Shipping Weight (lb) | | 36.3/41.8 |

WIRELESS REMOTE CONTROLLER SPECIFICATIONS

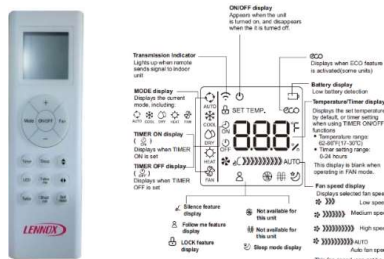
21F34 (RG66A1/BGEF)

| | |
|--------------|-------------------------------|
| Power Supply | 2 AAA Batteries (Included) |
|--------------|-------------------------------|

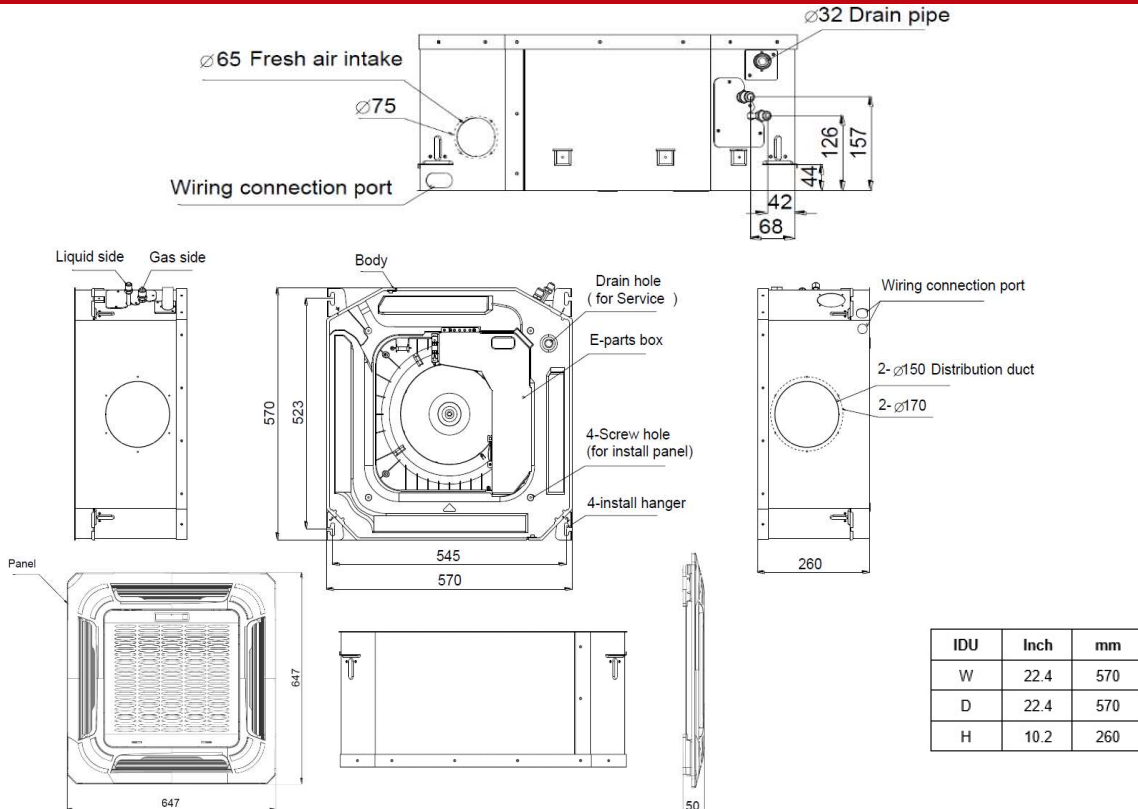
| | |
|----------------|-------------------------|
| Setpoint Range | 62°F(17°C) - 86°F(30°C) |
|----------------|-------------------------|

| | |
|---------------------------|------------|
| Effective Receiving Range | 26 ft.(8m) |
|---------------------------|------------|

DISPLAY



INDOOR DIMENSIONAL DRAWINGS - INCHES (MM)



NOTE – Due to Lennox' ongoing commitment to quality, Specifications, Ratings, and Dimensions are subject to change without notice and without incurring liability. Improper installation, adjustment, alteration, service or maintenance can cause property damage or personal injury. Installation and service must be performed by a qualified installer and servicing agency