



**SUBMITTAL DATA – CASSETTE TYPE  
LIHP036000M431E - LICH4036021T431E-1  
3 PHASE INVERTER MINI-SPLIT HEAT PUMP**

Job: \_\_\_\_\_  
Location: \_\_\_\_\_  
Schedule No.: \_\_\_\_\_  
System Designation: \_\_\_\_\_

Engineer: \_\_\_\_\_  
Architect: \_\_\_\_\_  
Date: \_\_\_\_\_

**FEATURES**

Outdoor Unit: **LIHP036000M431E**  
Outdoor Unit Cat Number: **Y8387**

Indoor Unit: **LICH4036021T431E-1**  
Indoor Unit Cat Number: **Y8918**



- DC ODU Motor
- Golden Fin



- Auto Restart
- Washable filter
- 360° Air Flow Panel
- Follow Me function
- Wireless Remote Included
- Water Pump Build In

**PIPING**

**Line Set and Elevation Guidelines**

Maximum Line Set Length ft. (m)	213.2 ft. (65 m)
Maximum Elevation - Outdoor Unit Below/Above Indoor Unit ft. (m)	98.4 ft. (30 m)
Liquid Line Set Diameter (in.)	3/8"
Gas Line Set Diameter (in.)	5/8"

**PRODUCT WARRANTY**

5 Year Limited Warranty\*

**OPTIONAL ACCESORIES**

Wired Control (21F37, KJR-120G2/TFBG-E-02)



**NOTE** – Due to Lennox' ongoing commitment to quality, Specifications, Ratings, and Dimensions are subject to change without notice and without incurring liability. Improper installation, adjustment, alteration, service or maintenance can cause property damage or personal injury. Installation and service must be performed by a qualified installer and servicing agency



**SUBMITTAL DATA – CASSETTE TYPE**  
**LIHP036000M431E - LICH4036021T431E-1**  
**3 PHASE INVERTER MINI-SPLIT HEAT PUMP**

**OUTDOOR SPECIFICATIONS**

**PERFORMANCE**

Cooling Capacity (Btu/h)	36,000
EER(W/W)	2.6
ESEER(BTUH/W)	20.8
Heating Capacity (Btu/h)	38,000
SCOP	4.0

Outdoor Fan Total Air Volume (CFM)	2,529
Ambient Temperature Operating Range	
Cooling	5°F(-15°C) - 122°F(50°C)
Heating	5°F(-15°C) - 75°F(24°C)

**ELECTRICAL DATA**

Power Supply (V/Hz/ϕ)	380-415/50/3
Minimum Circuit Ampacity (A)	/
Maximum Overcurrent Protection (A)	/
Outdoor Fan Motor RLA (A)	1.21
Compressor RLA (A)	5.1
No. of Compressors	1

**GENERAL DATA**

Connection Ratio (%)	100%
Max. # of Indoor Units	1
Sound Data (dBA) - Cooling/Heating	62
Refrigerant type	R-410A
Factory refrigerant charge	7.04 lbs. 112.6 oz.

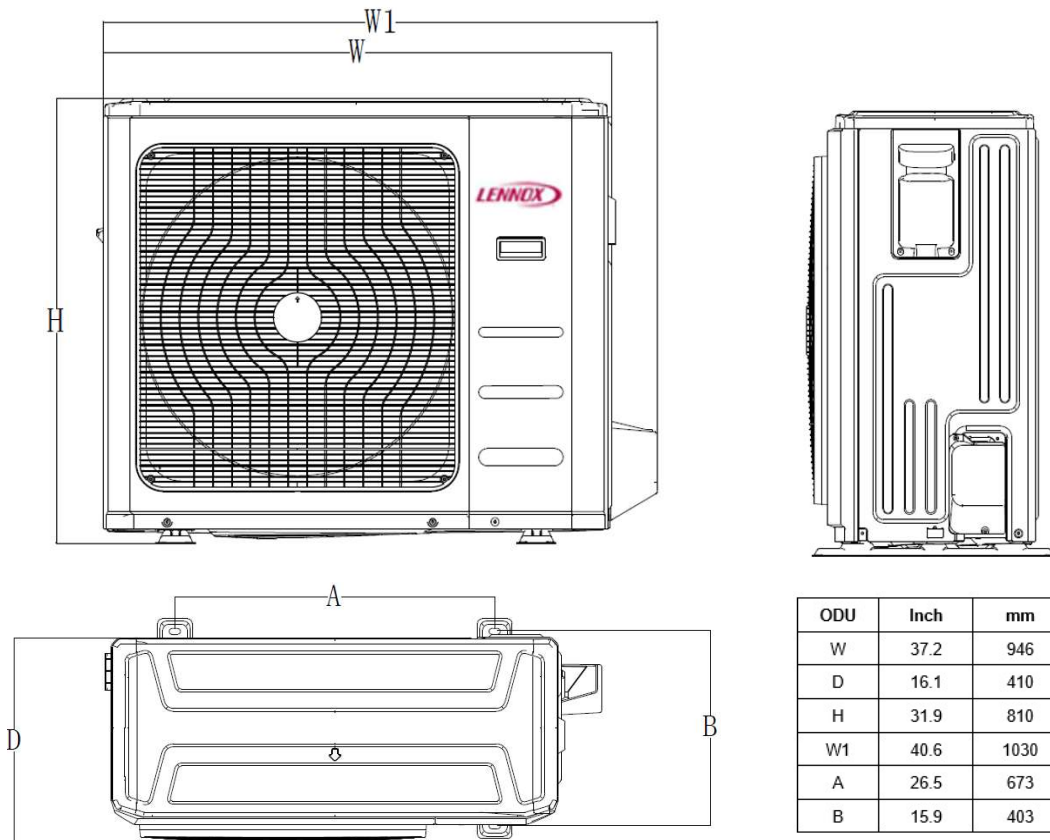
**DIMENSIONS**

Unit Dimensions (in)	Height	31.9
	Width	37.2
	Depth	16.1
Shipping Weight (lb)		184.6
Net Weight (lb)		173.6

**NOTES**

Cooling and Heating Capacity data is rated at the following conditions:  
 Cooling: 80°FDB / 67°FWB Indoor, 95°FDB/ 75°FWB Outdoor  
 Heating: 70°FDB / 60°FWB Indoor, 47°FDB/ 43°FWB Outdoor

**OUTDOOR DIMENSIONAL DRAWINGS - INCHES (MM)**



**NOTE** – Due to Lennox' ongoing commitment to quality, Specifications, Ratings, and Dimensions are subject to change without notice and without incurring liability. Improper installation, adjustment, alteration, service or maintenance can cause property damage or personal injury. Installation and service must be performed by a qualified installer and servicing agency

