



**SUBMITTAL DATA – CASSETTE TYPE  
LIHP048000M431E - LICH4048021T431E-1  
3 PHASE INVERTER MINI-SPLIT HEAT PUMP**

Job: \_\_\_\_\_  
Location: \_\_\_\_\_  
Schedule No.: \_\_\_\_\_  
System Designation: \_\_\_\_\_

Engineer: \_\_\_\_\_  
Architect: \_\_\_\_\_  
Date: \_\_\_\_\_

**FEATURES**

Outdoor Unit: **LIHP048000M431E**  
Outdoor Unit Cat Number: **Y8195**



- DC ODU Motor
- Golden Fin

Indoor Unit: **LICH4048021T431E-1**  
Indoor Unit Cat Number: **Y8919**



- Auto Restart
- Washable filter
- 360° Air Flow Panel
- Follow Me function
- Wireless Remote Included
- Water Pump Build In

**PIPING**

Line Set and Elevation Guidelines

Maximum Line Set Length ft. (m)	213.2 ft. (65 m)
Maximum Elevation - Outdoor Unit Below/Above Indoor Unit ft. (m)	98.4 ft. (30 m)
Liquid Line Set Diameter (in.)	3/8"
Gas Line Set Diameter (in.)	5/8"

**PRODUCT WARRANTY**

5 Year Limited Warranty\*

**OPTIONAL ACCESORIES**

Wired Control (21F37, KJR-120G2/TFBG-E-02)



**NOTE** – Due to Lennox' ongoing commitment to quality, Specifications, Ratings, and Dimensions are subject to change without notice and without incurring liability. Improper installation, adjustment, alteration, service or maintenance can cause property damage or personal injury. Installation and service must be performed by a qualified installer and servicing agency



**SUBMITTAL DATA – CASSETTE TYPE**  
**LIHP048000M431E - LICH4048021T431E-1**  
**3 PHASE INVERTER MINI-SPLIT HEAT PUMP**

**OUTDOOR SPECIFICATIONS**

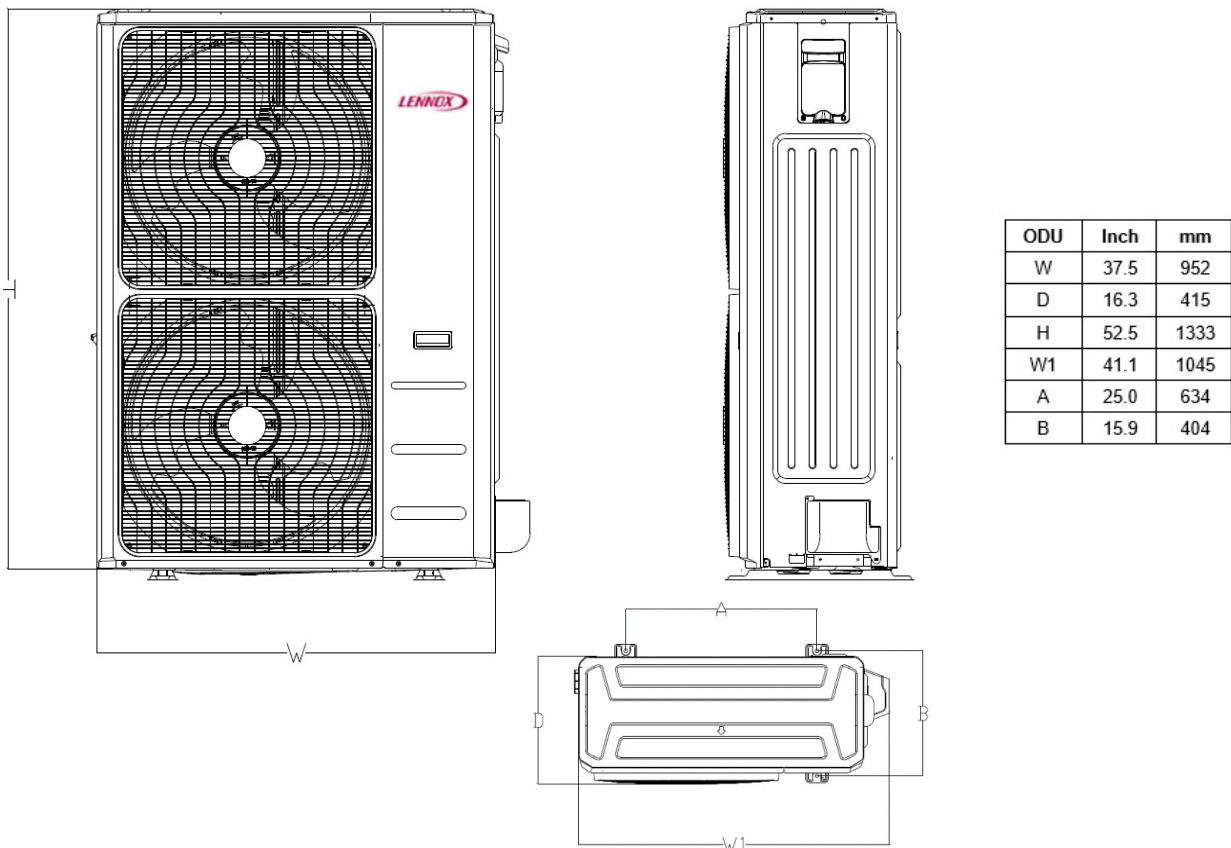
PERFORMANCE	
Cooling Capacity (Btu/h)	48,000
EER(W/W)	2.61
ESEER(BTUH/W)	19.1
Heating Capacity (Btu/h)	55,000
SCOP	4.0
Outdoor Fan Total Air Volume (CFM)	4,000
Ambient Temperature Operating Range	
Cooling	5°F(-15°C) - 122°F(50°C)
Heating	5°F(-15°C) - 75°F(24°C)
ELECTRICAL DATA	
Power Supply (V/Hz/ϕ)	380-415/50/3
Minimum Circuit Ampacity (A)	/
Maximum Overcurrent Protection (A)	/
Outdoor Fan Motor RLA (A)	1.08
Compressor RLA (A)	6.85
No. of Compressors	1

GENERAL DATA	
Connection Ratio (%)	100%
Max. # of Indoor Units	1
Sound Data (dBA) - Cooling/Heating	65
Refrigerant type	R-410A
Factory refrigerant charge	8.8 lbs. 140.8 oz.

DIMENSIONS		
Unit Dimensions (in)	Height	52.5
	Width	37.5
	Depth	16.3
Shipping Weight (lb)		267.2
Net Weight (lb)		238.3

**NOTES**  
Cooling and Heating Capacity data is rated at the following conditions:  
Cooling: 80°FDB / 67°FWB Indoor, 95°FDB/ 75°FWB Outdoor  
Heating: 70°FDB / 60°FWB Indoor, 47°FDB/ 43°FWB Outdoor

**OUTDOOR DIMENSIONAL DRAWINGS - INCHES (MM)**



**NOTE** – Due to Lennox' ongoing commitment to quality, Specifications, Ratings, and Dimensions are subject to change without notice and without incurring liability. Improper installation, adjustment, alteration, service or maintenance can cause property damage or personal injury. Installation and service must be performed by a qualified installer and servicing agency



**SUBMITTAL DATA – CASSETTE TYPE  
LIHP048000M431E - LICH4048021T431E-1  
3 PHASE INVERTER MINI-SPLIT HEAT PUMP**

**INDOOR SPECIFICATIONS**

**PERFORMANCE**

Airflow (CFM)	Turbo	/
	High	1009
	Medium	922
	Low	812
External Static Pressure (in. w.g.)		-
Sound Pressure (dBA)	Turbo	/
	High	52
	Medium	50
	Low	49

**ELECTRICAL DATA**

Power Supply (V/Hz/φ)	220-240/50/1
Rated load amps (RLA)	.8
Power Output (W)	124

**DIMENSIONS**

Unit Dimensions (in)	Height	11.3
	Width	33.1
	Depth	33.1
Unit Net/Shipping Weight (lb)		63.9/72.1

**WIRELESS REMOTE CONTROLLER SPECIFICATIONS**

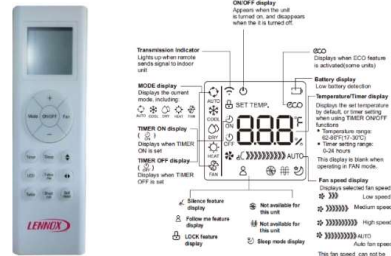
**21F34 (RG66A1/BGEF)**

Power Supply	2 AAA Batteries (Included)
--------------	-------------------------------

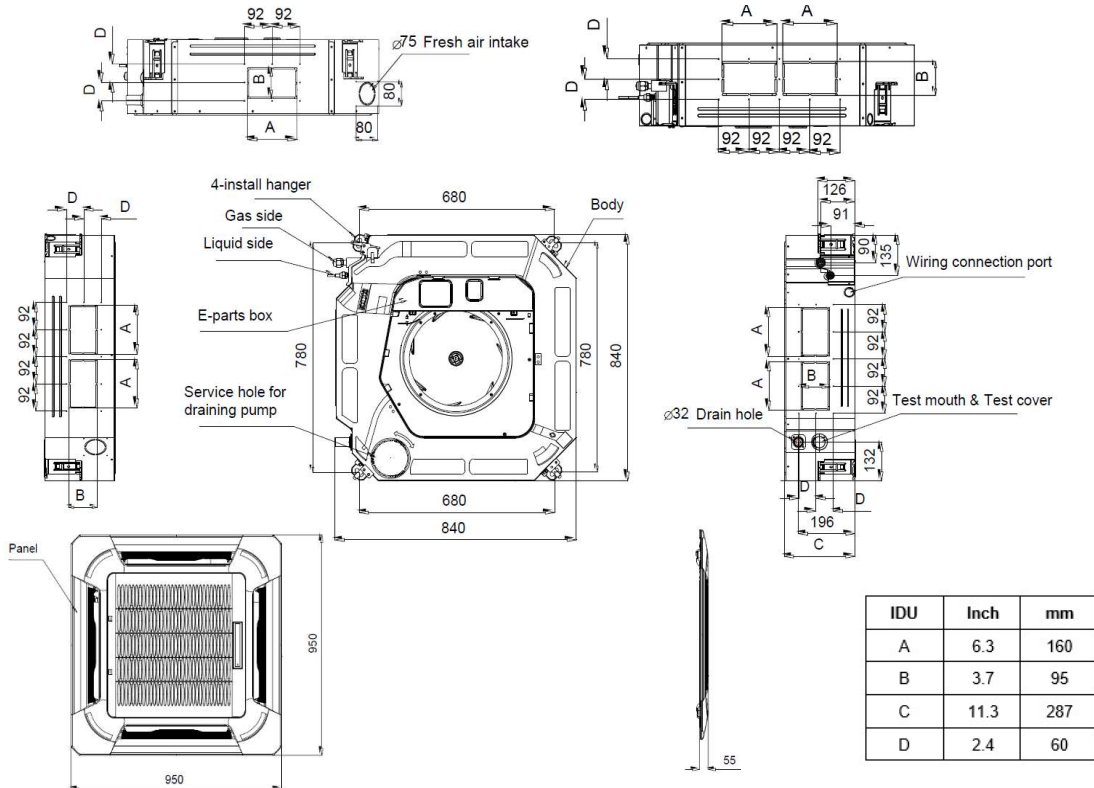
Setpoint Range	62°F(17°C) - 86°F(30°C)
----------------	-------------------------

Effective Receiving Range	26 ft.(8m)
---------------------------	------------

**DISPLAY**



**INDOOR DIMENSIONAL DRAWINGS - INCHES (MM)**



**NOTE** – Due to Lennox' ongoing commitment to quality, Specifications, Ratings, and Dimensions are subject to change without notice and without incurring liability. Improper installation, adjustment, alteration, service or maintenance can cause property damage or personal injury. Installation and service must be performed by a qualified installer and servicing agency