



**SUBMITTAL DATA – FAN COIL
LIHP012000T431E - LIFHC012021T431E-1
SINGLE ZONE INVERTER MINI-SPLIT HEAT PUMP**

Job: _____
Location: _____
Schedule No.: _____
System Designation: _____

Engineer: _____
Architect: _____
Date: _____

FEATURES

Outdoor Unit: **LIHP012000T431E**
Outdoor Unit Cat Number: **Y8192**

Indoor Unit: **LIFHC012021T431E-1**
Indoor Unit Cat Number: **Y8911**



- DC ODU Motor
- Golden Fin



- Auto Restart
- DC IDU Motor
- Washable Filter Included
- Wireless Control Included
- Wired Control Included

PIPING

Line Set and Elevation Guidelines	
Maximum Line Set Length ft. (m)	82 ft. (25 m)
Maximum Elevation - Outdoor Unit Below/Above Indoor Unit ft. (m)	33 ft. (10 m)
Liquid Line Set Diameter (in.)	1/4"
Gas Line Set Diameter (in.)	3/8"

PRODUCT WARRANTY

5 Year Limited Warranty*

OPTIONAL ACCESORIES



NOTE – Due to Lennox' ongoing commitment to quality, Specifications, Ratings, and Dimensions are subject to change without notice and without incurring liability. Improper installation, adjustment, alteration, service or maintenance can cause property damage or personal injury. Installation and service must be performed by a qualified installer and servicing agency



**SUBMITTAL DATA – FAN COIL
LIHP012000T431E - LIFHC012021T431E-1
SINGLE ZONE INVERTER MINI-SPLIT HEAT PUMP**

OUTDOOR SPECIFICATIONS

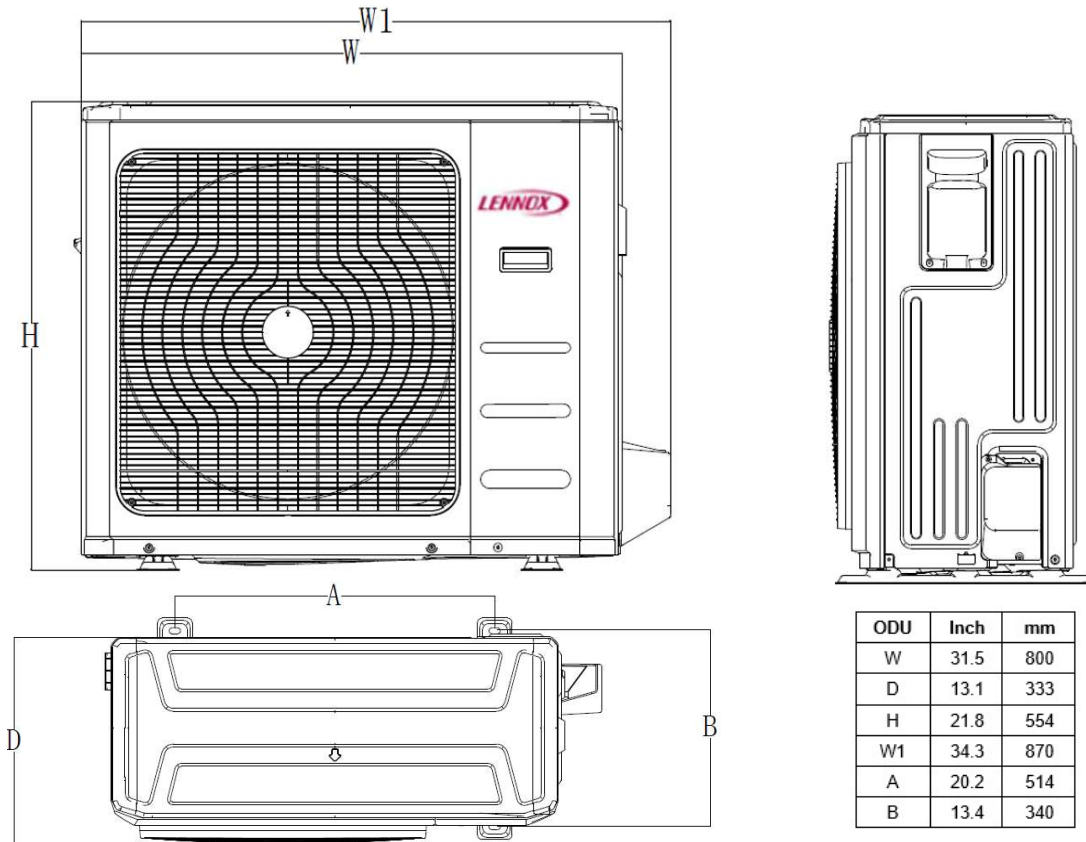
PERFORMANCE	
Cooling Capacity (Btu/h)	12,000
EER(W/W)	2.71
ESEER(BTUH/W)	19.1
Heating Capacity (Btu/h)	13,000
SCOP	4.0
Outdoor Fan Total Air Volume (CFM)	1,176
Ambient Temperature Operating Range	
Cooling	5°F(-15°C) - 122°F(50°C)
Heating	5°F(-15°C) - 75°F(24°C)
ELECTRICAL DATA	
Power Supply (V/Hz/ϕ)	220-240/50/1
Minimum Circuit Ampacity (A)	/
Maximum Overcurrent Protection (A)	/
Outdoor Fan Motor RLA (A)	.56
Compressor RLA (A)	5.35
No. of Compressors	1

GENERAL DATA	
Connection Ratio (%)	100%
Max. # of Indoor Units	1
Sound Data (dBA) - Cooling/Heating	56
Refrigerant type	R-410A
Factory refrigerant charge	2.32 lbs. 37 oz.

DIMENSIONS		
Unit Dimensions (in)	Height	21.8
	Width	31.5
	Depth	13.1
Shipping Weight (lb)		71.9
Net Weight (lb)		65.9

NOTES
Cooling and Heating Capacity data is rated at the following conditions:
Cooling: 80°FDB / 67°FWB Indoor, 95°FDB/ 75°FWB Outdoor
Heating: 70°FDB / 60°FWB Indoor, 47°FDB/ 43°FWB Outdoor

OUTDOOR DIMENSIONAL DRAWINGS - INCHES (MM)

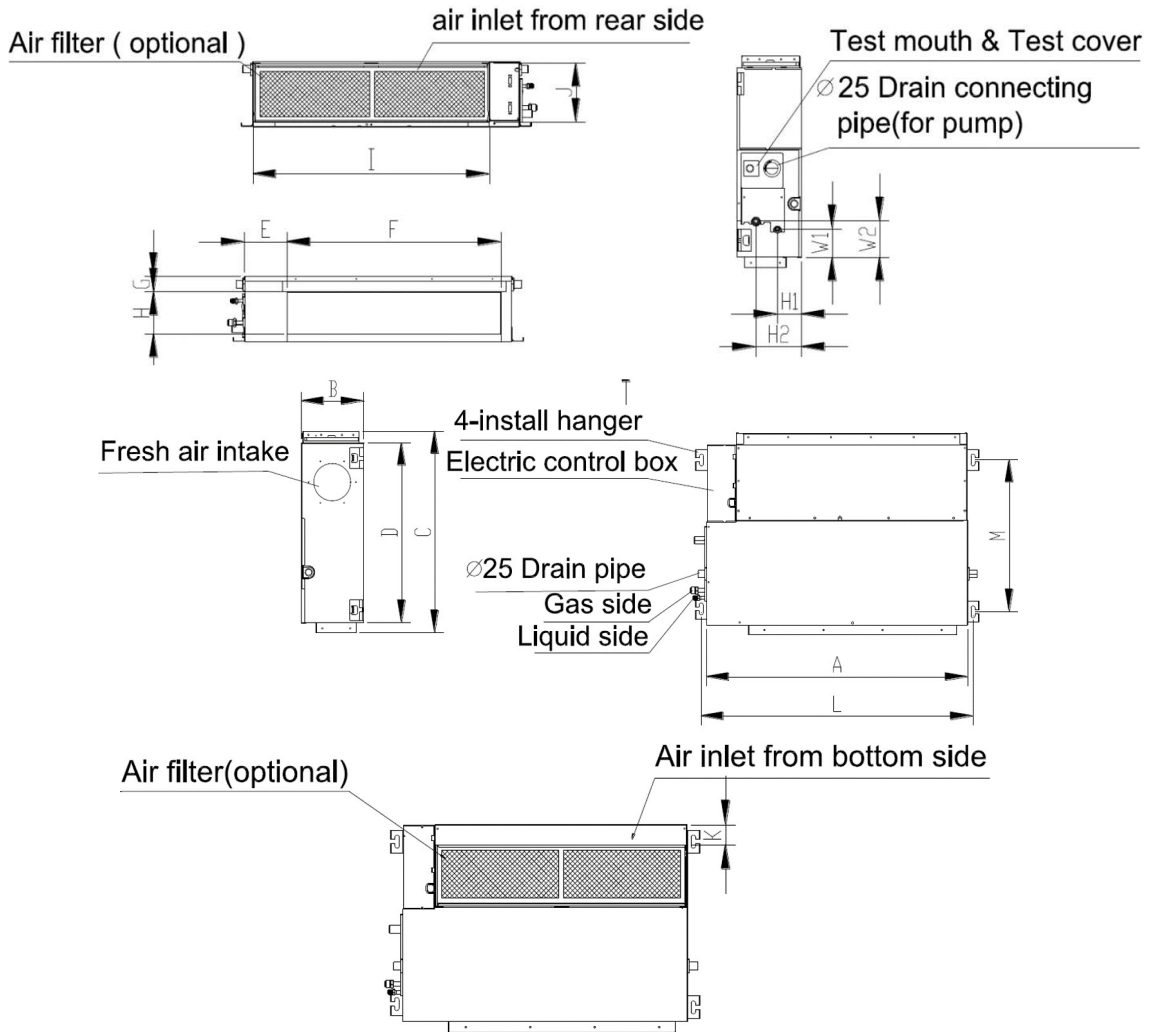


NOTE – Due to Lennox' ongoing commitment to quality, Specifications, Ratings, and Dimensions are subject to change without notice and without incurring liability. Improper installation, adjustment, alteration, service or maintenance can cause property damage or personal injury. Installation and service must be performed by a qualified installer and servicing agency



**SUBMITTAL DATA – FAN COIL
LIHP012000T431E - LIFHC012021T431E-1
SINGLE ZONE INVERTER MINI-SPLIT HEAT PUMP**

INDOOR DIMENSIONAL DRAWINGS - INCHES (MM)



IDU	UNIT	A	B	C	D	E	F	G	H	I	J	K	L	M	H1	H2	W1	W2
12K	mm	700	200	506	450	137	537	30	152	599	186	50	741	360	84	140	84	84
	inch	27.6	7.9	19.9	17.7	5.4	21.1	1.2	6.0	23.6	7.3	2.0	29.2	14.2	3.3	5.5	3.3	3.3

NOTE – Due to Lennox' ongoing commitment to quality, Specifications, Ratings, and Dimensions are subject to change without notice and without incurring liability. Improper installation, adjustment, alteration, service or maintenance can cause property damage or personal injury. Installation and service must be performed by a qualified installer and servicing agency