



**SUBMITTAL DATA – FAN COIL
LIHP036000T431E - LIFHC036021T431E-1
SINGLE ZONE INVERTER MINI-SPLIT HEAT PUMP**

Job: _____
Location: _____
Schedule No.: _____
System Designation: _____

Engineer: _____
Architect: _____
Date: _____

FEATURES

Outdoor Unit: **LIHP036000T431E**
Outdoor Unit Cat Number: **Y7878**

Indoor Unit: **LIFHC036021T431E-1**
Indoor Unit Cat Number: **Y8914**



- DC ODU Motor
- Golden Fin



- Auto Restart
- DC IDU Motor
- Washable Filter Included
- Wireless Control Included
- Wired Control Included

PIPING

Line Set and Elevation Guidelines

Maximum Line Set Length ft. (m)	213.2 ft. (65 m)
Maximum Elevation - Outdoor Unit Below/Above Indoor Unit ft. (m)	98.4 ft. (30 m)
Liquid Line Set Diameter (in.)	3/8"
Gas Line Set Diameter (in.)	5/8"

PRODUCT WARRANTY

5 Year Limited Warranty*

OPTIONAL ACCESORIES



NOTE – Due to Lennox’ ongoing commitment to quality, Specifications, Ratings, and Dimensions are subject to change without notice and without incurring liability. Improper installation, adjustment, alteration, service or maintenance can cause property damage or personal injury. Installation and service must be performed by a qualified installer and servicing agency



SUBMITTAL DATA – FAN COIL
LIHP036000T431E - LIFHC036021T431E-1
SINGLE ZONE INVERTER MINI-SPLIT HEAT PUMP

OUTDOOR SPECIFICATIONS

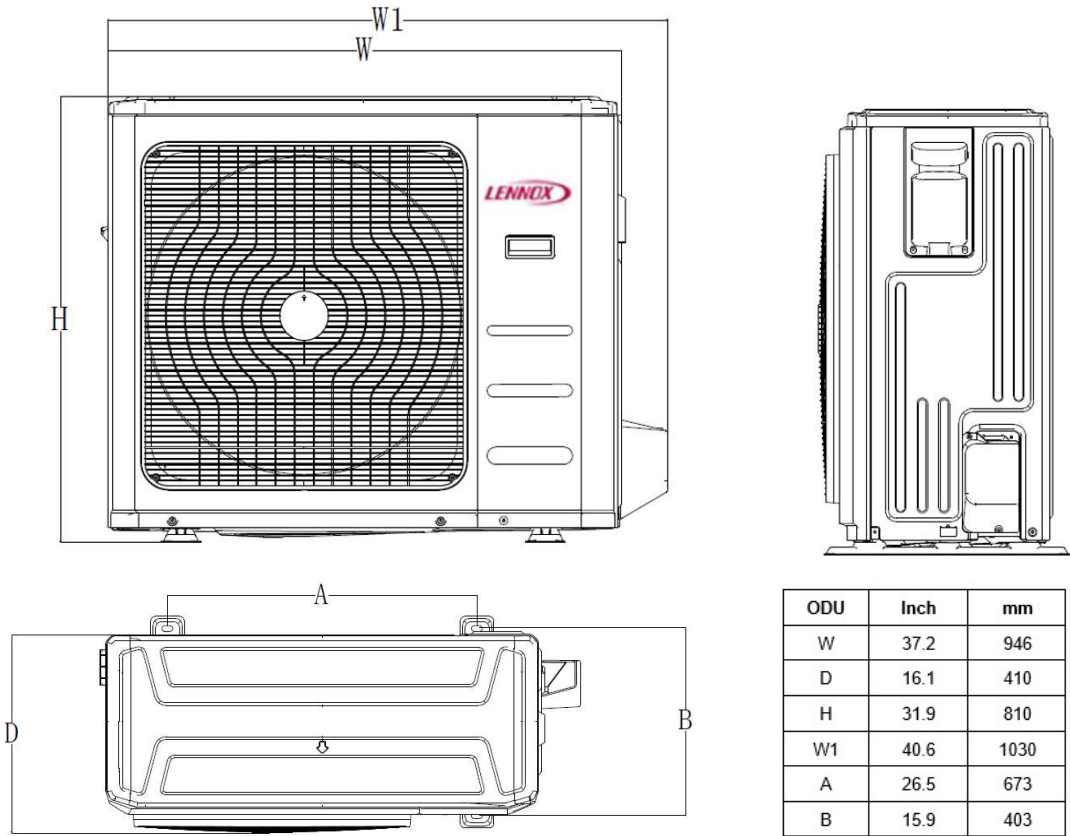
PERFORMANCE	
Cooling Capacity (Btu/h)	36,000
EER(W/W)	2.6
ESEER(BTUH/W)	20.8
Heating Capacity (Btu/h)	38,000
SCOP	4.0
Outdoor Fan Total Air Volume (CFM)	2,529
Ambient Temperature Operating Range	
Cooling	5°F(-15°C) - 122°F(50°C)
Heating	5°F(-15°C) - 75°F(24°C)
ELECTRICAL DATA	
Power Supply (V/Hz/ϕ)	220-240/50/1
Minimum Circuit Ampacity (A)	/
Maximum Overcurrent Protection (A)	/
Outdoor Fan Motor RLA (A)	1.21
Compressor RLA (A)	5.1
No. of Compressors	1

GENERAL DATA	
Connection Ratio (%)	100%
Max. # of Indoor Units	1
Sound Data (dBA) - Cooling/Heating	61
Refrigerant type	R-410A
Factory refrigerant charge	7.04 lbs. 112.6 oz.

DIMENSIONS		
Unit Dimensions (in)	Height	31.9
	Width	37.2
	Depth	16.1
Shipping Weight (lb)		160.7
Net Weight (lb)		148.2

NOTES
Cooling and Heating Capacity data is rated at the following conditions:
Cooling: 80°FDB / 67°FWB Indoor, 95°FDB/ 75°FWB Outdoor
Heating: 70°FDB / 60°FWB Indoor, 47°FDB/ 43°FWB Outdoor

OUTDOOR DIMENSIONAL DRAWINGS - INCHES (MM)



NOTE – Due to Lennox' ongoing commitment to quality, Specifications, Ratings, and Dimensions are subject to change without notice and without incurring liability. Improper installation, adjustment, alteration, service or maintenance can cause property damage or personal injury. Installation and service must be performed by a qualified installer and servicing agency



**SUBMITTAL DATA – FAN COIL
LIHP036000T431E - LIFHC036021T431E-1
SINGLE ZONE INVERTER MINI-SPLIT HEAT PUMP**

INDOOR SPECIFICATIONS

PERFORMANCE		
Airflow (CFM)	Turbo	/
	High	824
	Medium	676
	Low	441
External Static Pressure (Pa)		37
Sound Pressure (dBA)	Turbo	/
	High	47
	Medium	43
	Low	40

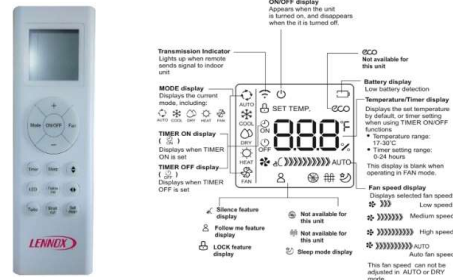
ELECTRICAL DATA	
Power Supply (V/Hz/φ)	220-240/50/1
Rated load amps (RLA)	1.5
Power Output (W)	300

DIMENSIONS		
Unit Dimensions (in)	Height	9.8
	Width	53.5
	Depth	30.5
Unit Net/Shipping Weight (lb)		89.3/106.9

WIRELESS REMOTE CONTROLLER SPECIFICATIONS

21F34 (RG66A1/BGEF)	
Power Supply	2 AAA Batteries (Included)
Setpoint Range	62°F(17°C) - 86°F(30°C)
Effective Receiving Range	26 ft.(8m)

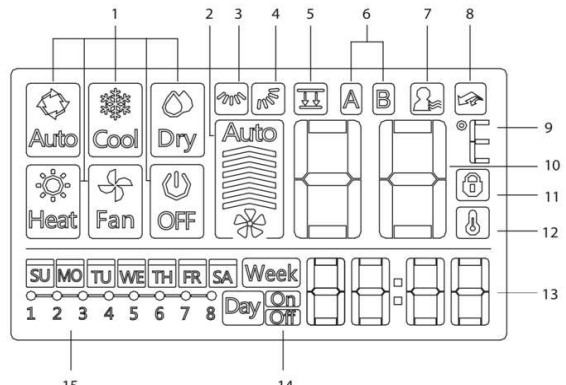
DISPLAY



WIRED CONTROLLER SPECIFICATIONS

21F37 (KJR-120G2/TFBG-E-02)	
Power Supply	DC 12V, Supplied by IDU
Setpoint Range	62°F(17°C) - 86°F(30°C)
Effective Receiving Range	65 ft.(20m)

DISPLAY

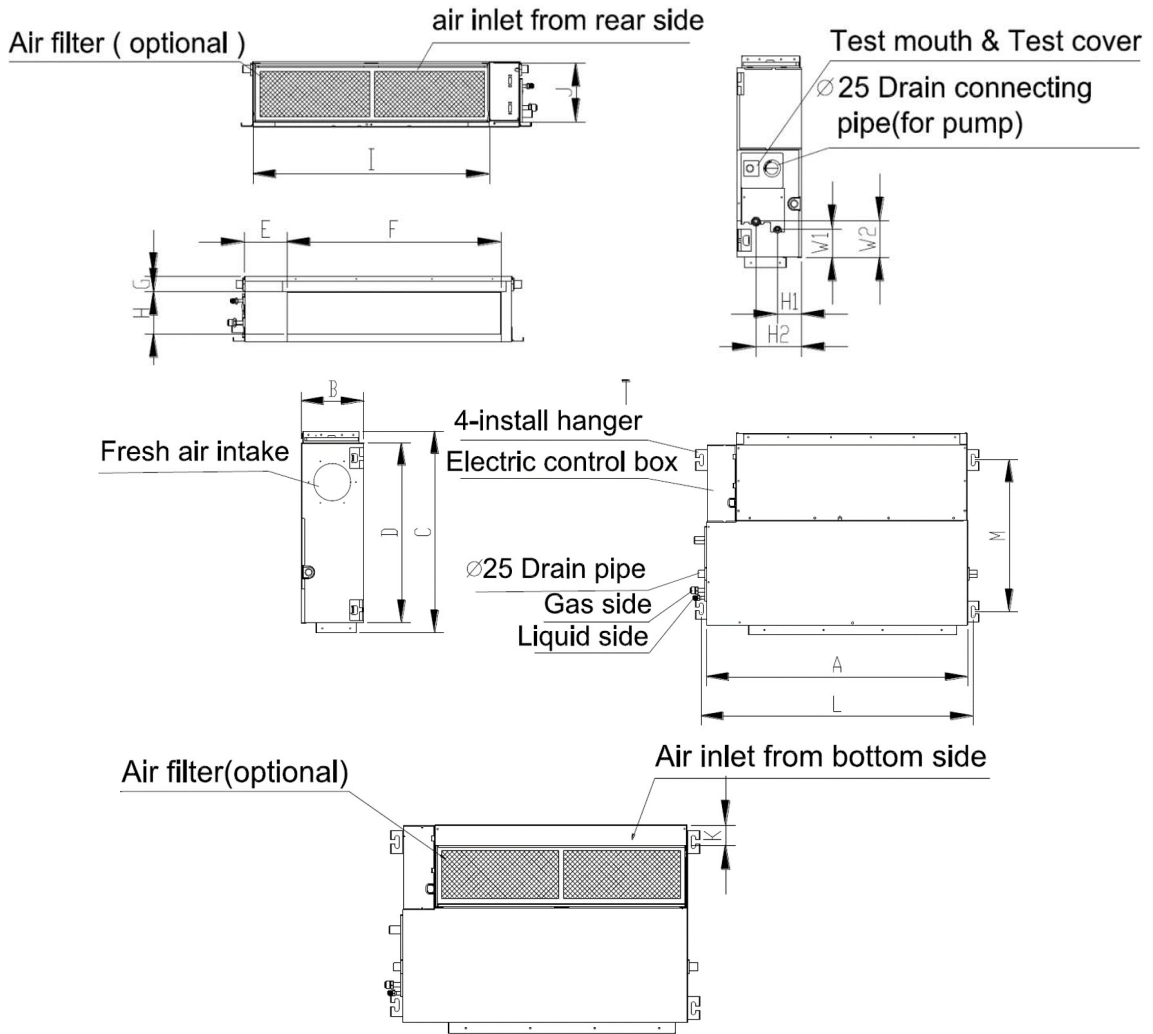


NOTE – Due to Lennox' ongoing commitment to quality, Specifications, Ratings, and Dimensions are subject to change without notice and without incurring liability. Improper installation, adjustment, alteration, service or maintenance can cause property damage or personal injury. Installation and service must be performed by a qualified installer and servicing agency



**SUBMITTAL DATA – FAN COIL
LIHP036000T431E - LIFHC036021T431E-1
SINGLE ZONE INVERTER MINI-SPLIT HEAT PUMP**

INDOOR DIMENSIONAL DRAWINGS - INCHES (MM)



IDU	UNIT	A	B	C	D	E	F	G	H	I	J	K	L	M	H1	H2	W1	W2
36K	mm	1360	249	774	700	140	1186	50	175	1261	228	5	1400	598	80	150	130	155
	inch	53.5	9.8	30.5	27.6	5.5	46.7	2.0	6.9	49.6	9.0	0.2	55.1	23.5	3.1	5.9	5.1	6.1

NOTE – Due to Lennox' ongoing commitment to quality, Specifications, Ratings, and Dimensions are subject to change without notice and without incurring liability. Improper installation, adjustment, alteration, service or maintenance can cause property damage or personal injury. Installation and service must be performed by a qualified installer and servicing agency