



**SUBMITTAL DATA – FLOOR CEILING TYPE
LIHP036000T431E - LIUH036021T431E-1
SINGLE ZONE INVERTER MINI-SPLIT HEAT PUMP**

Job: _____
Location: _____
Schedule No.: _____
System Designation: _____

Engineer: _____
Architect: _____
Date: _____

FEATURES

Outdoor Unit: **LIHP036000T431E**
Outdoor Unit Cat Number: **Y7878**

Indoor Unit: **LIUH036021T431E-1**
Indoor Unit Cat Number: **Y8908**



- DC ODU Motor
- Golden Fin



- Auto Restart
- Follow Me function
- Wireless Remote Included
- Horizontal & Vertical Swing

PIPING

Line Set and Elevation Guidelines

Maximum Line Set Length ft. (m)	213.2 ft. (65 m)
Maximum Elevation - Outdoor Unit Below/Above Indoor Unit ft. (m)	98.4 ft. (30 m)
Liquid Line Set Diameter (in.)	3/8"
Gas Line Set Diameter (in.)	5/8"

PRODUCT WARRANTY

5 Year Limited Warranty*

OPTIONAL ACCESORIES

Wired Control (21F37, KJR-120G2/TFBG-E-02)



NOTE – Due to Lennox' ongoing commitment to quality, Specifications, Ratings, and Dimensions are subject to change without notice and without incurring liability. Improper installation, adjustment, alteration, service or maintenance can cause property damage or personal injury. Installation and service must be performed by a qualified installer and servicing agency



**SUBMITTAL DATA – FLOOR CEILING TYPE
LIHP036000T431E - LIUH036021T431E-1
SINGLE ZONE INVERTER MINI-SPLIT HEAT PUMP**

OUTDOOR SPECIFICATIONS

PERFORMANCE

Cooling Capacity (Btu/h)	36,000
EER(W/W)	2.8
ESEER(BTUH/W)	21.5
Heating Capacity (Btu/h)	38,000
SCOP	4.0

Outdoor Fan Total Air Volume (CFM)	2,529
Ambient Temperature Operating Range	
Cooling	5°F(-15°C) - 122°F(50°C)
Heating	5°F(-15°C) - 75°F(24°C)

ELECTRICAL DATA

Power Supply (V/Hz/ϕ)	220-240/50/1
Minimum Circuit Ampacity (A)	/
Maximum Overcurrent Protection (A)	/
Outdoor Fan Motor RLA (A)	1.21
Compressor RLA (A)	5.1
No. of Compressors	1

GENERAL DATA

Connection Ratio (%)	100%
Max. # of Indoor Units	1
Sound Data (dBA) - Cooling/Heating	61
Refrigerant type	R-410A
Factory refrigerant charge	7.04 lbs. 112.6 oz.

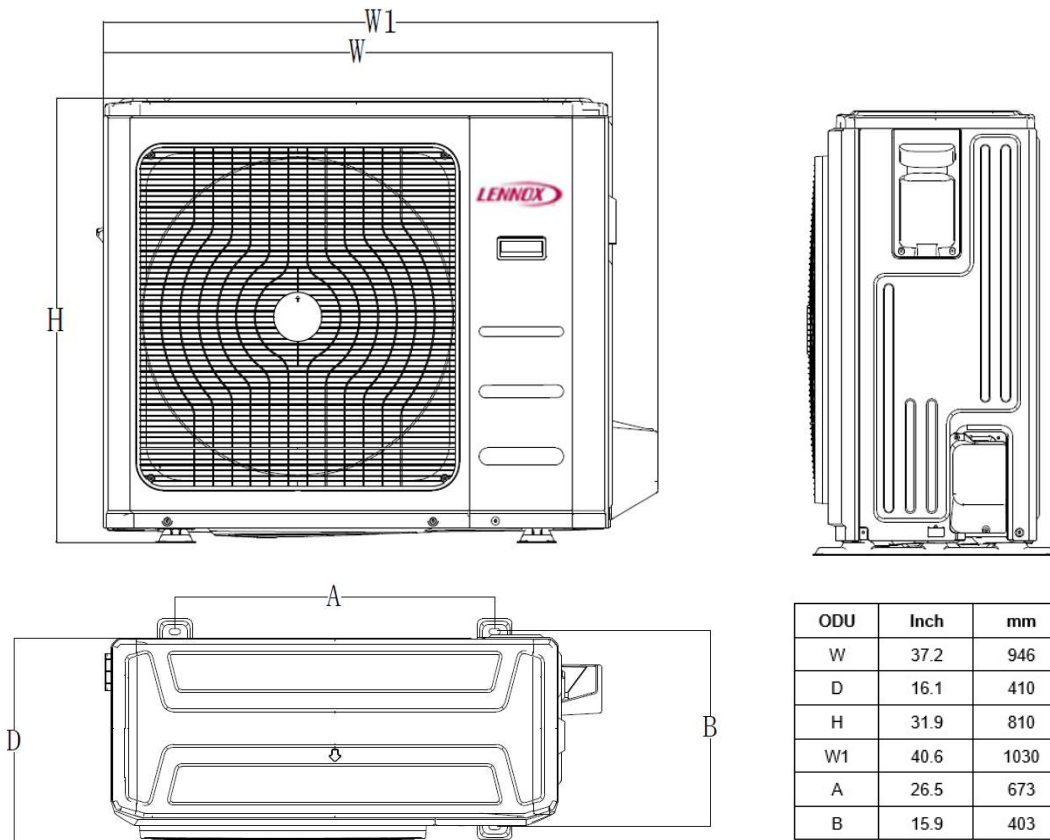
DIMENSIONS

Unit Dimensions (in)	Height	31.9
	Width	37.2
	Depth	16.1
Shipping Weight (lb)		160.7
Net Weight (lb)		148.2

NOTES

Cooling and Heating Capacity data is rated at the following conditions:
Cooling: 80°FDB / 67°FWB Indoor, 95°FDB/ 75°FWB Outdoor
Heating: 70°FDB / 60°FWB Indoor, 47°FDB/ 43°FWB Outdoor

OUTDOOR DIMENSIONAL DRAWINGS - INCHES (MM)



NOTE – Due to Lennox' ongoing commitment to quality, Specifications, Ratings, and Dimensions are subject to change without notice and without incurring liability. Improper installation, adjustment, alteration, service or maintenance can cause property damage or personal injury. Installation and service must be performed by a qualified installer and servicing agency



**SUBMITTAL DATA – FLOOR CEILING TYPE
LIHP036000T431E - LIUH036021T431E-1
SINGLE ZONE INVERTER MINI-SPLIT HEAT PUMP**

INDOOR SPECIFICATIONS

PERFORMANCE

Airflow (CFM)	Turbo	/
	High	1271
	Medium	1085
	Low	842
External Static Pressure (in. w.g.)		-
Sound Pressure (dBA)	Turbo	/
	High	51
	Medium	47
	Low	42

ELECTRICAL DATA

Power Supply (V/Hz/ϕ)	220-240/50/1
Rated load amps (RLA)	.94
Power Output (W)	90

DIMENSIONS

Unit Dimensions (in)	Height	9.3
	Width	65.0
	Depth	26.6
Unit Net/Shipping Weight (lb)		85.8/99.2

WIRELESS REMOTE CONTROLLER SPECIFICATION

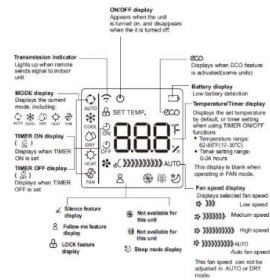
21F34 (RG66A1/BGEF)

Power Supply	2 AAA Batteries (Included)
--------------	-------------------------------

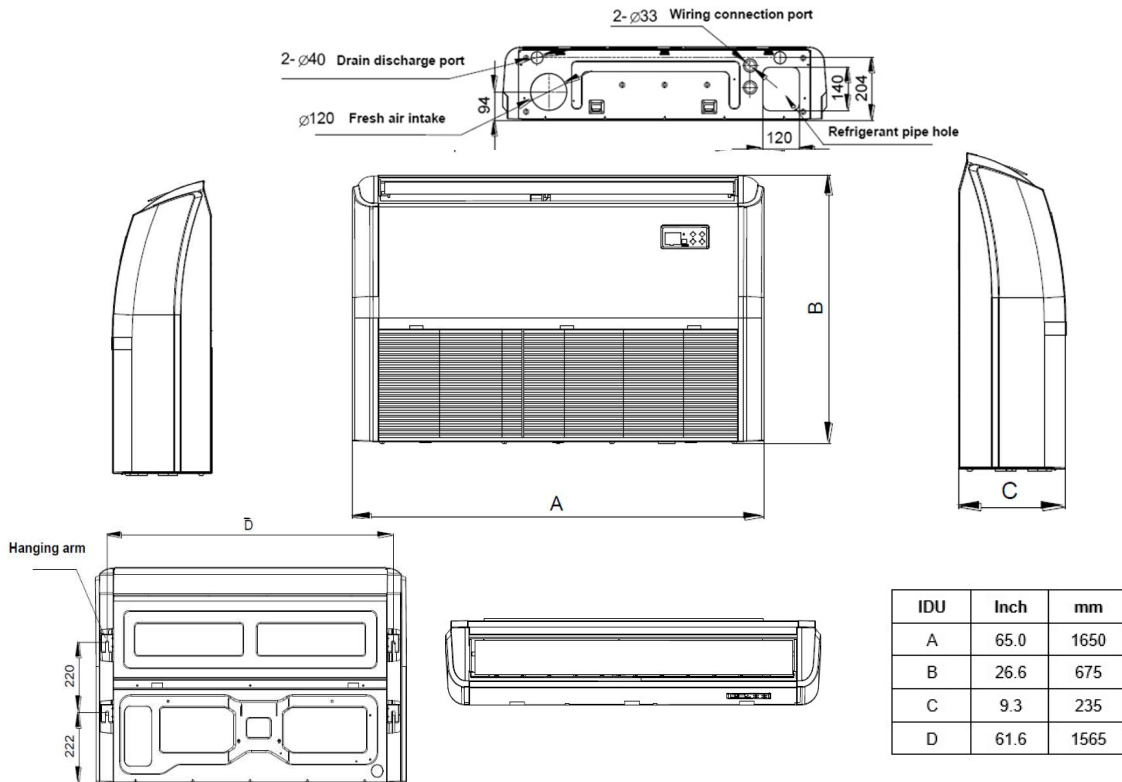
Setpoint Range	62°F(17°C) - 86°F(30°C)
----------------	-------------------------

Effective Receiving Range	26 ft.(8m)
---------------------------	------------

DISPLAY



INDOOR DIMENSIONAL DRAWINGS - INCHES (MM)



NOTE – Due to Lennox' ongoing commitment to quality, Specifications, Ratings, and Dimensions are subject to change without notice and without incurring liability. Improper installation, adjustment, alteration, service or maintenance can cause property damage or personal injury. Installation and service must be performed by a qualified installer and servicing agency