



SUBMITTAL DATA - INDOOR UNIT
LCC4036-100P431-1
LCAC CASSETTE TYPE EVAPORATOR

Job: _____
 Location: _____
 Schedule No.: _____
 System Designation: _____

Engineer: _____
 Architect: _____
 Date: _____

FEATURES

- 360° Air Flow Panel
- Auto Restart
- Water pump build in
- Wireless Remote Included
- Follow Me function
- Washable filter

SPECIFICATIONS

PERFORMANCE

Cooling Capacity (Btu/h)		36,000
EER(W/W)		2.69
SEER(BTUH/W)		/
Heating Capacity (Btu/h)		/
HSPF(BTUH/W)		/
Airflow (CFM)	High	984
	Medium	699
	Low	626
Sound Pressure (dBA)	High	53.0
	Medium	46.6
	Low	45.5
External Static Rated Pressure (Pa)		-
External Static Pressure Range (Pa)		-

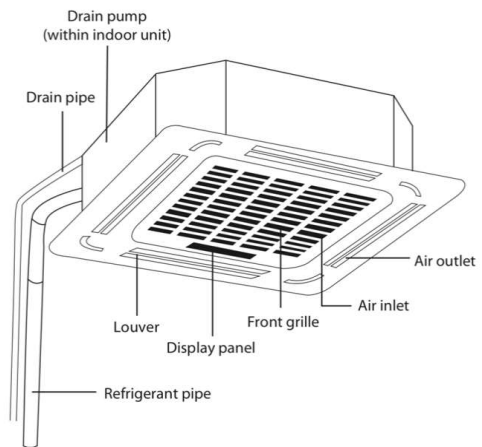
ELECTRICAL DATA

Power Supply (V/Hz/φ)		220-230/60/1
Max Current (A)	with 3 phase ODU	15.0
	with 1 phase ODU	25.5
Rated Current (A)	Cooling	1.4
	Heating	/

DIMENSIONS

Unit Dimensions (in)	Height	9.7
	Width	33.1
	Depth	33.1
Liquid Pipe Connection (in)		3/8"
Gas Pipe Connection (in)		3/4"
Shipping Weight (lb)		66.8
Net Weight (lb)		56.8

Model No.: LCC4036-100P431-1
CAT No.: Y8932



PRODUCT WARRANTY

5 Year Limited Warranty*

OPTIONAL ACCESORIES

Wired Control(21F37, KJR-120G2/TFBG-E-02)



NOTE – Due to Lennox' ongoing commitment to quality, Specifications, Ratings, and Dimensions are subject to change without notice and without incurring liability. Improper installation, adjustment, alteration, service or maintenance can cause property damage or personal injury. Installation and service must be performed by a qualified installer and servicing agency



SUBMITTAL DATA - INDOOR UNIT
LCC4036-100P431-1
LCAC CASSETTE TYPE EVAPORATOR

NOTES

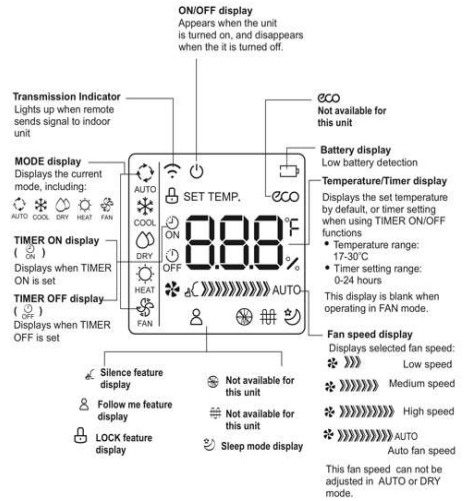
Cooling and Heating Capacity data is rated at the following conditions:
 Cooling: 80°FDB / 67°FWB Indoor, 95°FDB/ 75°FWB Outdoor
 Heating: 68°FDB / 59°FWB Indoor, 45°FDB/ 43°FWB Outdoor

WIRELESS CONTROLLER SPECIFICATIONS

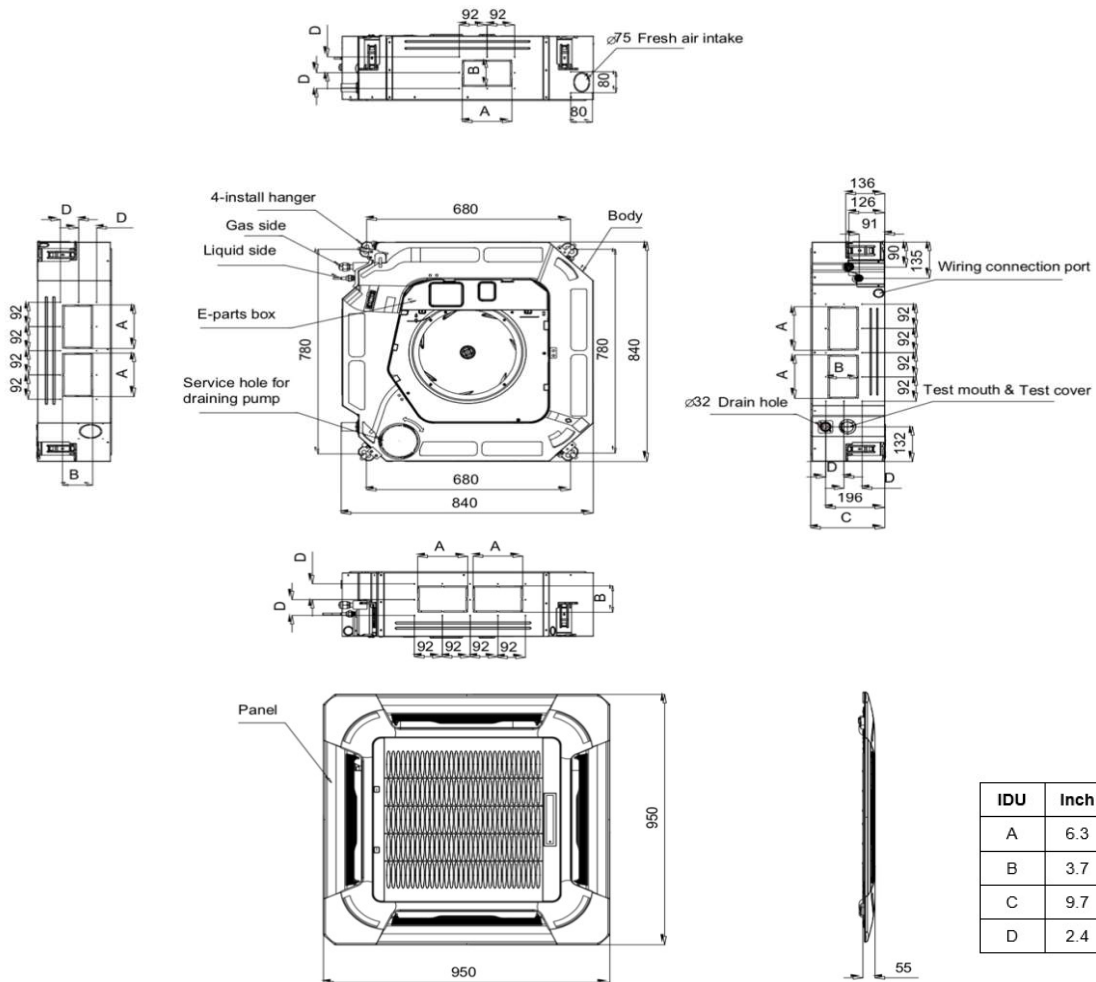
21F34 (RG66A1/BGEF)

Power Supply	2 AAA Batteries (Included)
Setpoint Range	62°F(17°C) - 86°F(30°C)
Effective Receiving Range	26 ft.(8m)

WIRELESS CONTROLLER DISPLAY



DIMENSIONAL DRAWINGS - INCHES (MM)



IDU	Inch	mm
A	6.3	160
B	3.7	95
C	9.7	245
D	2.4	60

NOTE – Due to Lennox' ongoing commitment to quality, Specifications, Ratings, and Dimensions are subject to change without notice and without incurring liability. Improper installation, adjustment, alteration, service or maintenance can cause property damage or personal injury. Installation and service must be performed by a qualified installer and servicing agency