



SUBMITTAL DATA - INDOOR UNIT
LXGUCMD036100P20-4
LCAC FLOOR CEILING TYPE EVAPORATOR

Job: _____
 Location: _____
 Schedule No.: _____
 System Designation: _____

Engineer: _____
 Architect: _____
 Date: _____

FEATURES

- Horizontal & Vertical Swing
- Auto Restart
- Washable filter
- Wireless Remote Included
- Follow Me function

SPECIFICATIONS

PERFORMANCE

Cooling Capacity (Btu/h)		36,000
EER(W/W)		2.72
SEER(BTUH/W)		/
Heating Capacity (Btu/h)		/
HSPF(BTUH/W)		/
Airflow (CFM)	High	1013
	Medium	858
	Low	753
Sound Pressure (dBA)	High	53.0
	Medium	49.1
	Low	46.5
External Static Rated Pressure (Pa)		-
External Static Pressure Range (Pa)		-

ELECTRICAL DATA

Power Supply (V/Hz/ϕ)		220-230/60/1
Max Current (A)	with 3 phase ODU	15
	with 1 phase ODU	25.5
Rated Current (A)	Cooling	1.1
	Heating	/

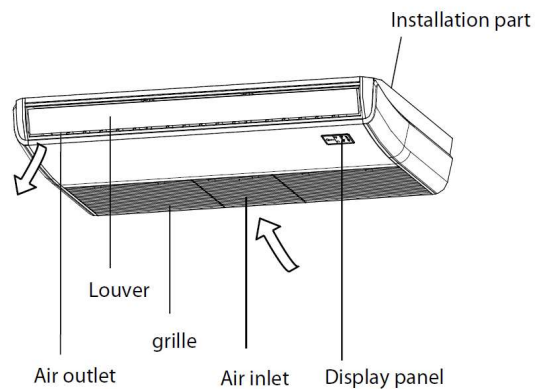
DIMENSIONS

Unit Dimensions (in)	Height	9.3
	Width	50.6
	Depth	26.6
Liquid Pipe Connection (in)		3/8"
Gas Pipe Connection (in)		3/4"
Shipping Weight (lb)		81.6
Net Weight (lb)		69.0

PRODUCT WARRANTY

5 Year Limited Warranty*

Model No.: LXGUCMD036100P20-4
CAT No.: Y5796



OPTIONAL ACCESSORIES

Wired Control(21F37, KJR-120G2/TFBG-E-02)



NOTE – Due to Lennox' ongoing commitment to quality, Specifications, Ratings, and Dimensions are subject to change without notice and without incurring liability. Improper installation, adjustment, alteration, service or maintenance can cause property damage or personal injury. Installation and service must be performed by a qualified installer and servicing agency



SUBMITTAL DATA - INDOOR UNIT
LXGUCMD036100P20-4
LCAC FLOOR CEILING TYPE EVAPORATOR

NOTES

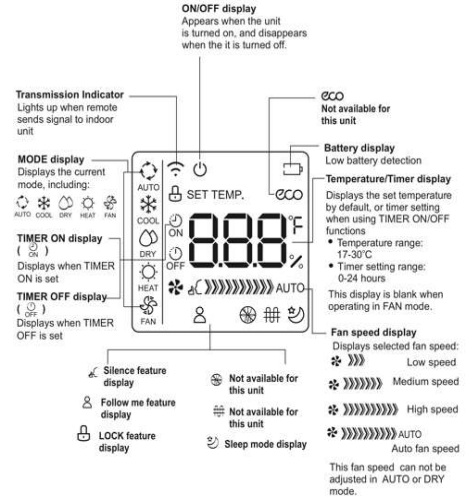
Cooling and Heating Capacity data is rated at the following conditions:
 Cooling: 80°FDB / 67°FWB Indoor, 95°FDB/ 75°FWB Outdoor
 Heating: 68°FDB / 59°FWB Indoor, 45°FDB/ 43°FWB Outdoor

WIRELESS CONTROLLER SPECIFICATIONS

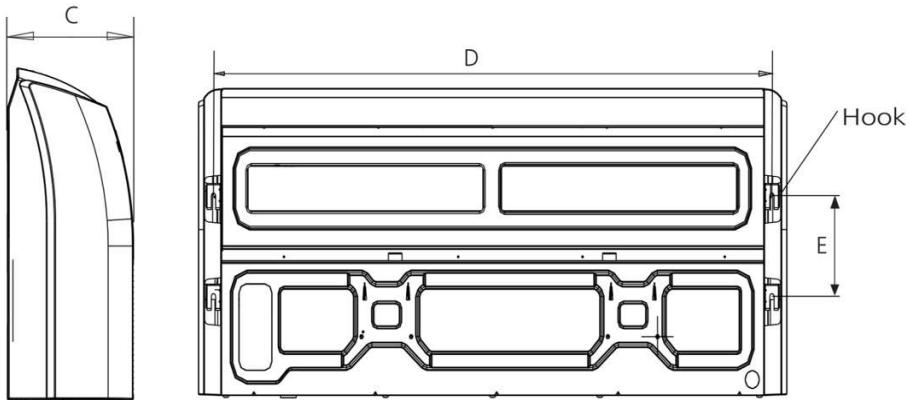
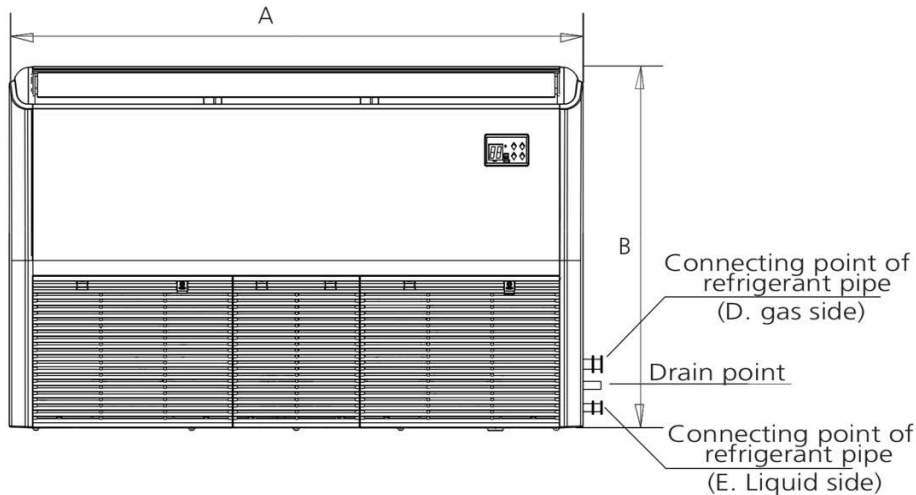
21F34 (RG66A1/BGEF)

Power Supply	2 AAA Batteries (Included)
Setpoint Range	62°F(17°C) - 86°F(30°C)
Effective Receiving Range	26 ft.(8m)

WIRELESS CONTROLLER DISPLAY



DIMENSIONAL DRAWINGS - INCHES (MM)



IDU	Inch	mm
A	50.6	1285
B	26.6	675
C	9.3	235
D	47.2	1200
E	8.7	220

NOTE – Due to Lennox' ongoing commitment to quality, Specifications, Ratings, and Dimensions are subject to change without notice and without incurring liability. Improper installation, adjustment, alteration, service or maintenance can cause property damage or personal injury. Installation and service must be performed by a qualified installer and servicing agency