



SUBMITTAL DATA - OUTDOOR UNIT
LAC036-100P431-1
LCAC TOP DISCHARGE CONDENSER

Job: _____
 Location: _____
 Schedule No.: _____
 System Designation: _____

Engineer: _____
 Architect: _____
 Date: _____

FEATURES

- 24V control
- Refrigerant leakage detection

- Over-current Protection
- Compressor three minutes Delay at Restart

SPECIFICATIONS

PERFORMANCE

Cooling Capacity (Btu/h)	36,000
Heating Capacity (Btu/h)	/
Airflow (CFM)	2647
Ambient Temperature Operating Range	/
Cooling	64°F(18°C)-109°F(43°C)
Heating	/

External Static Rated Pressure (Pa)	-
External Static Pressure Range (Pa)	-

ELECTRICAL DATA

Power Supply (V/Hz/ϕ)	220-230/60/1
MOP (A)	/
MCA (A)	/
No. of Compressors	1
No. of Fans	1

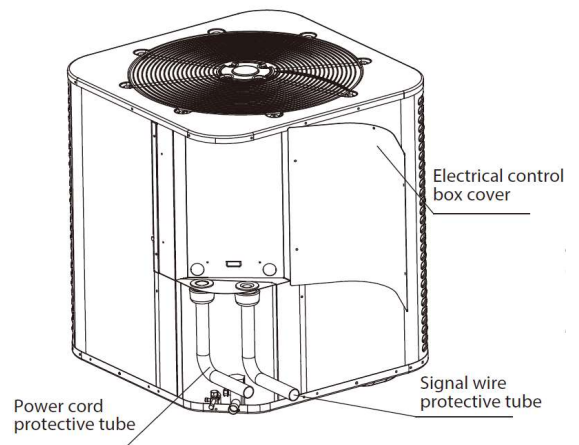
GENERAL DATA

Combination Ratio Indoor / Outdoor	100%
Max. # of Indoor Units	1
Sound Pressure Level (dBA)	65.5
Refrigerant Type	R410A
Factory Refrigerant Charge	4.18 lbs. 66.9 oz

DIMENSIONS

Unit Dimensions (in)	Height	29.9
	Width	23.6
	Depth	23.6
Liquid Pipe Connection (in)		3/8"
Gas Pipe Connection (in)		3/4"
Shipping Weight (lb)		135
Net Weight (lb)		127.2

Model No.: LAC036-100P431-1
CAT No.: Y8936



PRODUCT WARRANTY

5 Year Limited Warranty*

OPTIONAL ACCESSORIES



NOTE – Due to Lennox' ongoing commitment to quality, Specifications, Ratings, and Dimensions are subject to change without notice and without incurring liability. Improper installation, adjustment, alteration, service or maintenance can cause property damage or personal injury. Installation and service must be performed by a qualified installer and servicing agency

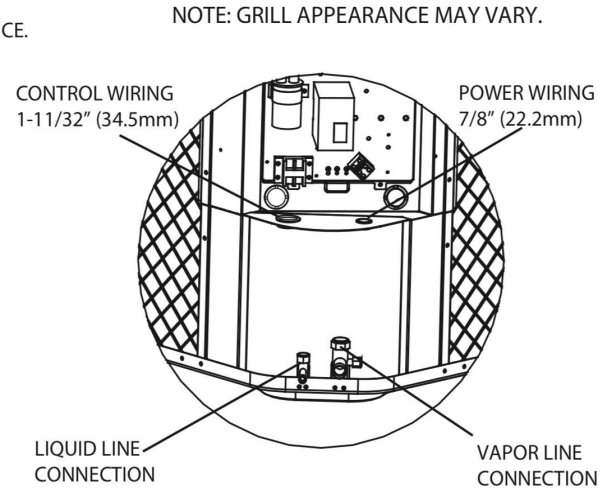
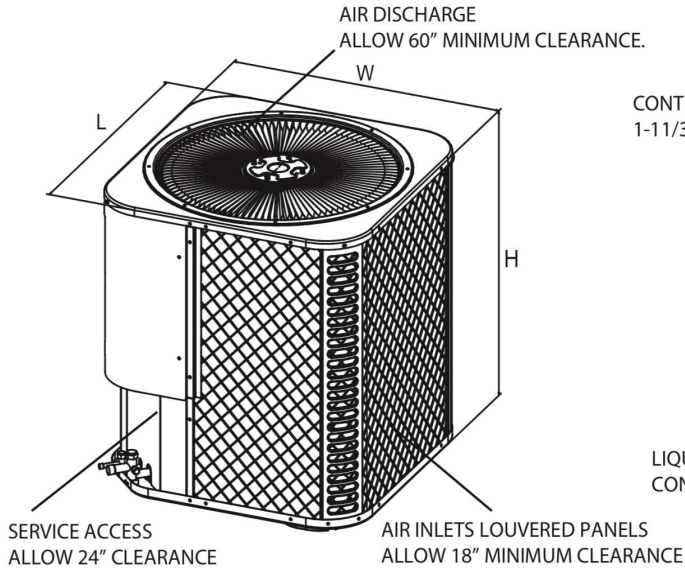


SUBMITTAL DATA - OUTDOOR UNIT
LAC036-100P431-1
LCAC TOP DISCHARGE CONDENSER

NOTES

Cooling and Heating Capacity data is rated at the following conditions:
 Cooling: 80°FDB / 67°FWB Indoor, 95°FDB/ 75°FWB Outdoor
 Heating: 68°FDB / 59°FWB Indoor, 45°FDB/ 43°FWB Outdoor

DIMENSIONAL DRAWINGS - INCHES (MM)



ODU	Inch	mm
H	29.9	759
W	23.6	600
L	23.6	600

NOTE – Due to Lennox' ongoing commitment to quality, Specifications, Ratings, and Dimensions are subject to change without notice and without incurring liability. Improper installation, adjustment, alteration, service or maintenance can cause property damage or personal injury. Installation and service must be performed by a qualified installer and servicing agency