



**SUBMITTAL DATA - OUTDOOR UNIT**  
**LAC060-100Y431**  
**LCAC TOP DISCHARGE CONDENSER**

Job: \_\_\_\_\_  
 Location: \_\_\_\_\_  
 Schedule No.: \_\_\_\_\_  
 System Designation: \_\_\_\_\_

Engineer: \_\_\_\_\_  
 Architect: \_\_\_\_\_  
 Date: \_\_\_\_\_

**FEATURES**

- 24V control
- Refrigerant leakage detection

- Over-current Protection
- Compressor three minutes Delay at Restart

**SPECIFICATIONS**

**PERFORMANCE**

Cooling Capacity (Btu/h)	60,000
Heating Capacity (Btu/h)	/
Airflow (CFM)	3824
Ambient Temperature Operating Range	/
Cooling	64°F(18°C)-109°F(43°C)
Heating	/
External Static Rated Pressure (Pa)	/
External Static Pressure Range (Pa)	/

**ELECTRICAL DATA**

Power Supply (V/Hz/φ)	220-230/60/3
MOP (A)	/
MCA (A)	/
No. of Compressors	1
No. of Fans	1

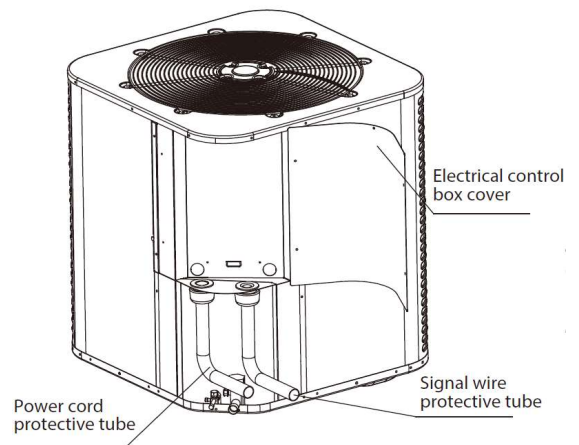
**GENERAL DATA**

Combination Ratio Indoor / Outdoor	100%
Max. # of Indoor Units	1
Sound Pressure Level (dBA)	64.4
Refrigerant Type	R410A
Factory Refrigerant Charge	4.84 lbs. 77.44 oz.

**DIMENSIONS**

Unit Dimensions (in)	Height	33.2
	Width	28.0
	Depth	28.0
Liquid Pipe Connection (in)		3/8"
Gas Pipe Connection (in)		3/4"
Shipping Weight (lb)		187
Net Weight (lb)		176

**Model No.: LAC060-100Y431**  
**CAT No.: Y6891**



**PRODUCT WARRANTY**

5 Year Limited Warranty\*

**OPTIONAL ACCESSORIES**



**NOTE** – Due to Lennox' ongoing commitment to quality, Specifications, Ratings, and Dimensions are subject to change without notice and without incurring liability. Improper installation, adjustment, alteration, service or maintenance can cause property damage or personal injury. Installation and service must be performed by a qualified installer and servicing agency

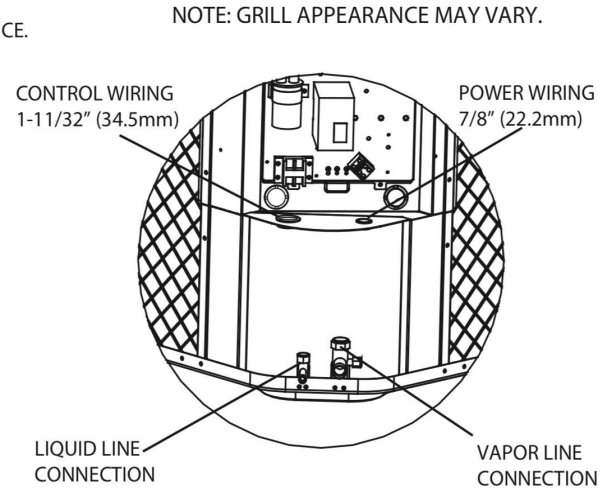
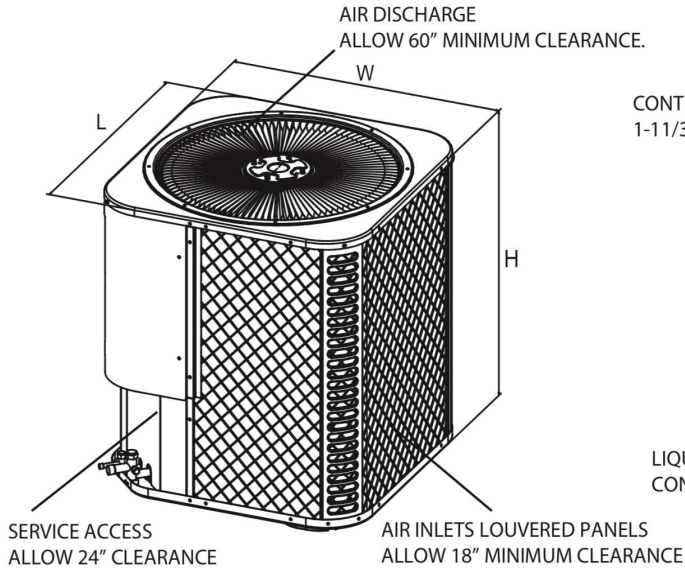


**SUBMITTAL DATA - OUTDOOR UNIT**  
**LAC060-100Y431**  
**LCAC TOP DISCHARGE CONDENSER**

**NOTES**

Cooling and Heating Capacity data is rated at the following conditions:  
 Cooling: 80°FDB / 67°FWB Indoor, 95°FDB/ 75°FWB Outdoor  
 Heating: 68°FDB / 59°FWB Indoor, 45°FDB/ 43°FWB Outdoor

**DIMENSIONAL DRAWINGS - INCHES (MM)**



ODU	Inch	mm
H	33.2	843
W	28.0	710
L	28.0	710

**NOTE** – Due to Lennox' ongoing commitment to quality, Specifications, Ratings, and Dimensions are subject to change without notice and without incurring liability. Improper installation, adjustment, alteration, service or maintenance can cause property damage or personal injury. Installation and service must be performed by a qualified installer and servicing agency