



**SUBMITTAL DATA – WALL-MOUNTED  
LM012HO-100P432-1 - LM012HI-100P432-1  
SINGLE ZONE MINI-SPLIT HEAT PUMP**

Job: \_\_\_\_\_  
Location: \_\_\_\_\_  
Schedule No.: \_\_\_\_\_  
System Designation: \_\_\_\_\_

Engineer: \_\_\_\_\_  
Architect: \_\_\_\_\_  
Date: \_\_\_\_\_

**FEATURES**

Outdoor Unit: **LM012HO-100P432-1**  
Outdoor Unit Cat Number: **Y8514**

Indoor Unit: **LM012HI-100P432-1**  
Indoor Unit Cat Number: **Y8513**



- 3 Meter Copper Pipe Included

- Auto Restart
- Four Selectable Fan Speeds
- Hidden LED Display
- Wireless Remote Included
- I Feel Function

**PIPING**

Line Set and Elevation Guidelines	
Maximum Line Set Length ft. (m)	65.6 ft. (20 m)
Maximum Elevation - Outdoor Unit Below/Above Indoor Unit ft. (m)	32.8 ft. (10 m)
Liquid Line Set Diameter (in.)	1/4"
Gas Line Set Diameter (in.)	1/2"

**PRODUCT WARRANTY**

5 Year Limited Warranty\*  
\_\_\_\_\_  
\_\_\_\_\_

**OPTIONAL ACCESORIES**

\_\_\_\_\_  
\_\_\_\_\_

**NOTE** – Due to Lennox’ ongoing commitment to quality, Specifications, Ratings, and Dimensions are subject to change without notice and without incurring liability. Improper installation, adjustment, alteration, service or maintenance can cause property damage or personal injury. Installation and service must be performed by a qualified installer and servicing agency



**SUBMITTAL DATA – WALL-MOUNTED  
LM012HO-100P432-1 - LM012HI-100P432-1  
SINGLE ZONE MINI-SPLIT HEAT PUMP**

**OUTDOOR SPECIFICATIONS**

**PERFORMANCE**

Cooling Capacity (Btu/h)	11,200
EER(W/W)	2.85
SEER(BTUH/W)	/
Heating Capacity (Btu/h)	12,500
COP	3.39

Outdoor Fan Total Air Volume (CFM)	941
Ambient Temperature Operating Range	
Cooling	64°F(18°C) - 118°F(48°C)
Heating	19°F(-7°C) - 75°F(24°C)

**ELECTRICAL DATA**

Power Supply (V/Hz/ϕ)	Supplied by IDU
Minimum Circuit Ampacity (A)	/
Maximum Overcurrent Protection (A)	/
Outdoor Fan Motor RLA (A)	.34
Compressor RLA (A)	5
No. of Compressors	1

**GENERAL DATA**

Connection Ratio (%)	100%
Max. # of Indoor Units	1
Sound Data (dBA) - Cooling/Heating	51
Refrigerant type	R-410A
Factory refrigerant charge	1.63 lbs. 26.1 oz.

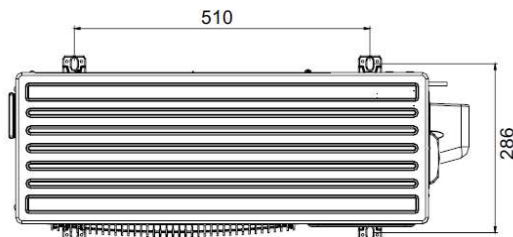
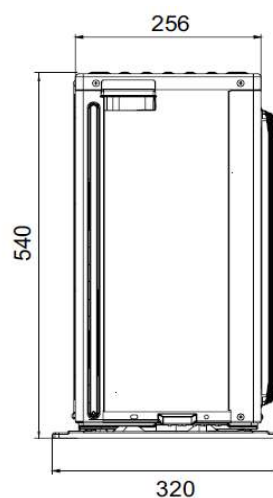
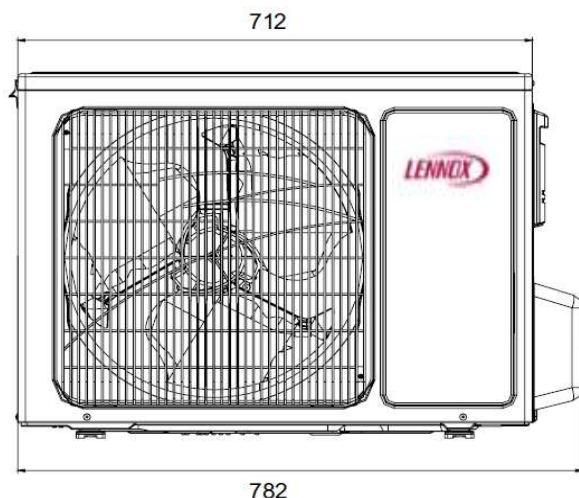
**DIMENSIONS**

Unit Dimensions (in)	Height	21.3
	Width	30.8
	Depth	12.6
Shipping Weight (lb)		67.3
Net Weight (lb)		61.7

**NOTES**

1. Cooling and Heating Capacity data is rated at the following conditions:  
Cooling: 80°FDB / 67°F WB Indoor, 95°FDB/75°F WB Outdoor  
Heating: 68°FDB / 59°F WB Indoor, 44.6°FDB/ 42.8°F WB Outdoor

**OUTDOOR DIMENSIONAL DRAWINGS - INCHES (MM)**



ODU	Inch	mm
W	30.8	782
H	21.3	540
D	12.6	320
W1	28	712
W2	10	256
W3	20	510
W4	11.3	286

**NOTE** – Due to Lennox’ ongoing commitment to quality, Specifications, Ratings, and Dimensions are subject to change without notice and without incurring liability. Improper installation, adjustment, alteration, service or maintenance can cause property damage or personal injury. Installation and service must be performed by a qualified installer and servicing agency



**SUBMITTAL DATA – WALL-MOUNTED  
LM012HO-100P432-1 - LM012HI-100P432-1  
SINGLE ZONE MINI-SPLIT HEAT PUMP**

**INDOOR SPECIFICATIONS**

**PERFORMANCE**

Airflow (CFM)	Turbo	353
	High	277
	Medium	224
	Low	188
External Static Pressure (in. w.g.)		-
Sound Pressure (dBA)	Turbo	43
	High	38
	Medium	34
	Low	30

**ELECTRICAL DATA**

Power Supply (V/Hz/ϕ)	230/60/1
Rated load amps (RLA)	.2
Power Output (W)	20

**DIMENSIONS**

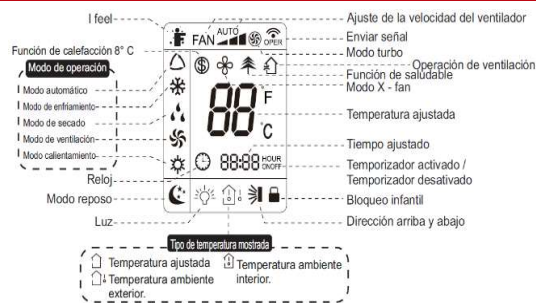
Unit Dimensions (in)	Height	10.8
	Width	31.1
	Depth	7.9
Unit Net/Shipping Weight (lb)		20.9/25.4

**WIRELESS REMOTE CONTROLLER SPECIFICATIONS**

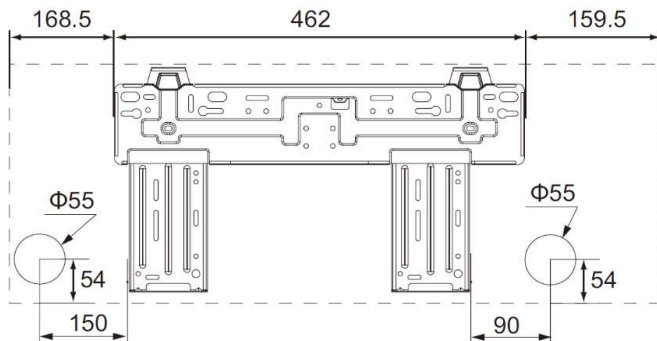
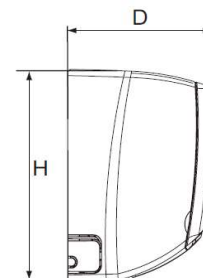
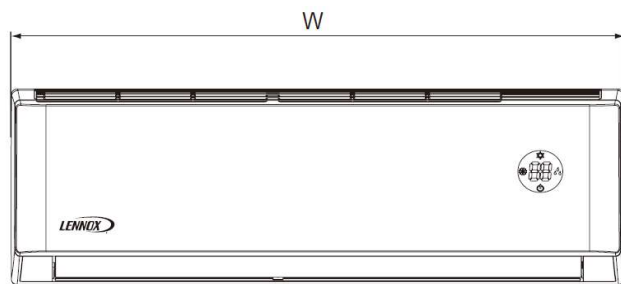
**Y6185**

Power Supply	2 AAA Batteries (Included)
Setpoint Range	61°F(16°C) - 86°F(30°C)
Effective Receiving Range	26 ft.(8m)

**DISPLAY**



**INDOOR DIMENSIONAL DRAWINGS - INCHES (MM)**



IDU	Inch	mm
W	31.1	790
H	10.8	275
D	7.9	200

**NOTE** – Due to Lennox' ongoing commitment to quality, Specifications, Ratings, and Dimensions are subject to change without notice and without incurring liability. Improper installation, adjustment, alteration, service or maintenance can cause property damage or personal injury. Installation and service must be performed by a qualified installer and servicing agency