



**SUBMITTAL DATA – WALL-MOUNTED
LM036CO-100P432- LM036CI-100P432
SINGLE ZONE MINI-SPLIT COOLING ONLY**

Job: _____
Location: _____
Schedule No.: _____
System Designation: _____

Engineer: _____
Architect: _____
Date: _____

FEATURES

Outdoor Unit: **LM036CO-100P432**
Outdoor Unit Cat Number: **Y6897**

Indoor Unit: **LM036CI-100P432**
Indoor Unit Cat Number: **Y6896**



- 4 Meter Copper Pipe Included

- Auto Restart
- Four Selectable Fan Speeds
- Hidden LED Display
- Wireless Remote Included
- I Feel Function

PIPING

Line Set and Elevation Guidelines	
Maximum Line Set Length ft. (m)	98.4 ft. (30 m)
Maximum Elevation - Outdoor Unit Below/Above Indoor Unit ft. (m)	65.6 ft. (20 m)
Liquid Line Set Diameter (in.)	1/4"
Gas Line Set Diameter (in.)	3/4"

PRODUCT WARRANTY

5 Year Limited Warranty*

OPTIONAL ACCESORIES



NOTE – Due to Lennox' ongoing commitment to quality, Specifications, Ratings, and Dimensions are subject to change without notice and without incurring liability. Improper installation, adjustment, alteration, service or maintenance can cause property damage or personal injury. Installation and service must be performed by a qualified installer and servicing agency



**SUBMITTAL DATA – WALL-MOUNTED
LM036CO-100P432- LM036CI-100P432
SINGLE ZONE MINI-SPLIT COOLING ONLY**

OUTDOOR SPECIFICATIONS

PERFORMANCE

Cooling Capacity (Btu/h)	33,000
EER(W/W)	2.93
SEER(BTUH/W)	/
Heating Capacity (Btu/h)	/
COP	/

Outdoor Fan Total Air Volume (CFM)	2,354
------------------------------------	-------

Ambient Temperature Operating Range	
Cooling	64°F(18°C) - 109°F(43°C)
Heating	/

ELECTRICAL DATA

Power Supply (V/Hz/ϕ)	230/60/1
Minimum Circuit Ampacity (A)	/
Maximum Overcurrent Protection (A)	/
Outdoor Fan Motor RLA (A)	.8
Compressor RLA (A)	13.7
No. of Compressors	1

GENERAL DATA

Connection Ratio (%)	100%
Max. # of Indoor Units	1
Sound Data (dBA) - Cooling/Heating	58
Refrigerant type	R-410A
Factory refrigerant charge	5.29 lbs. 84.7 oz.

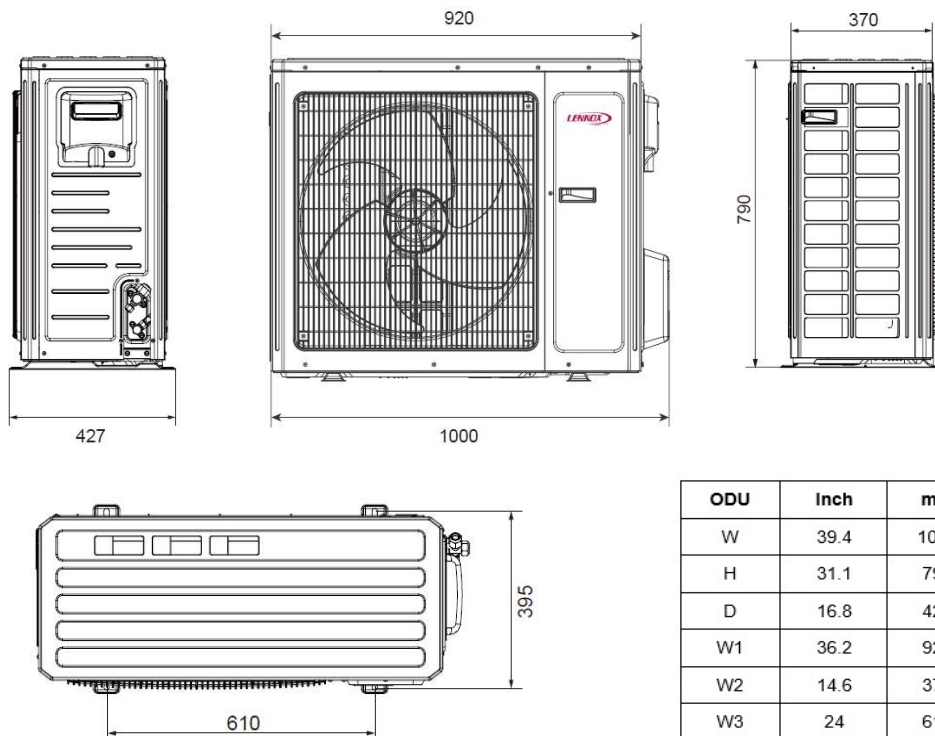
DIMENSIONS

Unit Dimensions (in)	Height	31.1
	Width	39.4
	Depth	16.8
Shipping Weight (lb)	161.0	
Net Weight (lb)	149.9	

NOTES

1. Cooling and Heating Capacity data is rated at the following conditions:
Cooling: 80°FDB / 67°F WB Indoor, 95°FDB/75°F WB Outdoor
Heating: 68°FDB / 59°F WB Indoor, 44.6°FDB/ 42.8°F WB Outdoor

OUTDOOR DIMENSIONAL DRAWINGS - INCHES (MM)



ODU	Inch	mm
W	39.4	1000
H	31.1	790
D	16.8	427
W1	36.2	920
W2	14.6	370
W3	24	610
W4	15.6	395

NOTE – Due to Lennox’ ongoing commitment to quality, Specifications, Ratings, and Dimensions are subject to change without notice and without incurring liability. Improper installation, adjustment, alteration, service or maintenance can cause property damage or personal injury. Installation and service must be performed by a qualified installer and servicing agency



**SUBMITTAL DATA – WALL-MOUNTED
LM036CO-100P432- LM036CI-100P432
SINGLE ZONE MINI-SPLIT COOLING ONLY**

INDOOR SPECIFICATIONS

PERFORMANCE

Airflow (CFM)	Turbo	853
	High	794
	Medium	677
	Low	588
External Static Pressure (in. w.g.)		-
Sound Pressure (dBA)	Turbo	56
	High	54
	Medium	50
	Low	47

ELECTRICAL DATA

Power Supply (V/Hz/ϕ)	Supplied by ODU
Rated load amps (RLA)	.46
Power Output (W)	60

DIMENSIONS

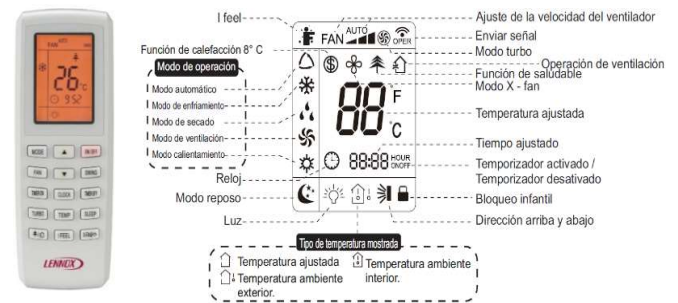
Unit Dimensions (in)	Height	12.8
	Width	53.1
	Depth	10
Unit Net/Shipping Weight (lb)		44/54

WIRELESS REMOTE CONTROLLER SPECIFICATIONS

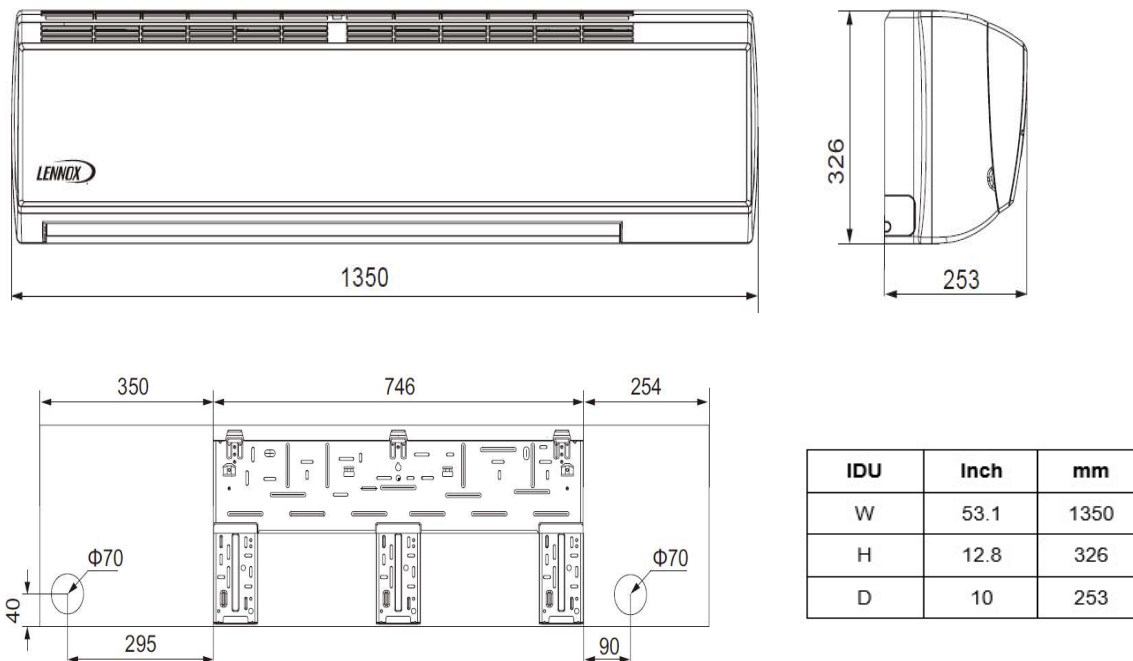
Y6185

Power Supply	2 AAA Batteries (Included)
Setpoint Range	61°F(16°C) - 86°F(30°C)
Effective Receiving Range	26 ft.(8m)

DISPLAY



INDOOR DIMENSIONAL DRAWINGS - INCHES (MM)



NOTE – Due to Lennox' ongoing commitment to quality, Specifications, Ratings, and Dimensions are subject to change without notice and without incurring liability. Improper installation, adjustment, alteration, service or maintenance can cause property damage or personal injury. Installation and service must be performed by a qualified installer and servicing agency