



**SUBMITTAL DATA – WALL-MOUNTED  
LM009CO-100V432-1 - LM009CI-100V432-1  
SINGLE ZONE MINI-SPLIT COOLING ONLY**

Job: \_\_\_\_\_  
Location: \_\_\_\_\_  
Schedule No.: \_\_\_\_\_  
System Designation: \_\_\_\_\_

Engineer: \_\_\_\_\_  
Architect: \_\_\_\_\_  
Date: \_\_\_\_\_

**FEATURES**

Outdoor Unit: **LM009CO-100V432-1**  
Outdoor Unit Cat Number: **Y8508**

Indoor Unit: **LM009CI-100V432-1**  
Indoor Unit Cat Number: **Y8507**



- 3 Meter Copper Pipe Included

- Auto Restart
- Four Selectable Fan Speeds
- Hidden LED Display
- Wireless Remote Included
- I Feel Function

**PIPING**

Line Set and Elevation Guidelines	
Maximum Line Set Length ft. (m)	49.2 ft. (15 m)
Maximum Elevation - Outdoor Unit Below/Above Indoor Unit ft. (m)	16.4 ft. (5 m)
Liquid Line Set Diameter (in.)	1/4"
Gas Line Set Diameter (in.)	3/8"

**PRODUCT WARRANTY**

5 Year Limited Warranty\*  
\_\_\_\_\_  
\_\_\_\_\_

**OPTIONAL ACCESORIES**

\_\_\_\_\_  
\_\_\_\_\_

**NOTE** – Due to Lennox' ongoing commitment to quality, Specifications, Ratings, and Dimensions are subject to change without notice and without incurring liability. Improper installation, adjustment, alteration, service or maintenance can cause property damage or personal injury. Installation and service must be performed by a qualified installer and servicing agency



**SUBMITTAL DATA – WALL-MOUNTED  
LM009CO-100V432-1 - LM009CI-100V432-1  
SINGLE ZONE MINI-SPLIT COOLING ONLY**

**OUTDOOR SPECIFICATIONS**

**PERFORMANCE**

Cooling Capacity (Btu/h)	9,000
EER(W/W)	2.93
SEER(BTUH/W)	/
Heating Capacity (Btu/h)	/
COP	/

Outdoor Fan Total Air Volume (CFM)	706
Ambient Temperature Operating Range	
Cooling	64°F(18°C) - 109°F(43°C)
Heating	/

**ELECTRICAL DATA**

Power Supply (V/Hz/ϕ)	Supplied by IDU
Minimum Circuit Ampacity (A)	/
Maximum Overcurrent Protection (A)	/
Outdoor Fan Motor RLA (A)	.55
Compressor RLA (A)	7.2
No. of Compressors	1

**GENERAL DATA**

Connection Ratio (%)	100%
Max. # of Indoor Units	1
Sound Data (dBA) - Cooling/Heating	50
Refrigerant type	R-410A
Factory refrigerant charge	1.24 lbs. 19.8 oz.

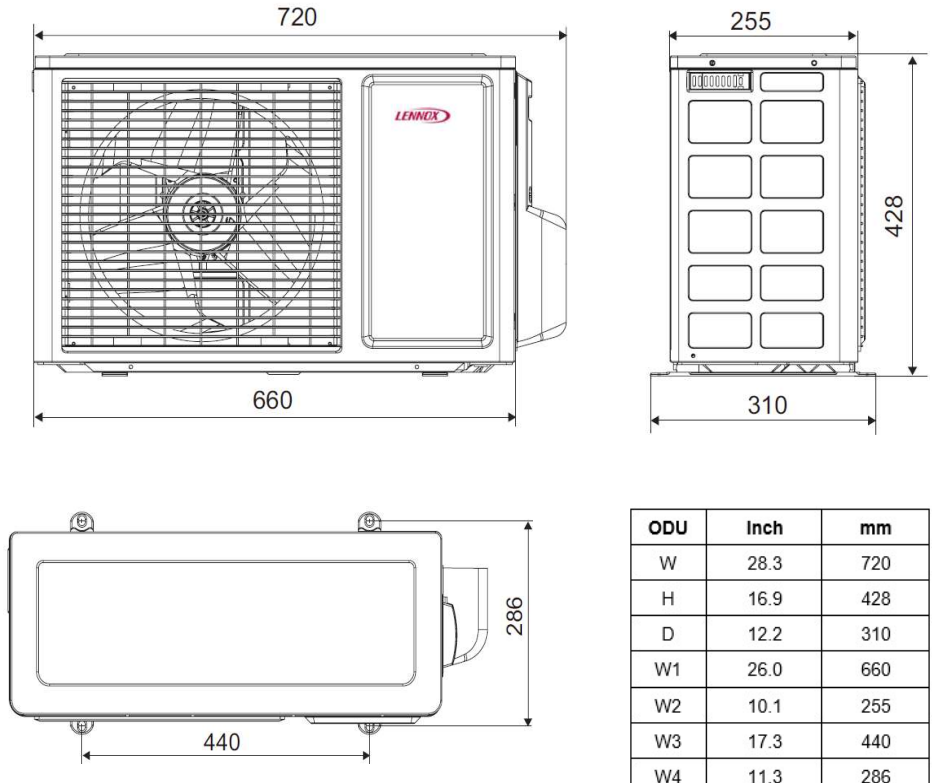
**DIMENSIONS**

Unit Dimensions (in)	Height	16.9
	Width	28.3
	Depth	12.2
Shipping Weight (lb)		56.2
Net Weight (lb)		51.8

**NOTES**

1. Cooling and Heating Capacity data is rated at the following conditions:  
Cooling: 80°FDB / 67°FWB Indoor, 95°FDB/75°FWB Outdoor  
Heating: 68°FDB / 59°FWB Indoor, 44.6°FDB/ 42.8°FWB Outdoor

**OUTDOOR DIMENSIONAL DRAWINGS - INCHES (MM)**



**NOTE** – Due to Lennox' ongoing commitment to quality, Specifications, Ratings, and Dimensions are subject to change without notice and without incurring liability. Improper installation, adjustment, alteration, service or maintenance can cause property damage or personal injury. Installation and service must be performed by a qualified installer and servicing agency



**SUBMITTAL DATA – WALL-MOUNTED  
LM009CO-100V432-1 - LM009CI-100V432-1  
SINGLE ZONE MINI-SPLIT COOLING ONLY**

**INDOOR SPECIFICATIONS**

**PERFORMANCE**

Airflow (CFM)	Turbo	282
	High	247
	Medium	230
	Low	188
External Static Pressure (in. w.g.)		-
Sound Pressure (dBA)	Turbo	41
	High	37
	Medium	32
	Low	28

**ELECTRICAL DATA**

Power Supply (V/Hz/ϕ)	115/60/1
Rated load amps (RLA)	.27
Power Output (W)	15

**DIMENSIONS**

Unit Dimensions (in)	Height	10.6
	Width	28
	Depth	7.7
Unit Net/Shipping Weight (lb)		18.7/22

**WIRELESS REMOTE CONTROLLER SPECIFICATIONS**

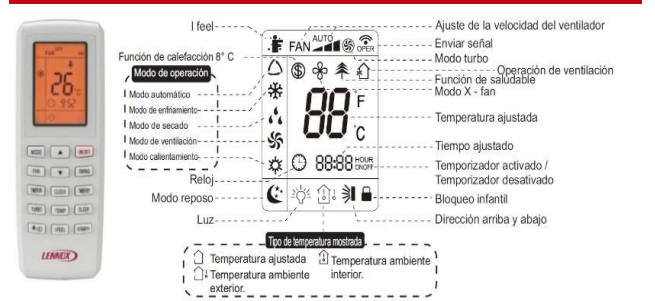
**Y6185**

Power Supply	2 AAA Batteries (Included)
--------------	-------------------------------

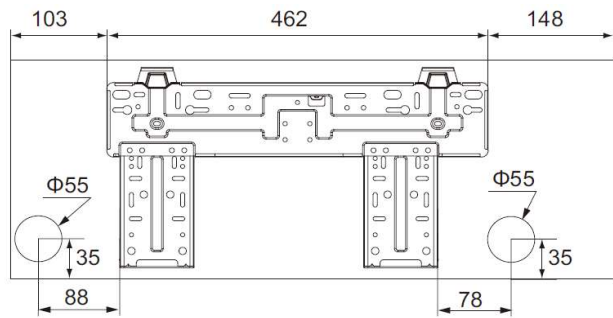
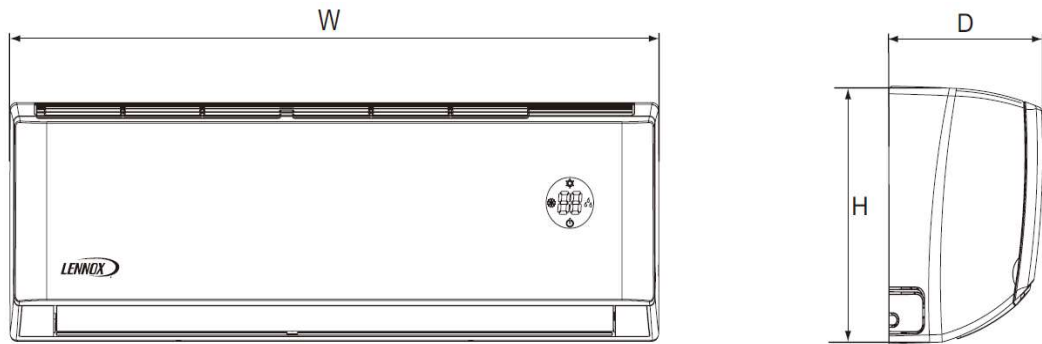
Setpoint Range	61°F(16°C) - 86°F(30°C)
----------------	-------------------------

Effective Receiving Range	26 ft.(8m)
---------------------------	------------

**DISPLAY**



**INDOOR DIMENSIONAL DRAWINGS - INCHES (MM)**



IDU	Inch	mm
W	28	713
H	10.6	270
D	7.7	195

**NOTE** – Due to Lennox' ongoing commitment to quality, Specifications, Ratings, and Dimensions are subject to change without notice and without incurring liability. Improper installation, adjustment, alteration, service or maintenance can cause property damage or personal injury. Installation and service must be performed by a qualified installer and servicing agency