



**SUBMITTAL DATA – WALL-MOUNTED
LI009CO-160T432 - LI009CI-160T432
SINGLE ZONE INVERTER MINI-SPLIT COOLING ONLY**

Job: _____
Location: _____
Schedule No.: _____
System Designation: _____

Engineer: _____
Architect: _____
Date: _____

FEATURES

Outdoor Unit: **LI009CO-160T432**
Outdoor Unit Cat Number: **Y6725**

Indoor Unit: **LI009CI-160T432**
Indoor Unit Cat Number: **Y6724**



- 3 Meter Copper Pipe Included
- Low Ambient Cooling
- Golden Fin

- Auto Restart
- Four Selectable Fan Speeds
- Hidden LED Display
- Wireless Remote Included
- I Feel Function
- Health/Cold Plasma Function
- Carbon Filter

PIPING

Line Set and Elevation Guidelines	
Maximum Line Set Length ft. (m)	49.2 ft. (15 m)
Maximum Elevation - Outdoor Unit Below/Above Indoor Unit ft. (m)	32.8 ft. (10 m)
Liquid Line Set Diameter (in.)	1/4"
Gas Line Set Diameter (in.)	3/8"

PRODUCT WARRANTY

5 Year Limited Warranty*

OPTIONAL ACCESORIES

Wifi Module(Y9841, WSBTE05)



NOTE – Due to Lennox' ongoing commitment to quality, Specifications, Ratings, and Dimensions are subject to change without notice and without incurring liability. Improper installation, adjustment, alteration, service or maintenance can cause property damage or personal injury. Installation and service must be performed by a qualified installer and servicing agency



SUBMITTAL DATA – WALL-MOUNTED
LI009CO-160T432 - LI009CI-160T432
SINGLE ZONE INVERTER MINI-SPLIT COOLING ONLY

OUTDOOR SPECIFICATIONS

PERFORMANCE

Cooling Capacity (Btu/h)	9,008
EER(W/W)	3.22
SEER(BTUH/W)	/
Heating Capacity (Btu/h)	/
COP	/

Outdoor Fan Total Air Volume (CFM)	941
------------------------------------	-----

Ambient Temperature Operating Range	
Cooling	-5°F(-15°C) - 109°F(43°C)
Heating	/

ELECTRICAL DATA

Power Supply (V/Hz/ϕ)	Supplied by IDU
Minimum Circuit Ampacity (A)	/
Maximum Overcurrent Protection (A)	/
Outdoor Fan Motor RLA (A)	.36
Compressor RLA (A)	3.1
No. of Compressors	1

GENERAL DATA

Connection Ratio (%)	100%
Max. # of Indoor Units	1
Sound Data (dBA) - Cooling/Heating	50
Refrigerant type	R-410A
Factory refrigerant charge	1.43 lbs. 22.9 oz.

DIMENSIONS

Unit Dimensions (in)	Height	21.3
	Width	30.8
	Depth	12.6

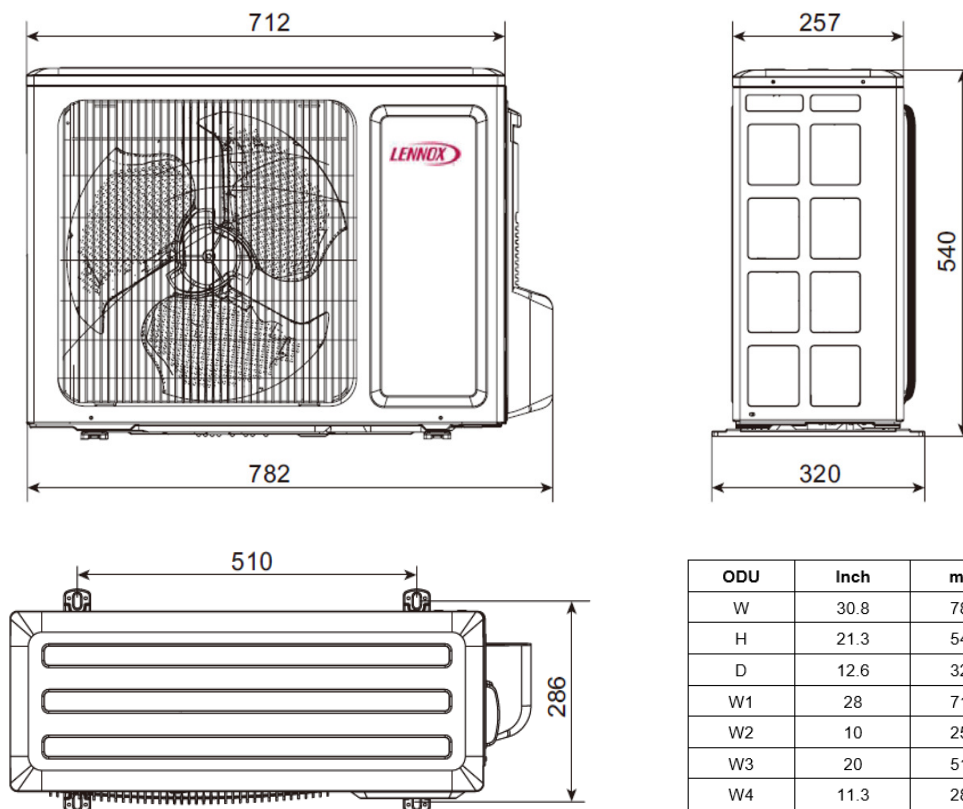
Shipping Weight (lb)	61.7
----------------------	------

Net Weight (lb)	56.2
-----------------	------

NOTES

1. Cooling and Heating Capacity data is rated at the following conditions:
 Cooling: 80°FDB / 67°F WB Indoor, 95°FDB/75°F WB Outdoor
 Heating: 70°FDB / 60°F WB Indoor, 45°FDB/ 43°F WB Outdoor

OUTDOOR DIMENSIONAL DRAWINGS - INCHES (MM)



NOTE – Due to Lennox’ ongoing commitment to quality, Specifications, Ratings, and Dimensions are subject to change without notice and without incurring liability. Improper installation, adjustment, alteration, service or maintenance can cause property damage or personal injury. Installation and service must be performed by a qualified installer and servicing agency



**SUBMITTAL DATA – WALL-MOUNTED
LI009CO-160T432 - LI009CI-160T432
SINGLE ZONE INVERTER MINI-SPLIT COOLING ONLY**

INDOOR SPECIFICATIONS

PERFORMANCE

Airflow (CFM)	Turbo	312
	High	218
	Medium	188
	Low	153
External Static Pressure (in. w.g.)		-
Sound Pressure (dBA)	Turbo	42
	High	39
	Medium	35
	Low	31

ELECTRICAL DATA

Power Supply (V/Hz/φ)	220-240/50/1
Rated load amps (RLA)	.07
Power Output (W)	10

DIMENSIONS

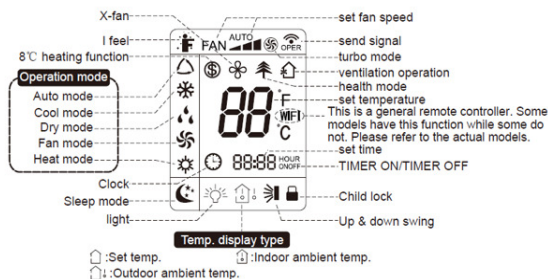
Unit Dimensions (in)	Height	10.8
	Width	31.1
	Depth	7.9
Unit Net/Shipping Weight (lb)		19.8/24.3

WIRELESS REMOTE CONTROLLER SPECIFICATIONS

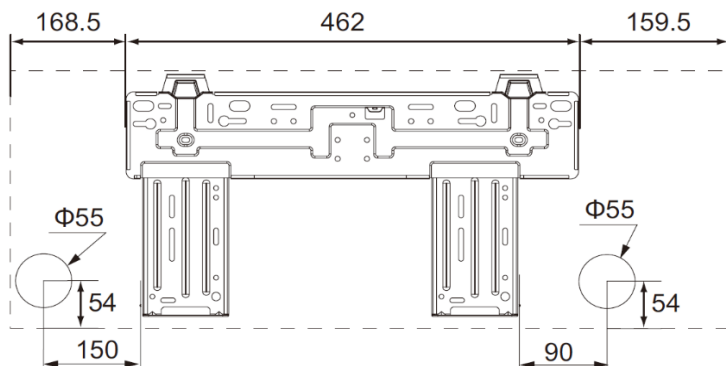
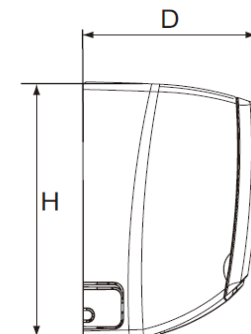
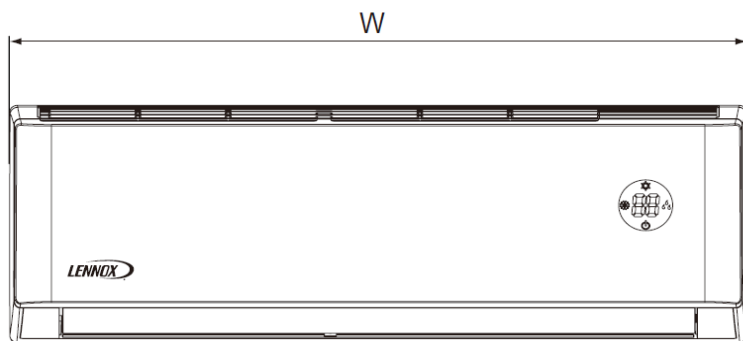
Y6334

Power Supply	2 AAA Batteries (Included)
Setpoint Range	61 °F(16°C) - 86 °F(30°C)
Effective Receiving Range	26 ft.(8m)

DISPLAY



INDOOR DIMENSIONAL DRAWINGS - INCHES (MM)



IDU	Inch	mm
W	31.1	790
H	10.8	275
D	7.9	200

NOTE – Due to Lennox' ongoing commitment to quality, Specifications, Ratings, and Dimensions are subject to change without notice and without incurring liability. Improper installation, adjustment, alteration, service or maintenance can cause property damage or personal injury. Installation and service must be performed by a qualified installer and servicing agency