



**SUBMITTAL DATA – WALL-MOUNTED
LI012CO160T432 - LI012CI-160T432
SINGLE ZONE INVERTER MINI-SPLIT COOLING ONLY**

Job: _____
Location: _____
Schedule No.: _____
System Designation: _____

Engineer: _____
Architect: _____
Date: _____

FEATURES

Outdoor Unit: **LI012CO160T432**
Outdoor Unit Cat Number: **Y6727**

Indoor Unit: **LI012CI-160T432**
Indoor Unit Cat Number: **Y6726**



- 3 Meter Copper Pipe Included
- Golden Fin

- Auto Restart
- Four Selectable Fan Speeds
- Hidden LED Display
- Wireless Remote Included
- I Feel Function
- Health/Cold Plasma Function
- Carbon Filter

PIPING

Line Set and Elevation Guidelines

Maximum Line Set Length ft. (m)	65.6 ft. (20 m)
Maximum Elevation - Outdoor Unit Below/Above Indoor Unit ft. (m)	32.8 ft. (10 m)
Liquid Line Set Diameter (in.)	1/4"
Gas Line Set Diameter (in.)	3/8"

PRODUCT WARRANTY

5 Year Limited Warranty*

OPTIONAL ACCESORIES

Wifi Module(Y9840, WSBTC04)



NOTE – Due to Lennox' ongoing commitment to quality, Specifications, Ratings, and Dimensions are subject to change without notice and without incurring liability. Improper installation, adjustment, alteration, service or maintenance can cause property damage or personal injury. Installation and service must be performed by a qualified installer and servicing agency



SUBMITTAL DATA – WALL-MOUNTED
LI012CO160T432 - LI012CI-160T432
SINGLE ZONE INVERTER MINI-SPLIT COOLING ONLY

OUTDOOR SPECIFICATIONS

PERFORMANCE	
Cooling Capacity (Btu/h)	11,942
EER(W/W)	3.21
SEER(BTUH/W)	/
Heating Capacity (Btu/h)	/
COP	/

Outdoor Fan Total Air Volume (CFM)	941
Ambient Temperature Operating Range	
Cooling	64 °F(18°C) - 109 °F(43°C)
Heating	/

ELECTRICAL DATA	
Power Supply (V/Hz/ϕ)	Supplied by IDU
Minimum Circuit Ampacity (A)	/
Maximum Overcurrent Protection (A)	/
Outdoor Fan Motor RLA (A)	.36
Compressor RLA (A)	4.6
No. of Compressors	1

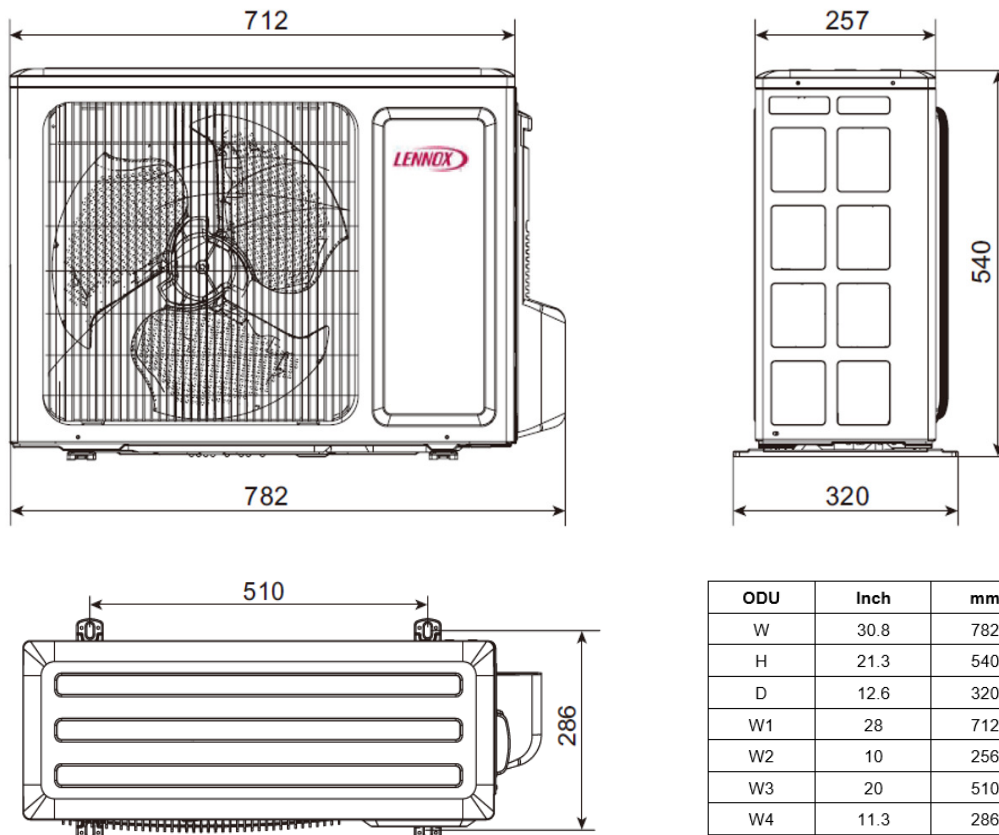
GENERAL DATA	
Connection Ratio (%)	100%
Max. # of Indoor Units	1
Sound Data (dBA) - Cooling/Heating	49
Refrigerant type	R-410A
Factory refrigerant charge	1.76 lbs. 28.2 oz.

DIMENSIONS		
Unit Dimensions (in)	Height	21.3
	Width	30.8
	Depth	12.6
Shipping Weight (lb)	67.3	
Net Weight (lb)	61.7	

NOTES

1. Cooling and Heating Capacity data is rated at the following conditions:
 Cooling: 80 °FDB / 67 °FWB Indoor, 95 °FDB/75 °FWB Outdoor
 Heating: 70 °FDB / 60 °FWB Indoor, 45 °FDB/ 43 °FWB Outdoor

OUTDOOR DIMENSIONAL DRAWINGS - INCHES (MM)



NOTE – Due to Lennox’ ongoing commitment to quality, Specifications, Ratings, and Dimensions are subject to change without notice and without incurring liability. Improper installation, adjustment, alteration, service or maintenance can cause property damage or personal injury. Installation and service must be performed by a qualified installer and servicing agency



**SUBMITTAL DATA – WALL-MOUNTED
LI012CO160T432 - LI012CI-160T432
SINGLE ZONE INVERTER MINI-SPLIT COOLING ONLY**

INDOOR SPECIFICATIONS

PERFORMANCE

Airflow (CFM)	Turbo	400
	High	318
	Medium	253
	Low	194
External Static Pressure (in. w.g.)		-
Sound Pressure (dBA)	Turbo	42
	High	38
	Medium	34
	Low	28

ELECTRICAL DATA

Power Supply (V/Hz/φ)	220-240/50/1
Rated load amps (RLA)	.31
Power Output (W)	20

DIMENSIONS

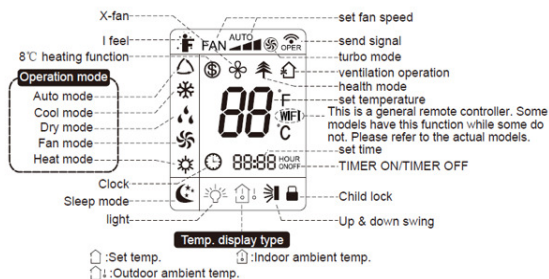
Unit Dimensions (in)	Height	11.4
	Width	33.2
	Depth	8.2
Unit Net/Shipping Weight (lb)		24.3/28.7

WIRELESS REMOTE CONTROLLER SPECIFICATIONS

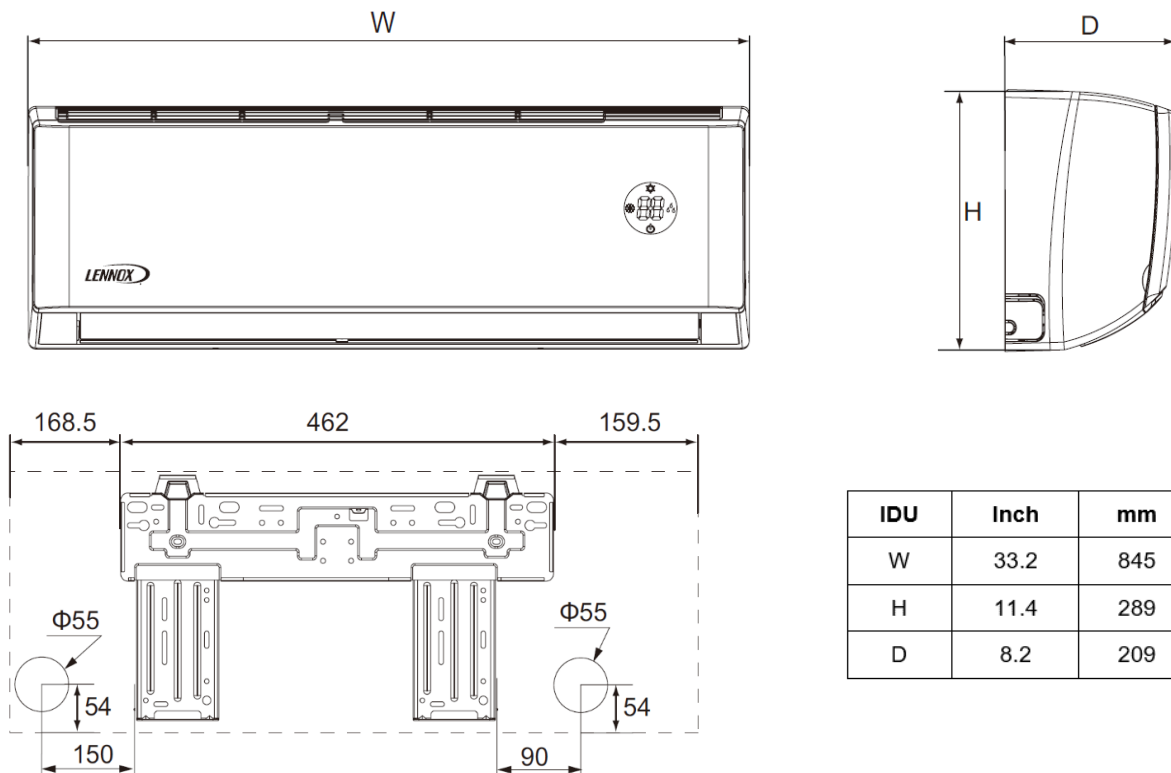
Y6334

Power Supply	2 AAA Batteries (Included)
Setpoint Range	61°F(16°C) - 86°F(30°C)
Effective Receiving Range	26 ft.(8m)

DISPLAY



INDOOR DIMENSIONAL DRAWINGS - INCHES (MM)



NOTE – Due to Lennox’ ongoing commitment to quality, Specifications, Ratings, and Dimensions are subject to change without notice and without incurring liability. Improper installation, adjustment, alteration, service or maintenance can cause property damage or personal injury. Installation and service must be performed by a qualified installer and servicing agency