



**SUBMITTAL DATA – WALL-MOUNTED
LI024HO-160T432 – LI024HI-160T432
SINGLE ZONE INVERTER MINI-SPLIT HEAT PUMP**

Job: _____
Location: _____
Schedule No.: _____
System Designation: _____

Engineer: _____
Architect: _____
Date: _____

FEATURES

Outdoor Unit: **LI024HO-160T432**
Outdoor Unit Cat Number: **Y6739**

Indoor Unit: **LI024HI-160T432**
Indoor Unit Cat Number: **Y6738**



- 3 Meter Copper Pipe Included
- Electronic Expansion Valve
- Low Ambient Cooling
- European SEER Class A++
- European SCOP Class A+
- Chile IEE Class A
- Goldfin

- Auto Restart
- Four Selectable Fan Speeds
- Hidden LED Display
- Wireless Remote Included
- I Feel Function
- Health Function
- Carbon Filter

PIPING

Line Set and Elevation Guidelines	
Maximum Line Set Length ft. (m)	82 ft. (25 m)
Maximum Elevation - Outdoor Unit Below/Above Indoor Unit ft. (m)	32.8 ft. (10 m)
Liquid Line Set Diameter (in.)	1/4"
Gas Line Set Diameter (in.)	5/8"

PRODUCT WARRANTY

5 Year Limited Warranty*

OPTIONAL ACCESORIES

Wifi Module(Y9840, WSBTE04)



NOTE – Due to Lennox' ongoing commitment to quality, Specifications, Ratings, and Dimensions are subject to change without notice and without incurring liability. Improper installation, adjustment, alteration, service or maintenance can cause property damage or personal injury. Installation and service must be performed by a qualified installer and servicing agency



**SUBMITTAL DATA – WALL-MOUNTED
LI024HO-160T432 – LI024HI-160T432
SINGLE ZONE INVERTER MINI-SPLIT HEAT PUMP**

OUTDOOR SPECIFICATIONS

PERFORMANCE	
Cooling Capacity (Btu/h)	22,860
EER(W/W)	3.57
ESEER(W/W)	6.3
Heating Capacity (Btu/h)	24,737
COP	3.73

Outdoor Fan Total Air Volume (CFM)	1,882
Ambient Temperature Operating Range	
Cooling	5°F(-15°C) - 109°F(43°C)
Heating	-4°F(-20°C) - 75°F(24°C)

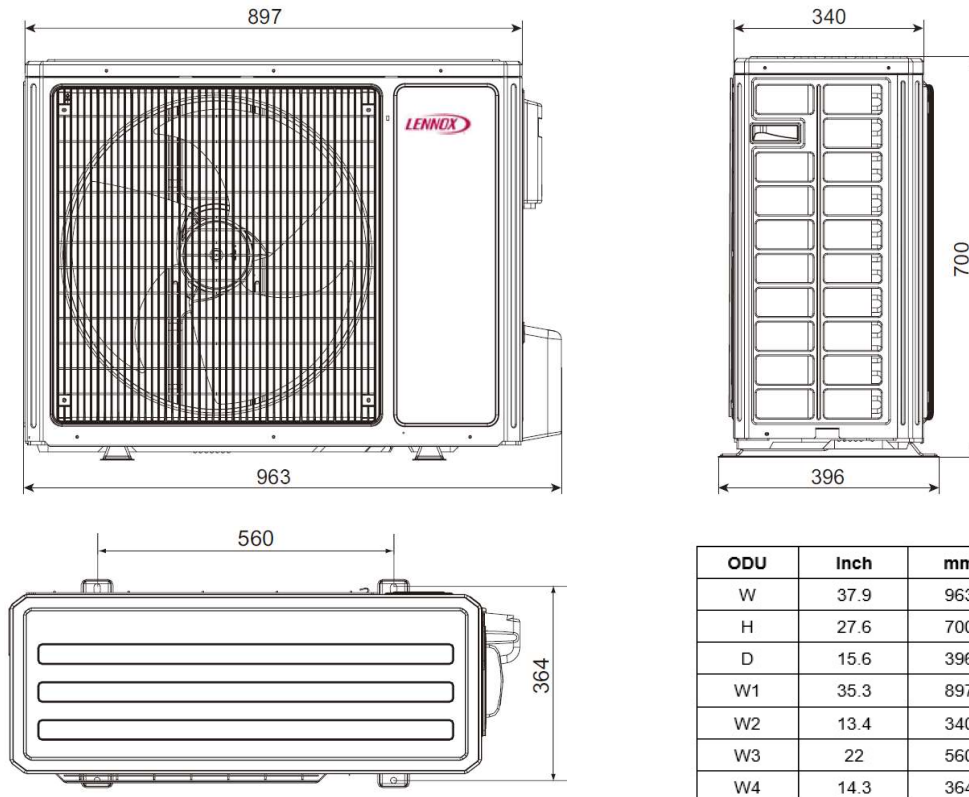
ELECTRICAL DATA	
Power Supply (V/Hz/ϕ)	220-240/50/1
Minimum Circuit Ampacity (A)	/
Maximum Overcurrent Protection (A)	/
Outdoor Fan Motor RLA (A)	.58
Compressor RLA (A)	11.5
No. of Compressors	1

GENERAL DATA	
Connection Ratio (%)	100%
Max. # of Indoor Units	1
Sound Data (dBA) - Cooling/Heating	60
Refrigerant type	R-410A
Factory refrigerant charge	4.19 lbs. 67 oz.

DIMENSIONS		
Unit Dimensions (in)	Height	27.6
	Width	37.9
	Depth	15.6
Shipping Weight (lb)		126.8
Net Weight (lb)		116.9

NOTES
 1. Cooling and Heating Capacity data is rated at the following conditions:
 Cooling: 80°FDB / 67°FWB Indoor, 95°FDB/75°FWB Outdoor
 Heating: 70°FDB / 60°FWB Indoor, 45°FDB/ 43°FWB

OUTDOOR DIMENSIONAL DRAWINGS - INCHES (MM)



NOTE – Due to Lennox' ongoing commitment to quality, Specifications, Ratings, and Dimensions are subject to change without notice and without incurring liability. Improper installation, adjustment, alteration, service or maintenance can cause property damage or personal injury. Installation and service must be performed by a qualified installer and servicing agency



**SUBMITTAL DATA – WALL-MOUNTED
LI024HO-160T432 – LI024HI-160T432
SINGLE ZONE INVERTER MINI-SPLIT HEAT PUMP**

INDOOR SPECIFICATIONS

PERFORMANCE

Airflow (CFM)	Turbo	677
	High	618
	Medium	559
	Low	500
External Static Pressure (in. w.g.)		-
Sound Pressure (dBA)	Turbo	48
	High	45
	Medium	42
	Low	39

ELECTRICAL DATA

Power Supply (V/Hz/ϕ)	Supplied by ODU
Rated load amps (RLA)	.35
Power Output (W)	35

DIMENSIONS

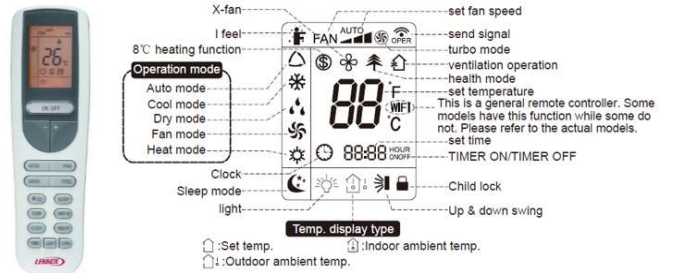
Unit Dimensions (in)	Height	12.8
	Width	42.4
	Depth	9.7
Unit Net/Shipping Weight (lb)		37.5/45.2

WIRELESS REMOTE CONTROLLER SPECIFICATIONS

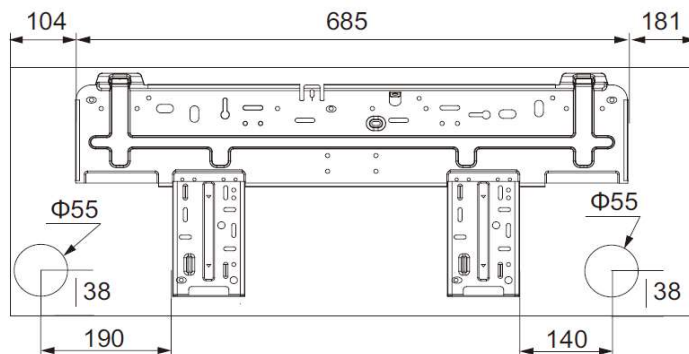
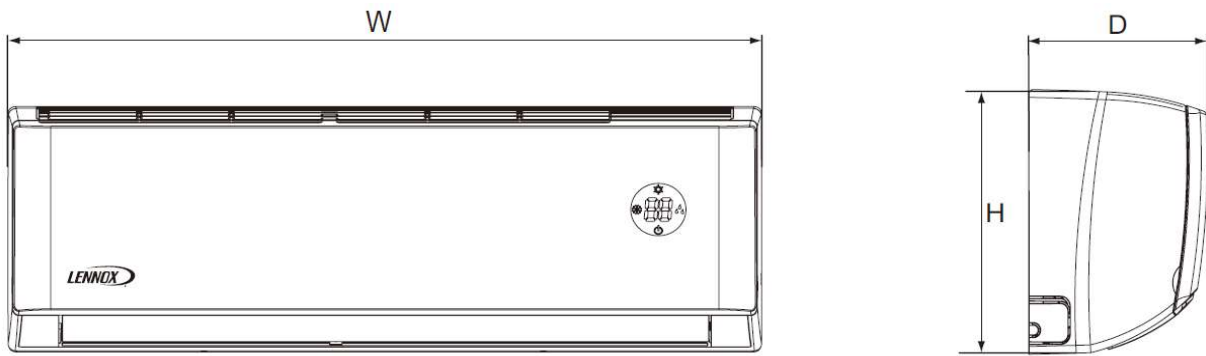
Y6334

Power Supply	2 AAA Batteries (Included)
Setpoint Range	61°F(16°C) - 86°F(30°C)
Effective Receiving Range	26 ft.(8m)

DISPLAY



INDOOR DIMENSIONAL DRAWINGS - INCHES (MM)



IDU	Inch	mm
W	42.4	1078
H	12.8	325
D	9.7	246

NOTE – Due to Lennox' ongoing commitment to quality, Specifications, Ratings, and Dimensions are subject to change without notice and without incurring liability. Improper installation, adjustment, alteration, service or maintenance can cause property damage or personal injury. Installation and service must be performed by a qualified installer and servicing agency