



**SUBMITTAL DATA – WALL-MOUNTED
LM12HO-100T432-1 – LM12HI-100T432-1
SINGLE ZONE MINI-SPLIT HEAT PUMP**

Job: _____
Location: _____
Schedule No.: _____
System Designation: _____

Engineer: _____
Architect: _____
Date: _____

FEATURES

Outdoor Unit: **LM12HO-100T432-1**
Outdoor Unit Cat Number: **Y6771**

Indoor Unit: **LM12HI-100T432-1**
Indoor Unit Cat Number: **Y6770**



- 3 Meter Copper Pipe Included

- Auto Restart
- Four Selectable Fan Speeds
- Hidden LED Display
- Wireless Remote Included
- I Feel Function
- Health Function

PIPING

Line Set and Elevation Guidelines	
Maximum Line Set Length ft. (m)	65.6 ft. (20 m)
Maximum Elevation - Outdoor Unit Below/Above Indoor Unit ft. (m)	32.8 ft. (10 m)
Liquid Line Set Diameter (in.)	1/4"
Gas Line Set Diameter (in.)	1/2"

PRODUCT WARRANTY

5 Year Limited Warranty*

OPTIONAL ACCESORIES

Filter



NOTE – Due to Lennox' ongoing commitment to quality, Specifications, Ratings, and Dimensions are subject to change without notice and without incurring liability. Improper installation, adjustment, alteration, service or maintenance can cause property damage or personal injury. Installation and service must be performed by a qualified installer and servicing agency



**SUBMITTAL DATA – WALL-MOUNTED
LM12HO-100T432-1 – LM12HI-100T432-1
SINGLE ZONE MINI-SPLIT HEAT PUMP**

OUTDOOR SPECIFICATIONS

PERFORMANCE	
Cooling Capacity (Btu/h)	12,113
EER(W/W)	3.21
SEER(BTUH/W)	/
Heating Capacity (Btu/h)	12,624
COP	3.61

Outdoor Fan Total Air Volume (CFM)	1,059
Ambient Temperature Operating Range	
Cooling	64°F(18°C) - 109°F(43°C)
Heating	19°F(-7°C) - 75°F(24°C)

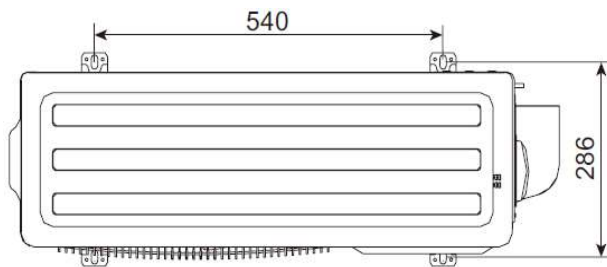
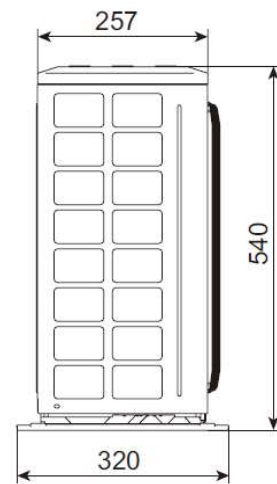
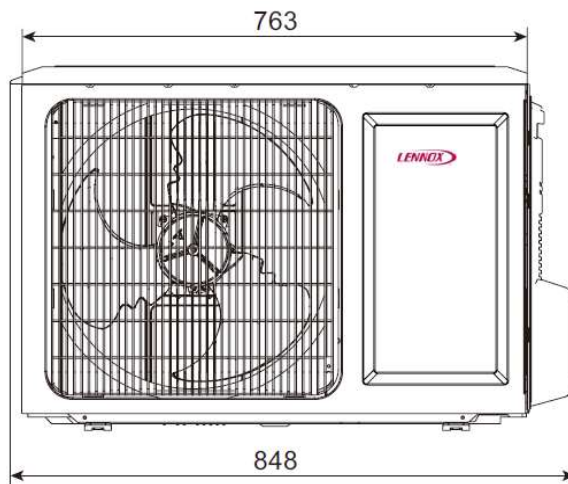
ELECTRICAL DATA	
Power Supply (V/Hz/ϕ)	Supplied by IDU
Minimum Circuit Ampacity (A)	/
Maximum Overcurrent Protection (A)	/
Outdoor Fan Motor RLA (A)	.45
Compressor RLA (A)	5.17
No. of Compressors	1

GENERAL DATA	
Connection Ratio (%)	100%
Max. # of Indoor Units	1
Sound Data (dBA) - Cooling/Heating	52
Refrigerant type	R-410A
Factory refrigerant charge	1.76 lbs. 28.2 oz.

DIMENSIONS		
Unit Dimensions (in)	Height	21.3
	Width	33.4
	Depth	12.6
Shipping Weight (lb)		78.3
Net Weight (lb)		72.8

NOTES
1. Cooling and Heating Capacity data is rated at the following conditions:
Cooling: 80°FDB / 67°F WB Indoor, 95°FDB/75°F WB Outdoor
Heating: 68°FDB / 59°F WB Indoor, 45°FDB/ 43°F WB Outdoor

OUTDOOR DIMENSIONAL DRAWINGS - INCHES (MM)



ODU	Inch	mm
W	33.4	848
H	21.3	540
D	12.6	320
W1	30	763
W2	10	257
W3	21.26	540
W4	11.3	286

NOTE – Due to Lennox’ ongoing commitment to quality, Specifications, Ratings, and Dimensions are subject to change without notice and without incurring liability. Improper installation, adjustment, alteration, service or maintenance can cause property damage or personal injury. Installation and service must be performed by a qualified installer and servicing agency



**SUBMITTAL DATA – WALL-MOUNTED
LM12HO-100T432-1 – LM12HI-100T432-1
SINGLE ZONE MINI-SPLIT HEAT PUMP**

INDOOR SPECIFICATIONS

PERFORMANCE

Airflow (CFM)	Turbo	371
	High	318
	Medium	271
	Low	194
External Static Pressure (in. w.g.)		-
Sound Pressure (dBA)	Turbo	41
	High	37
	Medium	33
	Low	29

ELECTRICAL DATA

Power Supply (V/Hz/ϕ)	220-240/50/1
Rated load amps (RLA)	.31
Power Output (W)	20

DIMENSIONS

Unit Dimensions (in)	Height	11.4
	Width	33.2
	Depth	8.2
Unit Net/Shipping Weight (lb)		23.2/27.6

WIRELESS REMOTE CONTROLLER SPECIFICATIONS

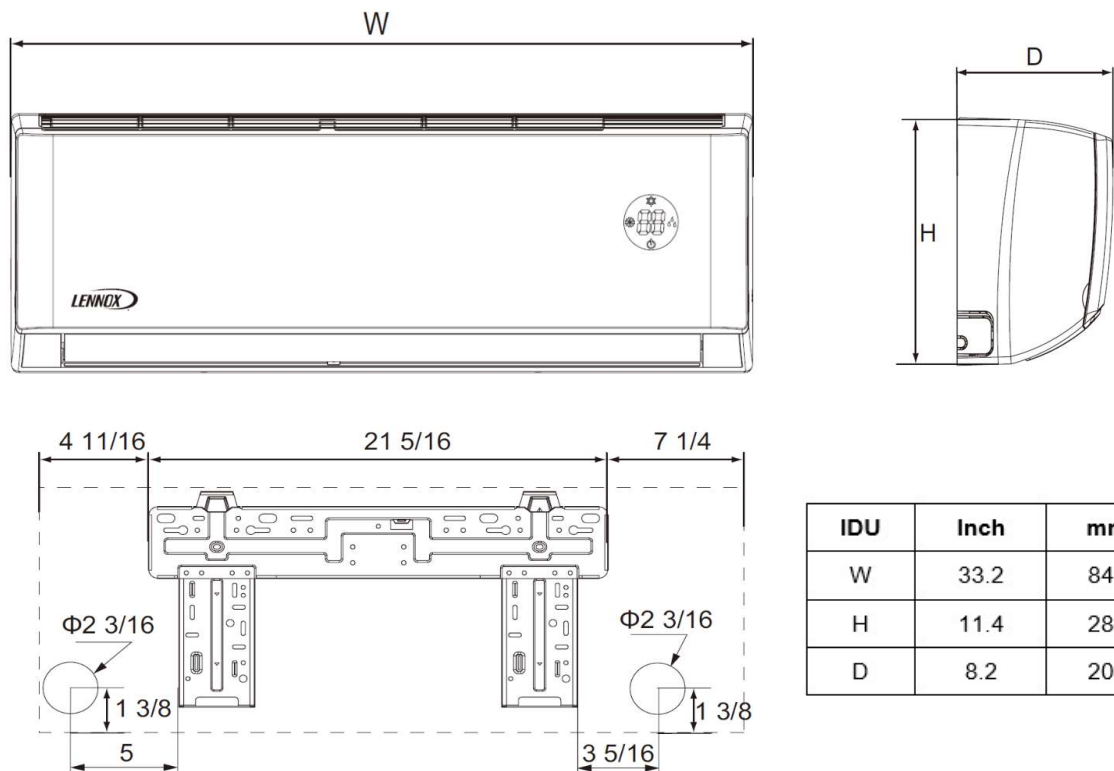
Y6185

Power Supply	2 AAA Batteries (Included)
Setpoint Range	61°F(16°C) - 86°F(30°C)
Effective Receiving Range	26 ft.(8m)

DISPLAY

I feel
 Función de calefacción 8° C
 Modo de operación
 Modo automático
 Modo de enfriamiento
 Modo de secado
 Modo de ventilación
 Modo calentamiento
 Reloj
 Modo reposo
 Luz
 Tipo de temperatura mostrada
 Temperatura ajustada
 Temperatura ambiente interior
 Temperatura ambiente exterior
 Ajuste de la velocidad del ventilador
 Enviar señal
 Modo turbo
 Operación de ventilación
 Función de saludable
 Modo X - fan
 Temperatura ajustada
 Tiempo ajustado
 Temporizador activado / Temporizador desactivado
 Bloqueo infantil
 Dirección arriba y abajo

INDOOR DIMENSIONAL DRAWINGS - INCHES (MM)



NOTE – Due to Lennox' ongoing commitment to quality, Specifications, Ratings, and Dimensions are subject to change without notice and without incurring liability. Improper installation, adjustment, alteration, service or maintenance can cause property damage or personal injury. Installation and service must be performed by a qualified installer and servicing agency