



**SUBMITTAL DATA – WALL-MOUNTED  
LM24CO-100T432-1 – LM24CI-100T432-1  
SINGLE ZONE MINI-SPLIT COOLING ONLY**

Job: \_\_\_\_\_  
Location: \_\_\_\_\_  
Schedule No.: \_\_\_\_\_  
System Designation: \_\_\_\_\_

Engineer: \_\_\_\_\_  
Architect: \_\_\_\_\_  
Date: \_\_\_\_\_

**FEATURES**

Outdoor Unit: **LM24CO-100T432-1**  
Outdoor Unit Cat Number: **Y6767**

Indoor Unit: **LM24CI-100T432-1**  
Indoor Unit Cat Number: **Y6766**



- 3 Meter Copper Pipe Included



- Auto Restart
- Four Selectable Fan Speeds
- Hidden LED Display
- Wireless Remote Included
- I Feel Function
- Health Function

**PIPING**

Line Set and Elevation Guidelines	
Maximum Line Set Length ft. (m)	82.0 ft. (25 m)
Maximum Elevation - Outdoor Unit Below/Above Indoor Unit ft. (m)	32.8 ft. (10 m)
Liquid Line Set Diameter (in.)	1/4"
Gas Line Set Diameter (in.)	5/8"

**PRODUCT WARRANTY**

5 Year Limited Warranty\*  
\_\_\_\_\_  
\_\_\_\_\_

**OPTIONAL ACCESORIES**

Filter  
\_\_\_\_\_  
\_\_\_\_\_

**NOTE** – Due to Lennox' ongoing commitment to quality, Specifications, Ratings, and Dimensions are subject to change without notice and without incurring liability. Improper installation, adjustment, alteration, service or maintenance can cause property damage or personal injury. Installation and service must be performed by a qualified installer and servicing agency



**SUBMITTAL DATA – WALL-MOUNTED  
LM24CO-100T432-1 – LM24CI-100T432-1  
SINGLE ZONE MINI-SPLIT COOLING ONLY**

**OUTDOOR SPECIFICATIONS**

PERFORMANCE	
Cooling Capacity (Btu/h)	24,000
EER(W/W)	3.25
SEER(BTUH/W)	/
Heating Capacity (Btu/h)	/
COP	/

Outdoor Fan Total Air Volume (CFM)	1,882
Ambient Temperature Operating Range	
Cooling	64°F(18°C) - 109°F(43°C)
Heating	/

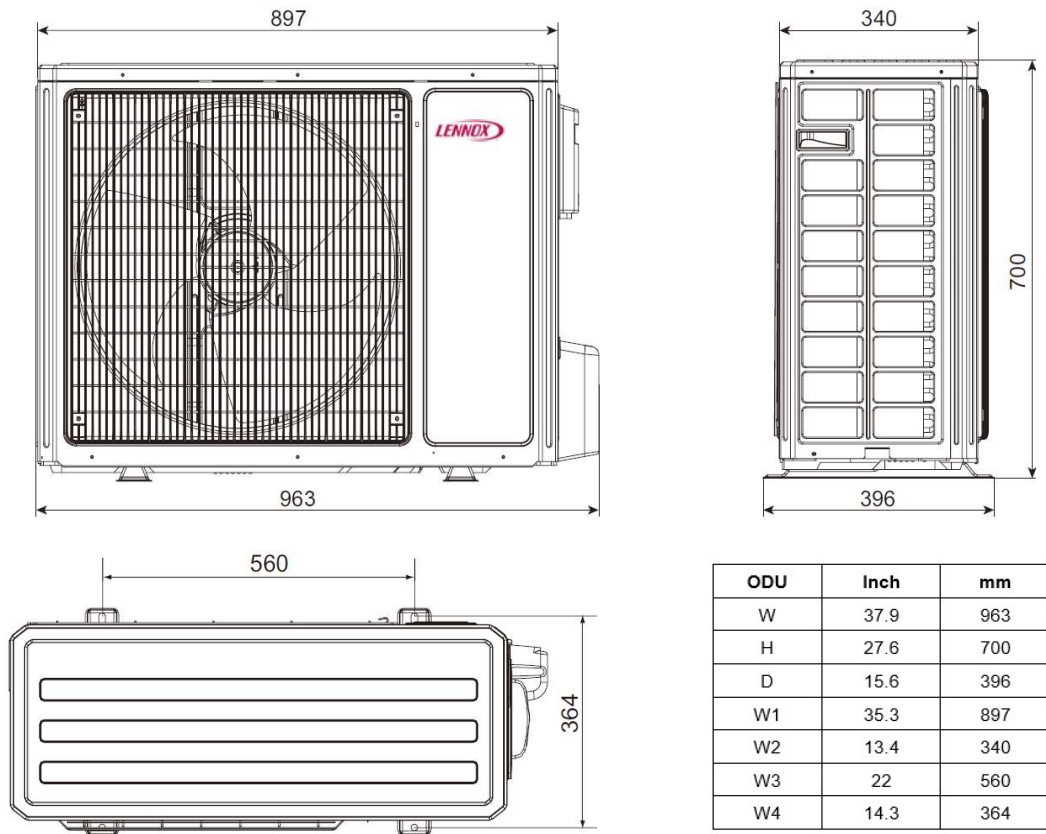
ELECTRICAL DATA	
Power Supply (V/Hz/ϕ)	Supplied by IDU
Minimum Circuit Ampacity (A)	/
Maximum Overcurrent Protection (A)	/
Outdoor Fan Motor RLA (A)	.56
Compressor RLA (A)	8.9
No. of Compressors	1

GENERAL DATA	
Connection Ratio (%)	100%
Max. # of Indoor Units	1
Sound Data (dBA) - Cooling/Heating	54
Refrigerant type	R-410A
Factory refrigerant charge	3.53 lbs. 56.4 oz.

DIMENSIONS		
Unit Dimensions (in)	Height	27.6
	Width	37.9
	Depth	15.6
Shipping Weight (lb)	124.6	
Net Weight (lb)	114.7	

**NOTES**  
1. Cooling and Heating Capacity data is rated at the following conditions:  
Cooling: 80°FDB / 67°FWB Indoor, 95°FDB/75°FWB Outdoor  
Heating: 68°FDB / 59°FWB Indoor, 45°FDB/ 43°FWB Outdoor

**OUTDOOR DIMENSIONAL DRAWINGS - INCHES (MM)**



**NOTE** – Due to Lennox’ ongoing commitment to quality, Specifications, Ratings, and Dimensions are subject to change without notice and without incurring liability. Improper installation, adjustment, alteration, service or maintenance can cause property damage or personal injury. Installation and service must be performed by a qualified installer and servicing agency



**SUBMITTAL DATA – WALL-MOUNTED  
LM24CO-100T432-1 – LM24CI-100T432-1  
SINGLE ZONE MINI-SPLIT COOLING ONLY**

**INDOOR SPECIFICATIONS**

**PERFORMANCE**

Airflow (CFM)	Turbo	736
	High	647
	Medium	565
	Low	483
External Static Pressure (in. w.g.)		-
Sound Pressure (dBA)	Turbo	48
	High	45
	Medium	40
	Low	37

**ELECTRICAL DATA**

Power Supply (V/Hz/φ)	220-240/50/1
Rated load amps (RLA)	.35
Power Output (W)	35

**DIMENSIONS**

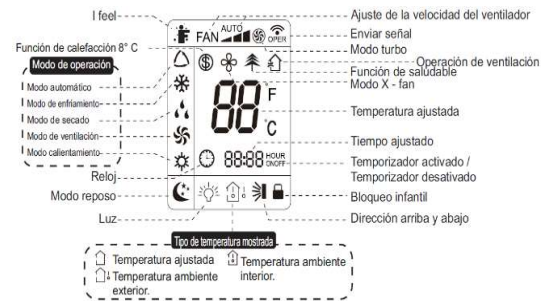
Unit Dimensions (in)	Height	12.8
	Width	42.4
	Depth	9.7
Unit Net/Shipping Weight (lb)		35.3/43

**WIRELESS REMOTE CONTROLLER SPECIFICATIONS**

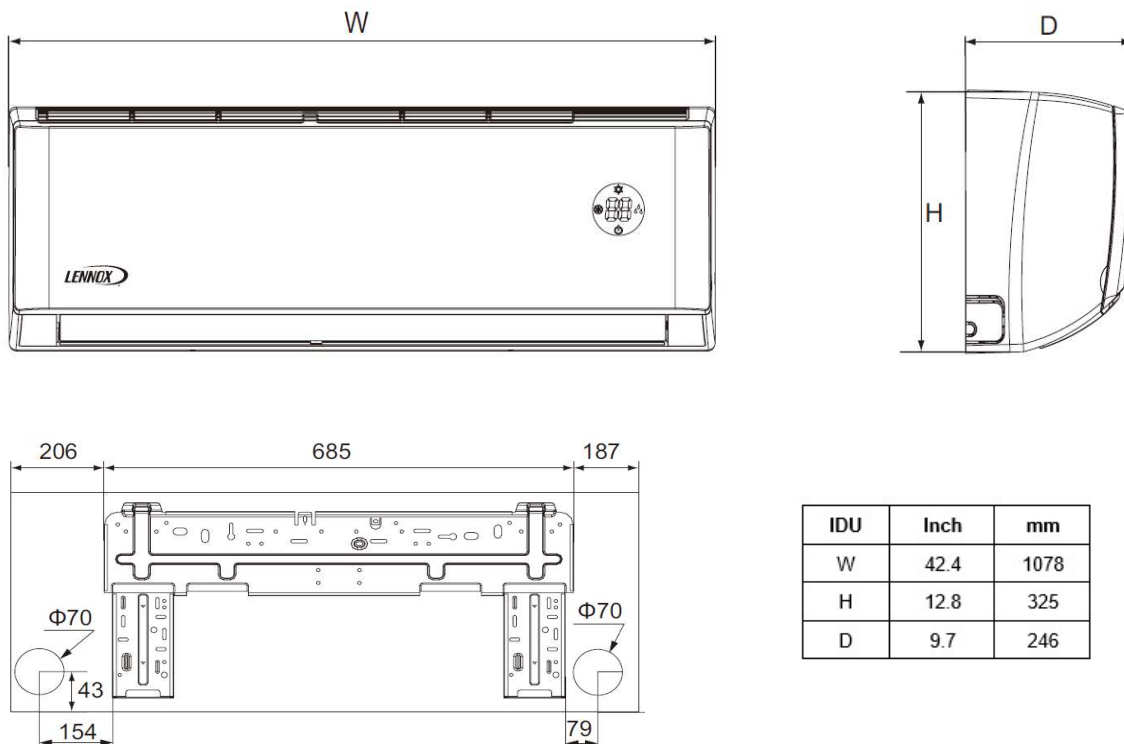
**Y6185**

Power Supply	2 AAA Batteries (Included)
Setpoint Range	61°F(16°C) - 86°F(30°C)
Effective Receiving Range	26 ft.(8m)

**DISPLAY**



**INDOOR DIMENSIONAL DRAWINGS - INCHES (MM)**



**NOTE** – Due to Lennox' ongoing commitment to quality, Specifications, Ratings, and Dimensions are subject to change without notice and without incurring liability. Improper installation, adjustment, alteration, service or maintenance can cause property damage or personal injury. Installation and service must be performed by a qualified installer and servicing agency