



**SUBMITTAL DATA – WALL-MOUNTED  
LM36HO-012T432 – LM36HI-012T432  
SINGLE ZONE MINI-SPLIT HEAT PUMP**

Job: \_\_\_\_\_  
Location: \_\_\_\_\_  
Schedule No.: \_\_\_\_\_  
System Designation: \_\_\_\_\_

Engineer: \_\_\_\_\_  
Architect: \_\_\_\_\_  
Date: \_\_\_\_\_

**FEATURES**

Outdoor Unit: **LM36HO-012T432**  
Outdoor Unit Cat Number: **18M48**

Indoor Unit: **LM36HI-012T432**  
Indoor Unit Cat Number: **18M47**



- 4 Meter Copper Pipe Included

- Auto Restart
- Four Selectable Fan Speeds
- Hidden LED Display
- Wireless Remote Included
- I Feel Function

**PIPING**

Line Set and Elevation Guidelines	
Maximum Line Set Length ft. (m)	98.4 ft. (30 m)
Maximum Elevation - Outdoor Unit Below/Above Indoor Unit ft. (m)	65.6 ft. (20 m)
Liquid Line Set Diameter (in.)	1/4"
Gas Line Set Diameter (in.)	3/4"

**PRODUCT WARRANTY**

5 Year Limited Warranty\*  
\_\_\_\_\_  
\_\_\_\_\_

**OPTIONAL ACCESORIES**

Cold Plasma Generator  
Filter  
\_\_\_\_\_  
\_\_\_\_\_

**NOTE** – Due to Lennox' ongoing commitment to quality, Specifications, Ratings, and Dimensions are subject to change without notice and without incurring liability. Improper installation, adjustment, alteration, service or maintenance can cause property damage or personal injury. Installation and service must be performed by a qualified installer and servicing agency



**SUBMITTAL DATA – WALL-MOUNTED  
LM36HO-012T432 – LM36HI-012T432  
SINGLE ZONE MINI-SPLIT HEAT PUMP**

**OUTDOOR SPECIFICATIONS**

**PERFORMANCE**

Cooling Capacity (Btu/h)	32,300
EER(W/W)	3.46
SEER(BTUH/W)	/
Heating Capacity (Btu/h)	34,000
COP	3.46

Outdoor Fan Total Air Volume (CFM)	2,353
------------------------------------	-------

**Ambient Temperature Operating Range**

Cooling	64°F(18°C) - 126°F(52°C)
Heating	19°F(-7°C) - 75°F(24°C)

**ELECTRICAL DATA**

Power Supply (V/Hz/ϕ)	220-240/50/1
Minimum Circuit Ampacity (A)	/
Maximum Overcurrent Protection (A)	/
Outdoor Fan Motor RLA (A)	.65
Compressor RLA (A)	13
No. of Compressors	1

**GENERAL DATA**

Connection Ratio (%)	100%
Max. # of Indoor Units	1
Sound Data (dBA) - Cooling/Heating	58
Refrigerant type	R-410A
Factory refrigerant charge	5.96 lbs. 95.3 oz..

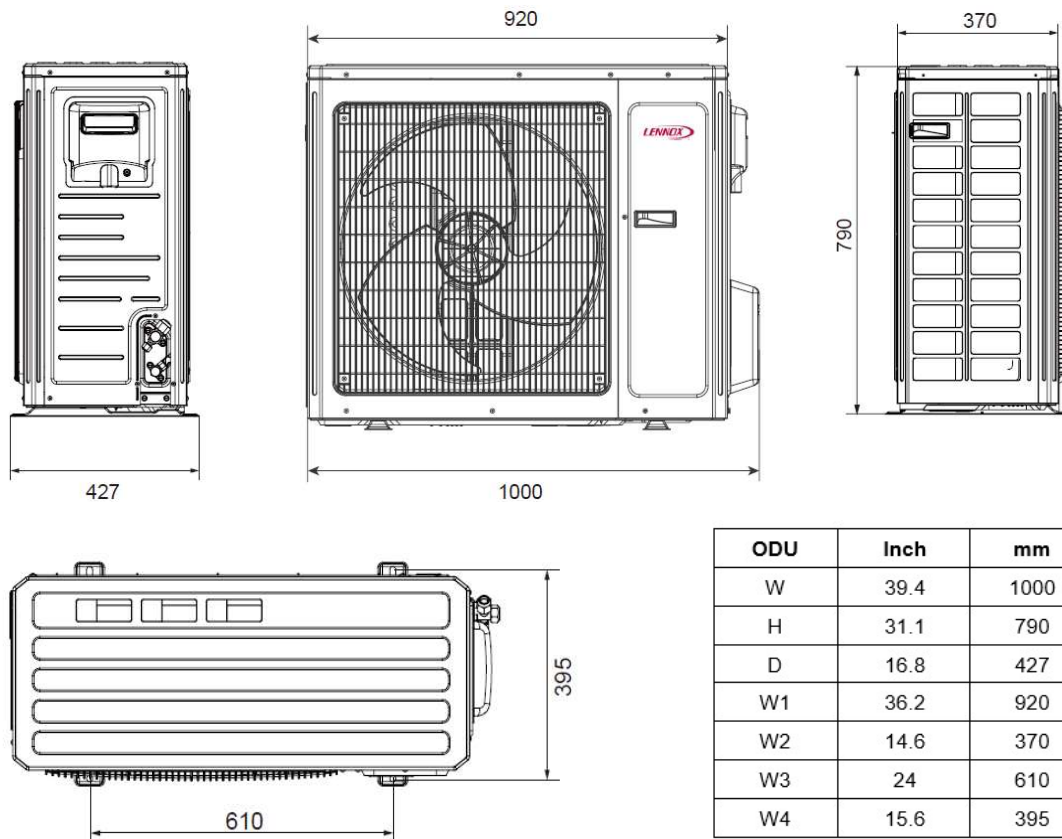
**DIMENSIONS**

Unit Dimensions (in)	Height	31.1
	Width	39.4
	Depth	16.8
Shipping Weight (lb)		178.6
Net Weight (lb)		167.6

**NOTES**

1. Cooling and Heating Capacity data is rated at the following conditions:  
Cooling: 80°FDB / 67°F WB Indoor, 95°FDB/75°F WB Outdoor  
Heating: 68°FDB / 59°F WB Indoor, 45°FDB/ 43°F WB Outdoor

**OUTDOOR DIMENSIONAL DRAWINGS - INCHES (MM)**



ODU	Inch	mm
W	39.4	1000
H	31.1	790
D	16.8	427
W1	36.2	920
W2	14.6	370
W3	24	610
W4	15.6	395

**NOTE** – Due to Lennox’ ongoing commitment to quality, Specifications, Ratings, and Dimensions are subject to change without notice and without incurring liability. Improper installation, adjustment, alteration, service or maintenance can cause property damage or personal injury. Installation and service must be performed by a qualified installer and servicing agency



**SUBMITTAL DATA – WALL-MOUNTED  
LM36HO-012T432 – LM36HI-012T432  
SINGLE ZONE MINI-SPLIT HEAT PUMP**

**INDOOR SPECIFICATIONS**

**PERFORMANCE**

Airflow (CFM)	Turbo	942
	High	765
	Medium	677
	Low	530
External Static Pressure (in. w.g.)		-
Sound Pressure (dBA)	Turbo	55
	High	50
	Medium	44
	Low	40

**ELECTRICAL DATA**

Power Supply (V/Hz/ϕ)	Supplied by ODU
Rated load amps (RLA)	.28
Power Output (W)	70

**DIMENSIONS**

Unit Dimensions (in)	Height	12.8
	Width	53.1
	Depth	10
Unit Net/Shipping Weight (lb)		41.9/51.8

**WIRELESS REMOTE CONTROLLER SPECIFICATIONS**

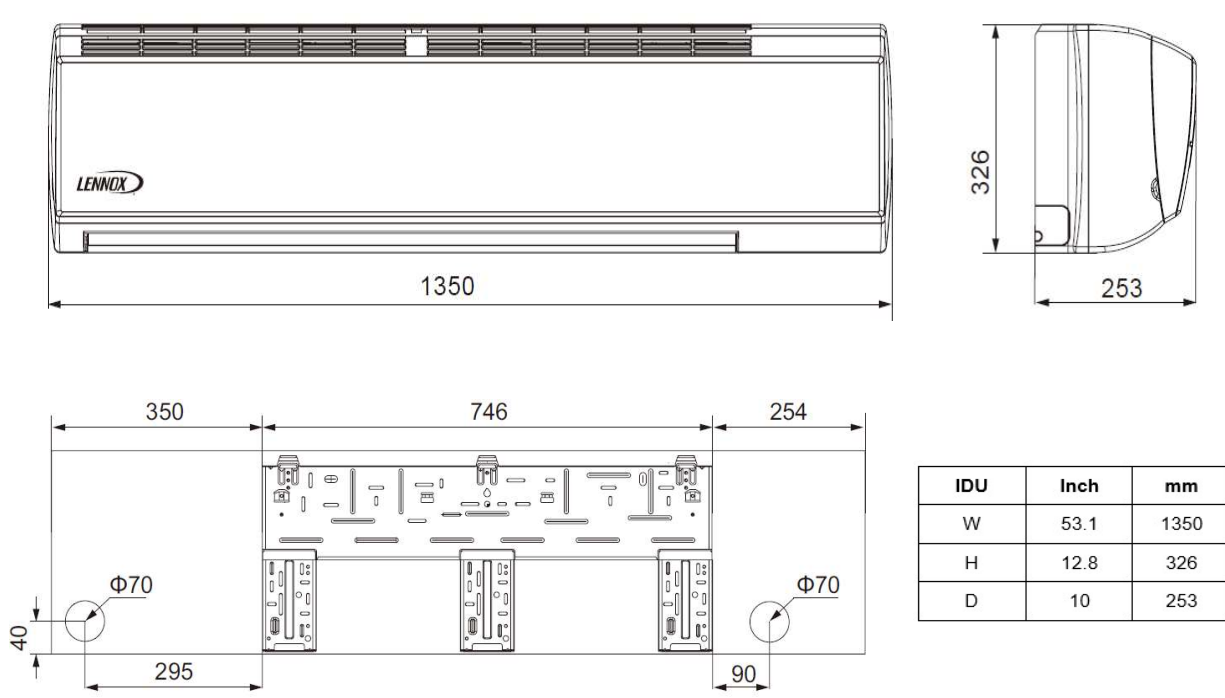
**Y6185**

Power Supply	2 AAA Batteries (Included)
Setpoint Range	61°F(16°C) - 86°F(30°C)
Effective Receiving Range	26 ft.(8m)

**DISPLAY**

I feel - Ajuste de la velocidad del ventilador  
 Función de calefacción 8° C - Enviar señal  
 Modo de operación - Modo turbo - Operación de ventilación  
 Modo automático - Función de saludable  
 Modo de enfriamiento - Modo X - fan  
 Modo de secado - Temperatura ajustada  
 Modo de ventilación - Tiempo ajustado  
 Modo calentamiento - Temporizador activado / Temporizador desactivado  
 Reloj - Bloqueo infantil  
 Modo reposo - Dirección arriba y abajo  
 Luz -  
 Tipo de temperatura mostrada  
 Temperatura ajustada Temperatura ambiente interior  
 Temperatura ambiente exterior

**INDOOR DIMENSIONAL DRAWINGS - INCHES (MM)**



**NOTE** – Due to Lennox' ongoing commitment to quality, Specifications, Ratings, and Dimensions are subject to change without notice and without incurring liability. Improper installation, adjustment, alteration, service or maintenance can cause property damage or personal injury. Installation and service must be performed by a qualified installer and servicing agency