



**SUBMITTAL DATA – WALL-MOUNTED
LI024CO-032P432- LI024CI-032P432
SINGLE ZONE INVERTER MINI-SPLIT COOLING ONLY**

Job: _____
Location: _____
Schedule No.: _____
System Designation: _____

Engineer: _____
Architect: _____
Date: _____

FEATURES

Outdoor Unit: **LI024CO-032P432**
Outdoor Unit Cat Number: **Y7311**

Indoor Unit: **LI024CI-032P432**
Indoor Unit Cat Number: **Y7310**



- Golden Fin
- Low Ambient Cooling
- Low Voltage Startup
- 3 Meter Copper Pipe Included



- Auto Restart
- Four Selectable Fan Speeds
- Hidden LED Display
- Wireless Remote Included
- I Feel Function

PIPING

Line Set and Elevation Guidelines	
Maximum Line Set Length ft. (m)	82 ft. (25 m)
Maximum Elevation - Outdoor Unit Below/Above Indoor Unit ft. (m)	32.8 ft. (10 m)
Liquid Line Set Diameter (in.)	1/4"
Gas Line Set Diameter (in.)	5/8"

PRODUCT WARRANTY

5 Year Limited Warranty*

OPTIONAL ACCESORIES

Programmable Wired Control(19F47, XK76)
Non Programmable Wired Control(19F49, XE71-44/G)



NOTE – Due to Lennox' ongoing commitment to quality, Specifications, Ratings, and Dimensions are subject to change without notice and without incurring liability. Improper installation, adjustment, alteration, service or maintenance can cause property damage or personal injury. Installation and service must be performed by a qualified installer and servicing agency



**SUBMITTAL DATA – WALL-MOUNTED
LI024CO-032P432- LI024CI-032P432
SINGLE ZONE INVERTER MINI-SPLIT COOLING ONLY**

OUTDOOR SPECIFICATIONS

PERFORMANCE	
Cooling Capacity (Btu/h)	22,000
EER(W/W)	3.21
SEER(BTUH/W)	/
Heating Capacity (Btu/h)	/
HSPF	/

Outdoor Fan Total Air Volume (CFM)	1,882
Ambient Temperature Operating Range	
Cooling	0°F(-18°C) - 115°F(46°C)
Heating	/

ELECTRICAL DATA	
Power Supply (V/Hz/ϕ)	208-230/60/1
Minimum Circuit Ampacity (A)	/
Maximum Overcurrent Protection (A)	/
Outdoor Fan Motor RLA (A)	.4
Compressor RLA (A)	7.2
No. of Compressors	1

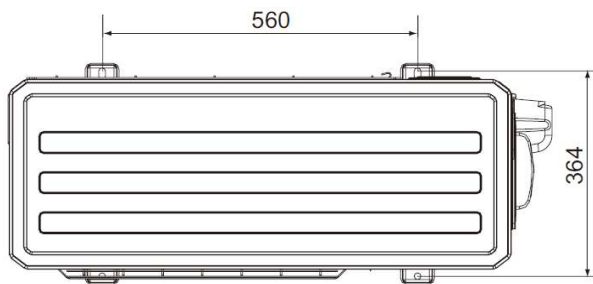
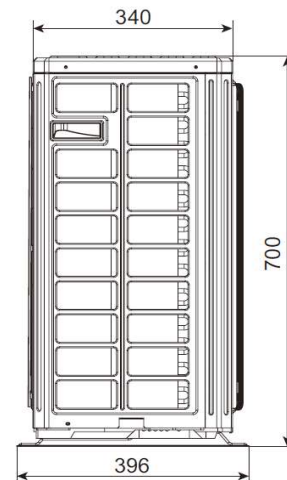
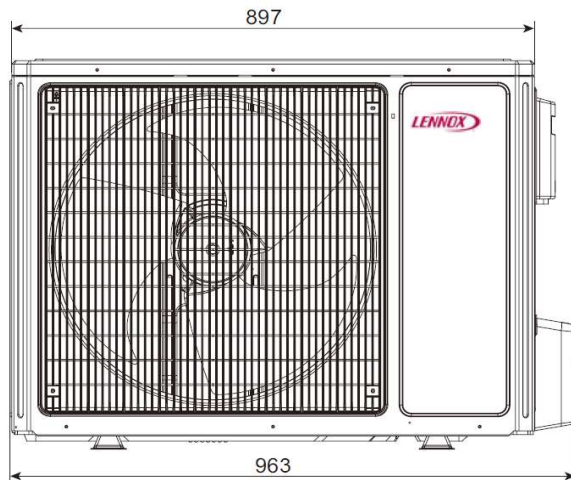
GENERAL DATA	
Connection Ratio (%)	100%
Max. # of Indoor Units	1
Sound Data (dBA) - Cooling/Heating	59
Refrigerant type	R-410A
Factory refrigerant charge	3.53lbs. 56.4oz.

DIMENSIONS		
Unit Dimensions (in)	Height	27.6
	Width	37.9
	Depth	15.6
Shipping Weight (lb)		111.4
Net Weight (lb)		101.4

NOTES

1. Cooling and Heating Capacity data is rated at the following conditions:
Cooling: 80°FDB / 67°FWB Indoor, 95°FDB/75°FWB Outdoor

OUTDOOR DIMENSIONAL DRAWINGS - INCHES (MM)



ODU	Inch	mm
W	37.9	963
H	27.6	700
D	15.6	396
W1	35.3	897
W2	13.4	340
W3	22	560
W4	14.3	364

NOTE – Due to Lennox' ongoing commitment to quality, Specifications, Ratings, and Dimensions are subject to change without notice and without incurring liability. Improper installation, adjustment, alteration, service or maintenance can cause property damage or personal injury. Installation and service must be performed by a qualified installer and servicing agency



**SUBMITTAL DATA – WALL-MOUNTED
LI024CO-032P432- LI024CI-032P432
SINGLE ZONE INVERTER MINI-SPLIT COOLING ONLY**

INDOOR SPECIFICATIONS

PERFORMANCE

Airflow (CFM)	Turbo	706
	High	647
	Medium	589
	Low	530
External Static Pressure (in. w.g.)		-
Sound Pressure (dBA)	Turbo	46
	High	44
	Medium	40
	Low	36

ELECTRICAL DATA

Power Supply (V/Hz/φ)	Supplied by ODU
Rated load amps (RLA)	.32
Power Output (W)	30

DIMENSIONS

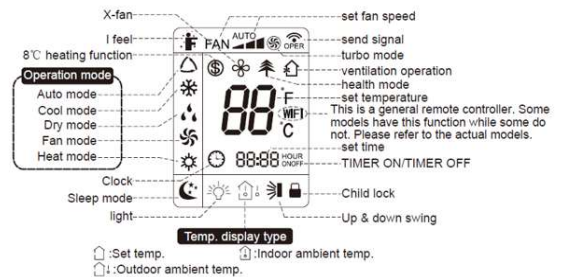
Unit Dimensions (in)	Height	12.8
	Width	42.4
	Depth	9.7
Unit Net/Shipping Weight (lb)		36.4/44.1

WIRELESS REMOTE CONTROLLER SPECIFICATIONS

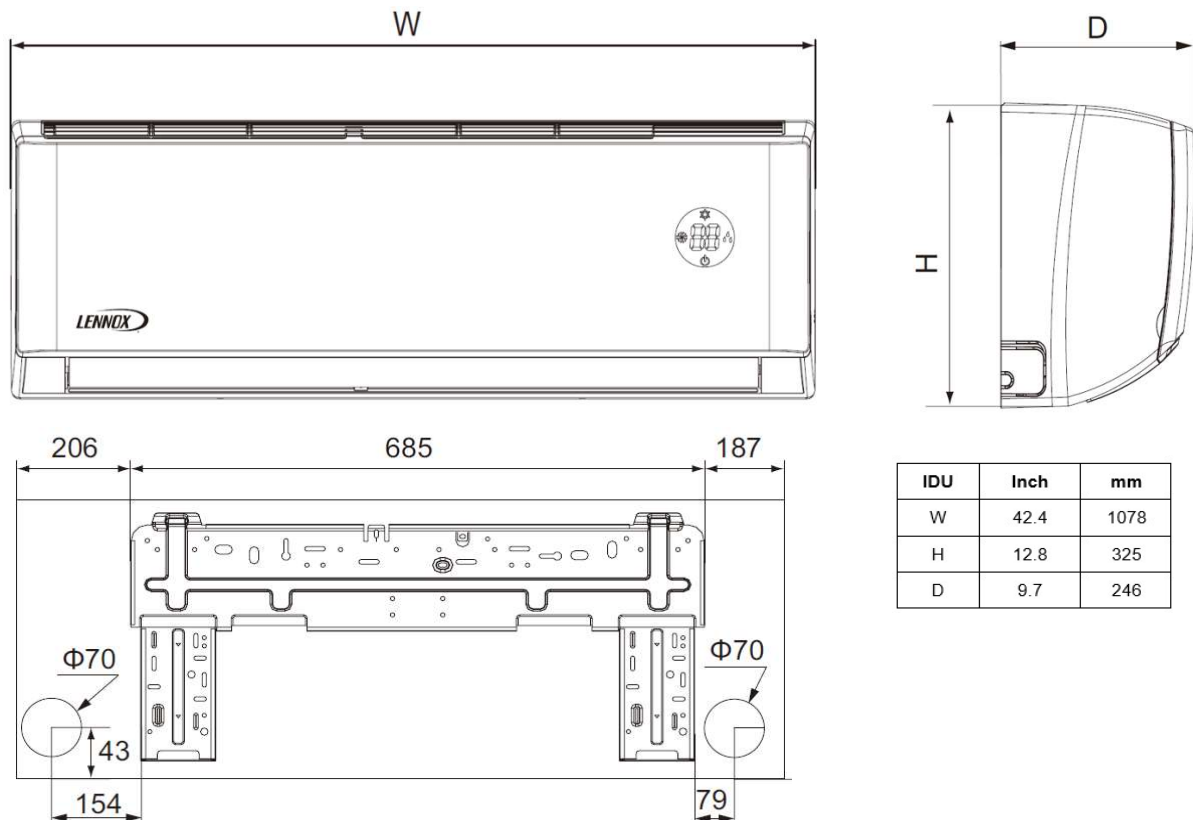
Y6334

Power Supply	2 AAA Batteries (Included)
Setpoint Range	61°F(16°C) - 86°F(30°C)
Effective Receiving Range	26 ft.(8m)

DISPLAY



INDOOR DIMENSIONAL DRAWINGS - INCHES (MM)



NOTE – Due to Lennox' ongoing commitment to quality, Specifications, Ratings, and Dimensions are subject to change without notice and without incurring liability. Improper installation, adjustment, alteration, service or maintenance can cause property damage or personal injury. Installation and service must be performed by a qualified installer and servicing agency