



**SUBMITTAL DATA – WALL-MOUNTED  
LI009CO-230P432 - LI009CI-230P432  
SINGLE ZONE INVERTER MINI-SPLIT COOLING ONLY**

Job: \_\_\_\_\_  
Location: \_\_\_\_\_  
Schedule No.: \_\_\_\_\_  
System Designation: \_\_\_\_\_

Engineer: \_\_\_\_\_  
Architect: \_\_\_\_\_  
Date: \_\_\_\_\_

**FEATURES**

Outdoor Unit: **LI009CO-230P432**  
Outdoor Unit Cat Number: **Y6508**

Indoor Unit: **LI009CI-230P432**  
Indoor Unit Cat Number: **Y6507**



- Golden Fin
- Low Ambient Cooling
- Low Voltage Startup
- 3 Meter Copper Pipe Included

- Auto Restart
- Four Selectable Fan Speeds
- Hidden LED Display
- Wireless Remote Included
- I Feel Function
- Carbon Filter

**PIPING**

Line Set and Elevation Guidelines	
Maximum Line Set Length ft. (m)	49.2 ft. (15 m)
Maximum Elevation - Outdoor Unit Below/Above Indoor Unit ft. (m)	32.8 ft. (10 m)
Liquid Line Set Diameter (in.)	1/4"
Gas Line Set Diameter (in.)	3/8"

**PRODUCT WARRANTY**

5 Year Limited Warranty\*

**OPTIONAL ACCESORIES**

Programmable Wired Control(19F47,XK76)  
Non Programmable Wired Control(19F49,XE71-44/G)



**NOTE** – Due to Lennox' ongoing commitment to quality, Specifications, Ratings, and Dimensions are subject to change without notice and without incurring liability. Improper installation, adjustment, alteration, service or maintenance can cause property damage or personal injury. Installation and service must be performed by a qualified installer and servicing agency



**SUBMITTAL DATA – WALL-MOUNTED**  
**LI009CO-230P432 - LI009CI-230P432**  
**SINGLE ZONE INVERTER MINI-SPLIT COOLING ONLY**

**OUTDOOR SPECIFICATIONS**

**PERFORMANCE**

Cooling Capacity (Btu/h)	9,000
EER(W/W)	4.19
SEER(BTUH/W)	23
Heating Capacity (Btu/h)	/
COP	/

Outdoor Fan Total Air Volume (CFM)	1,059
Ambient Temperature Operating Range	
Cooling	0°F(-18°C) - 115°F(46°C)
Heating	/

**ELECTRICAL DATA**

Power Supply (V/Hz/ϕ)	208-230/60/1
Minimum Circuit Ampacity (A)	9
Maximum Overcurrent Protection (A)	15
Outdoor Fan Motor RLA (A)	.385
Compressor RLA (A)	4
No. of Compressors	1

**GENERAL DATA**

Connection Ratio (%)	100%
Max. # of Indoor Units	1
Sound Data (dBA) - Cooling/Heating	53
Refrigerant type	R-410A
Factory refrigerant charge	2.87 lbs. 45.9 oz.

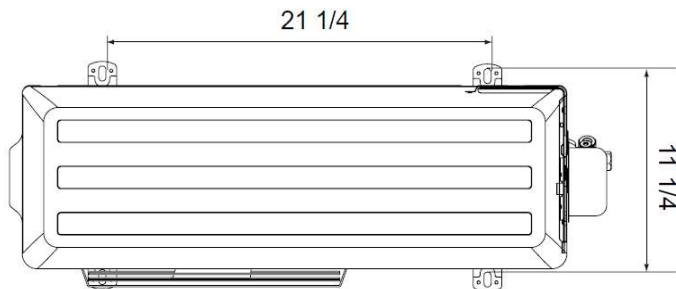
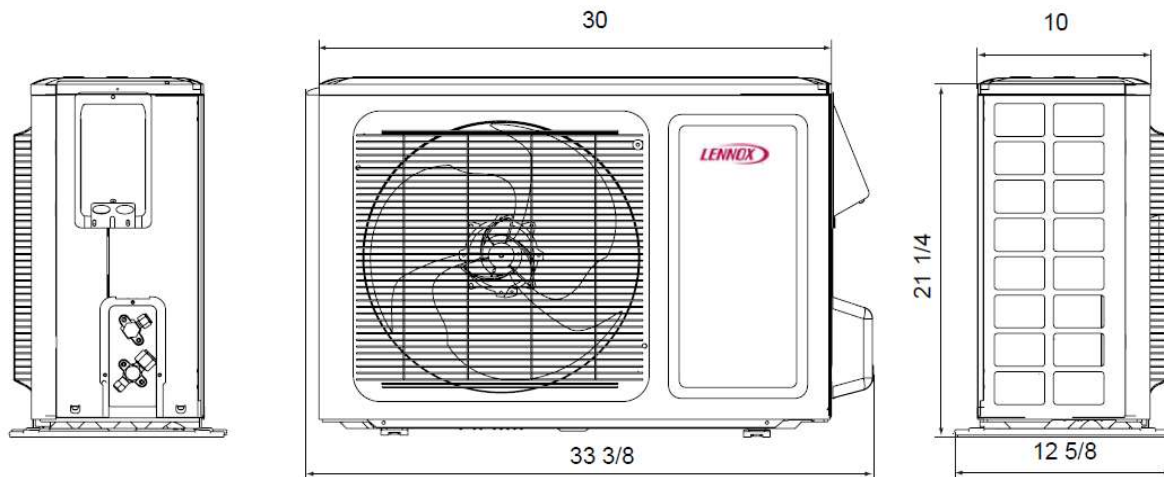
**DIMENSIONS**

Unit Dimensions (in)	Height	21-1/4
	Width	33 3/8
	Depth	12-5/8
Shipping Weight (lb)		78.3
Net Weight (lb)		72.8

**NOTES**

1. Cooling and Heating Capacity data is rated at the following conditions:  
Cooling: 80°FDB / 67°F WB Indoor, 95°FDB/75°F WB Outdoor  
Heating: 70°FDB / 60°F WB Indoor, 19.94°FDB/ 19.04°F WB Outdoor

**OUTDOOR DIMENSIONAL DRAWINGS - INCHES (MM)**



ODU	Inch	mm
W	33 3/8	848
H	21 1/4	540
D	12 5/8	320
W1	30	762
W2	10	254
W3	21 1/4	540
W4	11 1/4	286

**NOTE** – Due to Lennox’ ongoing commitment to quality, Specifications, Ratings, and Dimensions are subject to change without notice and without incurring liability. Improper installation, adjustment, alteration, service or maintenance can cause property damage or personal injury. Installation and service must be performed by a qualified installer and servicing agency



**SUBMITTAL DATA – WALL-MOUNTED  
LI009CO-230P432 - LI009CI-230P432  
SINGLE ZONE INVERTER MINI-SPLIT COOLING ONLY**

**INDOOR SPECIFICATIONS**

**PERFORMANCE**

Airflow (CFM)	Turbo	377
	High	288
	Medium	241
	Low	171
External Static Pressure (in. w.g.)		-
Sound Pressure (dBA)	Turbo	43
	High	39
	Medium	35
	Low	29

**ELECTRICAL DATA**

Power Supply (V/Hz/Φ)	Supplied by ODU
Rated load amps (RLA)	.09
Power Output (W)	20

**DIMENSIONS**

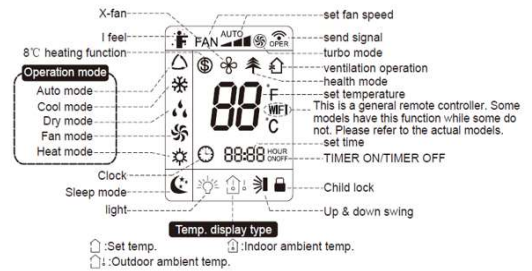
Unit Dimensions (in)	Height	11-3/8
	Width	33-1/4
	Depth	8-7/32
Unit Net/Shipping Weight (lb)		22/26.5

**WIRELESS REMOTE CONTROLLER SPECIFICATIONS**

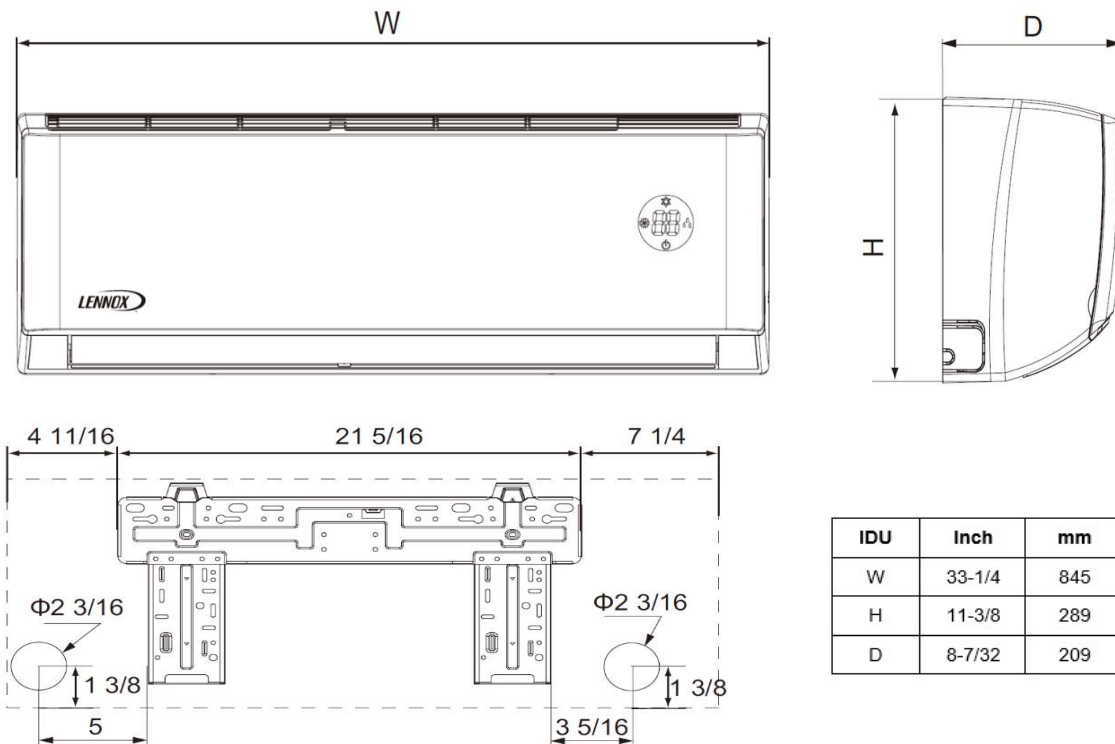
**Y6334**

Power Supply	2 AAA Batteries (Included)
Setpoint Range	61°F(16°C) - 86°F(30°C)
Effective Receiving Range	26 ft.(8m)

**DISPLAY**



**INDOOR DIMENSIONAL DRAWINGS - INCHES (MM)**



**NOTE** – Due to Lennox' ongoing commitment to quality, Specifications, Ratings, and Dimensions are subject to change without notice and without incurring liability. Improper installation, adjustment, alteration, service or maintenance can cause property damage or personal injury. Installation and service must be performed by a qualified installer and servicing agency