



**SUBMITTAL DATA – WALL-MOUNTED
LI012HO-230P432 - LI012HI-230P432
SINGLE ZONE INVERTER MINI-SPLIT HEAT PUMP**

Job: _____
 Location: _____
 Schedule No.: _____
 System Designation: _____

Engineer: _____
 Architect: _____
 Date: _____

FEATURES

Outdoor Unit: **LI012HO-230P432**
 Outdoor Unit Cat Number: **Y6755**

Indoor Unit: **LI012HI-230P432**
 Indoor Unit Cat Number: **Y6754**



- Golden Fin
- Low Ambient Cooling
- Low Ambient Heating
- Low Voltage Startup
- 3 Meter Copper Pipe Included

- Auto Restart
- Four Selectable Fan Speeds
- Hidden LED Display
- Wireless Remote Included
- I Feel Function
- Carbon Filter

PIPING

Line Set and Elevation Guidelines

Maximum Line Set Length ft. (m)	65.6 ft. (20 m)
Maximum Elevation - Outdoor Unit Below/Above Indoor Unit ft. (m)	32.8 ft. (10 m)
Liquid Line Set Diameter (in.)	1/4"
Gas Line Set Diameter (in.)	1/2"

PRODUCT WARRANTY

5 Year Limited Warranty*

OPTIONAL ACCESORIES

Programmable Wired Control(19F47, XK76)
 Non Programmable Wired Control(19F49, XE71-44/G)



NOTE – Due to Lennox' ongoing commitment to quality, Specifications, Ratings, and Dimensions are subject to change without notice and without incurring liability. Improper installation, adjustment, alteration, service or maintenance can cause property damage or personal injury. Installation and service must be performed by a qualified installer and servicing agency



**SUBMITTAL DATA – WALL-MOUNTED
LI012HO-230P432 - LI012HI-230P432
SINGLE ZONE INVERTER MINI-SPLIT HEAT PUMP**

OUTDOOR SPECIFICATIONS

PERFORMANCE

Cooling Capacity (Btu/h)	12,000
EER(W/W)	3.66
SEER(BTUH/W)	22
Heating Capacity (Btu/h)	13,000
HSPF	11

Outdoor Fan Total Air Volume (CFM)	1,176
Ambient Temperature Operating Range	
Cooling	0°F(-18°C) - 115°F(46°C)
Heating	-4°F(-20°C) - 75°F(24°C)

ELECTRICAL DATA

Power Supply (V/Hz/φ)	208-230/60/1
Minimum Circuit Ampacity (A)	9
Maximum Overcurrent Protection (A)	15
Outdoor Fan Motor RLA (A)	.385
Compressor RLA (A)	4
No. of Compressors	1

GENERAL DATA

Connection Ratio (%)	100%
Max. # of Indoor Units	1
Sound Data (dBA) - Cooling/Heating	54
Refrigerant type	R-410A
Factory refrigerant charge	2.98 lbs. 47.6 oz.

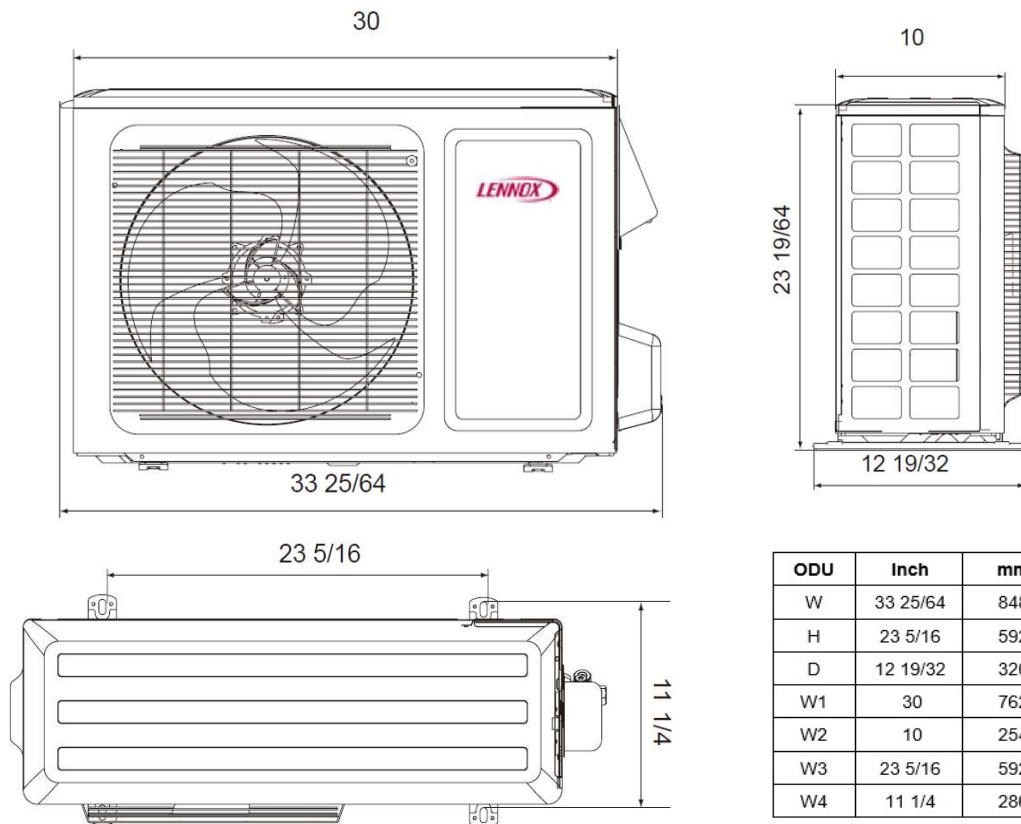
DIMENSIONS

Unit Dimensions (in)	Height	23-5/16
	Width	33-25/64
	Depth	12-19/32
Shipping Weight (lb)		92.6
Net Weight (lb)		86

NOTES

1. Cooling and Heating Capacity data is rated at the following conditions:
Cooling: 80°FDB / 67°FWB Indoor, 95°FDB/75°FWB Outdoor
Heating: 70°FDB / 60°FWB Indoor, 19.94°FDB/ 19.04°FWB Outdoor

OUTDOOR DIMENSIONAL DRAWINGS - INCHES (MM)



NOTE – Due to Lennox' ongoing commitment to quality, Specifications, Ratings, and Dimensions are subject to change without notice and without incurring liability. Improper installation, adjustment, alteration, service or maintenance can cause property damage or personal injury. Installation and service must be performed by a qualified installer and servicing agency



**SUBMITTAL DATA – WALL-MOUNTED
LI012HO-230P432 - LI012HI-230P432
SINGLE ZONE INVERTER MINI-SPLIT HEAT PUMP**

INDOOR SPECIFICATIONS

PERFORMANCE		
Airflow (CFM)	Turbo	400
	High	288
	Medium	241
	Low	171
External Static Pressure (in. w.g.)		-
Sound Pressure (dBA)	Turbo	45
	High	39
	Medium	35
	Low	29

ELECTRICAL DATA

Power Supply (V/Hz/ϕ)	Supplied by ODU
Rated load amps (RLA)	.09
Power Output (W)	20

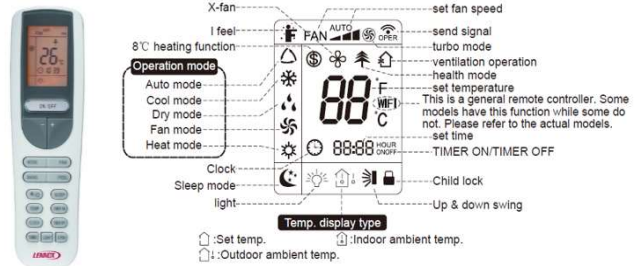
DIMENSIONS

Unit Dimensions (in)	Height	11-3/8
	Width	33-1/4
	Depth	8-7/32
Unit Net/Shipping Weight (lb)		22/26.5

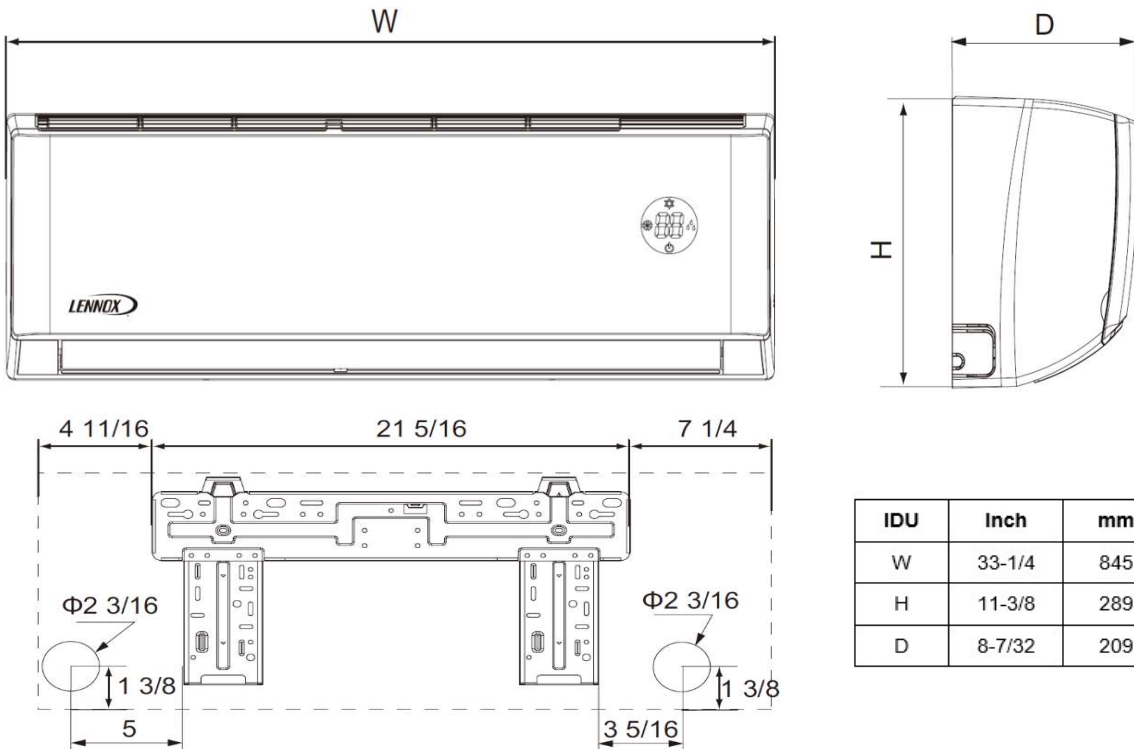
WIRELESS REMOTE CONTROLLER SPECIFICATIONS

Y6334	
Power Supply	2 AAA Batteries (Included)
Setpoint Range	61°F(16°C) - 86°F(30°C)
Effective Receiving Range	26 ft.(8m)

DISPLAY



INDOOR DIMENSIONAL DRAWINGS - INCHES (MM)



NOTE – Due to Lennox’ ongoing commitment to quality, Specifications, Ratings, and Dimensions are subject to change without notice and without incurring liability. Improper installation, adjustment, alteration, service or maintenance can cause property damage or personal injury. Installation and service must be performed by a qualified installer and servicing agency