



**SUBMITTAL DATA – WALL-MOUNTED
LM024CO-115P432-1X - LM024CI-115P432-1X
SINGLE ZONE MINI-SPLIT COOLING ONLY**

Job: _____
 Location: _____
 Schedule No.: _____
 System Designation: _____

Engineer: _____
 Architect: _____
 Date: _____

FEATURES

Outdoor Unit: **LM024CO-115P432-1X**
 Outdoor Unit Cat Number: **19U61**

Indoor Unit: **LM024CI-115P432-1X**
 Indoor Unit Cat Number: **19U60**



- 3 Meter Copper Pipe Included

- Auto Restart
- Four Selectable Fan Speeds
- Hidden LED Display
- Wireless Remote Included
- I Feel Function

PIPING

Line Set and Elevation Guidelines	
Maximum Line Set Length ft. (m)	82 ft. (25 m)
Maximum Elevation - Outdoor Unit Below/Above Indoor Unit ft. (m)	32.8 ft. (10 m)
Liquid Line Set Diameter (in.)	1/4"
Gas Line Set Diameter (in.)	5/8"

PRODUCT WARRANTY

5 Year Limited Warranty*

OPTIONAL ACCESORIES



—



NOTE – Due to Lennox' ongoing commitment to quality, Specifications, Ratings, and Dimensions are subject to change without notice and without incurring liability. Improper installation, adjustment, alteration, service or maintenance can cause property damage or personal injury. Installation and service must be performed by a qualified installer and servicing agency



**SUBMITTAL DATA – WALL-MOUNTED
LM024CO-115P432-1X - LM024CI-115P432-1X
SINGLE ZONE MINI-SPLIT COOLING ONLY**

OUTDOOR SPECIFICATIONS

PERFORMANCE

Cooling Capacity (Btu/h)	22,178
EER(W/W)	2.81
REEE(BTUH/W)	11.3
Heating Capacity (Btu/h)	/
COP	/

Outdoor Fan Total Air Volume (CFM)	1,647
------------------------------------	-------

Ambient Temperature Operating Range	
Cooling	64°F(18°C) - 118°F(48°C)
Heating	/

ELECTRICAL DATA

Power Supply (V/Hz/ϕ)	Supplied by IDU
Minimum Circuit Ampacity (A)	/
Maximum Overcurrent Protection (A)	/
Outdoor Fan Motor RLA (A)	.89
Compressor RLA (A)	9.8
No. of Compressors	1

GENERAL DATA

Connection Ratio (%)	100%
Max. # of Indoor Units	1
Sound Data (dBA) - Cooling/Heating	54
Refrigerant type	R-410A
Factory refrigerant charge	2.76 lbs. 44.1 oz.

DIMENSIONS

Unit Dimensions (in)	Height	26.8
	Width	36.7
	Depth	14.9

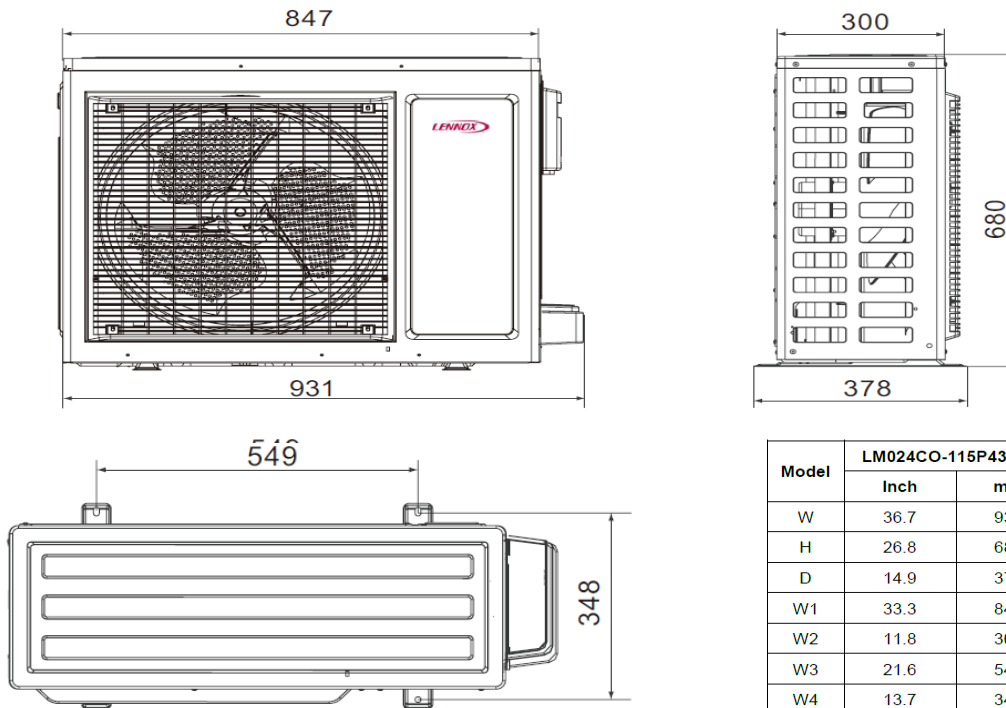
Shipping Weight (lb)	114.7
----------------------	-------

Net Weight (lb)	105.8
-----------------	-------

NOTES

1. Cooling and Heating Capacity data is rated at the following conditions:
Cooling: 80°FDB / 66°FWB Indoor, 95°FDB/75°FWB Outdoor
Heating: 68°FDB / 59°FWB Indoor, 44.6°FDB/ 42.8°FWB Outdoor

OUTDOOR DIMENSIONAL DRAWINGS - INCHES (MM)



Model	LM024CO-115P432-1X	
	Inch	mm
W	36.7	931
H	26.8	680
D	14.9	378
W1	33.3	847
W2	11.8	300
W3	21.6	549
W4	13.7	348

NOTE – Due to Lennox’ ongoing commitment to quality, Specifications, Ratings, and Dimensions are subject to change without notice and without incurring liability. Improper installation, adjustment, alteration, service or maintenance can cause property damage or personal injury. Installation and service must be performed by a qualified installer and servicing agency



**SUBMITTAL DATA – WALL-MOUNTED
LM024CO-115P432-1X - LM024CI-115P432-1X
SINGLE ZONE MINI-SPLIT COOLING ONLY**

INDOOR SPECIFICATIONS

PERFORMANCE

Airflow (CFM)	Turbo	706
	High	624
	Medium	547
	Low	471
External Static Pressure (in. w.g.)		-
Sound Pressure (dBA)	Turbo	50
	High	46
	Medium	42
	Low	38

ELECTRICAL DATA

Power Supply (V/Hz/ϕ)	220/60/1
Rated load amps (RLA)	.32
Power Output (W)	35

ELECTRICAL DATA

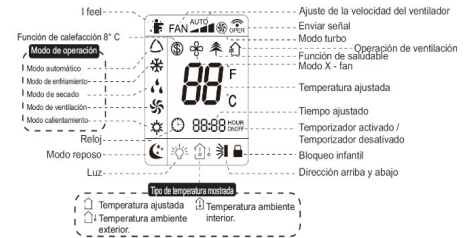
Unit Dimensions (in)	Height	12.8
	Width	42.4
	Depth	9.7
Unit Net/Shipping Weight (lb)		36.4/44.1

WIRELESS REMOTE CONTROLLER SPECIFICATIONS

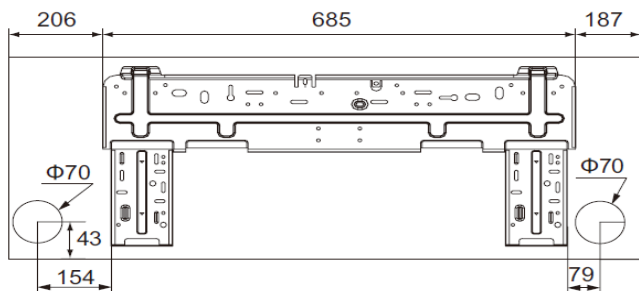
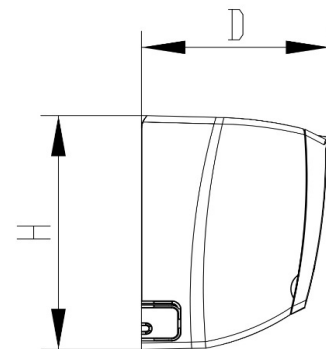
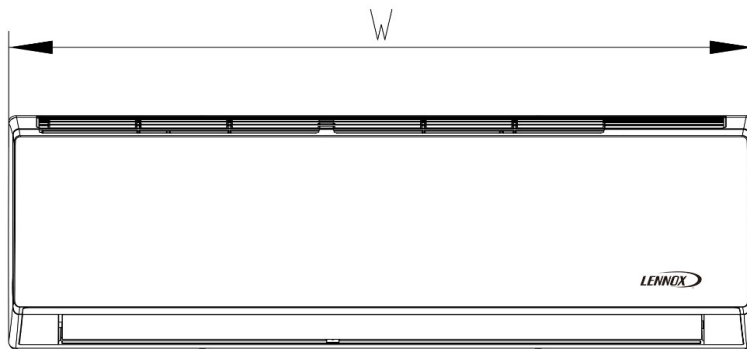
Y6185

Power Supply	2 AAA Batteries (Included)
Setpoint Range	61 °F(16°C) - 86 °F(30°C)
Effective Receiving Range	26 ft.(8m)

DISPLAY



INDOOR DIMENSIONAL DRAWINGS - INCHES (MM)



Model	LM024CI-115P432-1X	
	Inch	mm
W	42.4	1078
H	12.8	325
D	9.7	246

NOTE – Due to Lennox' ongoing commitment to quality, Specifications, Ratings, and Dimensions are subject to change without notice and without incurring liability. Improper installation, adjustment, alteration, service or maintenance can cause property damage or personal injury. Installation and service must be performed by a qualified installer and servicing agency