



**SUBMITTAL DATA – WALL-MOUNTED  
LM036CO-100P432 - LM036CI-100P432  
SINGLE ZONE MINI-SPLIT COOLING ONLY**

Job: \_\_\_\_\_  
 Location: \_\_\_\_\_  
 Schedule No.: \_\_\_\_\_  
 System Designation: \_\_\_\_\_

Engineer: \_\_\_\_\_  
 Architect: \_\_\_\_\_  
 Date: \_\_\_\_\_

**FEATURES**

Outdoor Unit: **LM036CO-100P432**  
 Outdoor Unit Cat Number: **Y6897**

Indoor Unit: **LM036CI-100P432**  
 Indoor Unit Cat Number: **Y6896**



- 3 Meter Copper Pipe Included

- Auto Restart
- Four Selectable Fan Speeds
- Hidden LED Display
- Wireless Remote Included
- I Feel Function

**PIPING**

Line Set and Elevation Guidelines

Maximum Line Set Length ft. (m)	98.4 ft. (30 m)
Maximum Elevation - Outdoor Unit Below/Above Indoor Unit ft. (m)	65.6 ft. (20 m)
Liquid Line Set Diameter (in.)	1/4"
Gas Line Set Diameter (in.)	3/4"

**PRODUCT WARRANTY**

5 Year Limited Warranty\*

**OPTIONAL ACCESORIES**



**NOTE** – Due to Lennox' ongoing commitment to quality, Specifications, Ratings, and Dimensions are subject to change without notice and without incurring liability. Improper installation, adjustment, alteration, service or maintenance can cause property damage or personal injury. Installation and service must be performed by a qualified installer and servicing agency



**SUBMITTAL DATA – WALL-MOUNTED  
LM036CO-100P432 - LM036CI-100P432  
SINGLE ZONE MINI-SPLIT COOLING ONLY**

**OUTDOOR SPECIFICATIONS**

**PERFORMANCE**

Cooling Capacity (Btu/h)	33,000
EER(W/W)	2.75
REEE(BTUH/W)	11.3
Heating Capacity (Btu/h)	/
COP	/

Outdoor Fan Total Air Volume (CFM)	2,353
------------------------------------	-------

Ambient Temperature Operating Range	
Cooling	64°F(18°C) - 109°F(43°C)
Heating	/

**ELECTRICAL DATA**

Power Supply (V/Hz/ϕ)	230/60/1
Minimum Circuit Ampacity (A)	/
Maximum Overcurrent Protection (A)	/
Outdoor Fan Motor RLA (A)	.8
Compressor RLA (A)	14.7
No. of Compressors	1

**GENERAL DATA**

Connection Ratio (%)	100%
Max. # of Indoor Units	1
Sound Data (dBA) - Cooling/Heating	58
Refrigerant type	R-410A
Factory refrigerant charge	5.29 lbs. 84.7 oz.

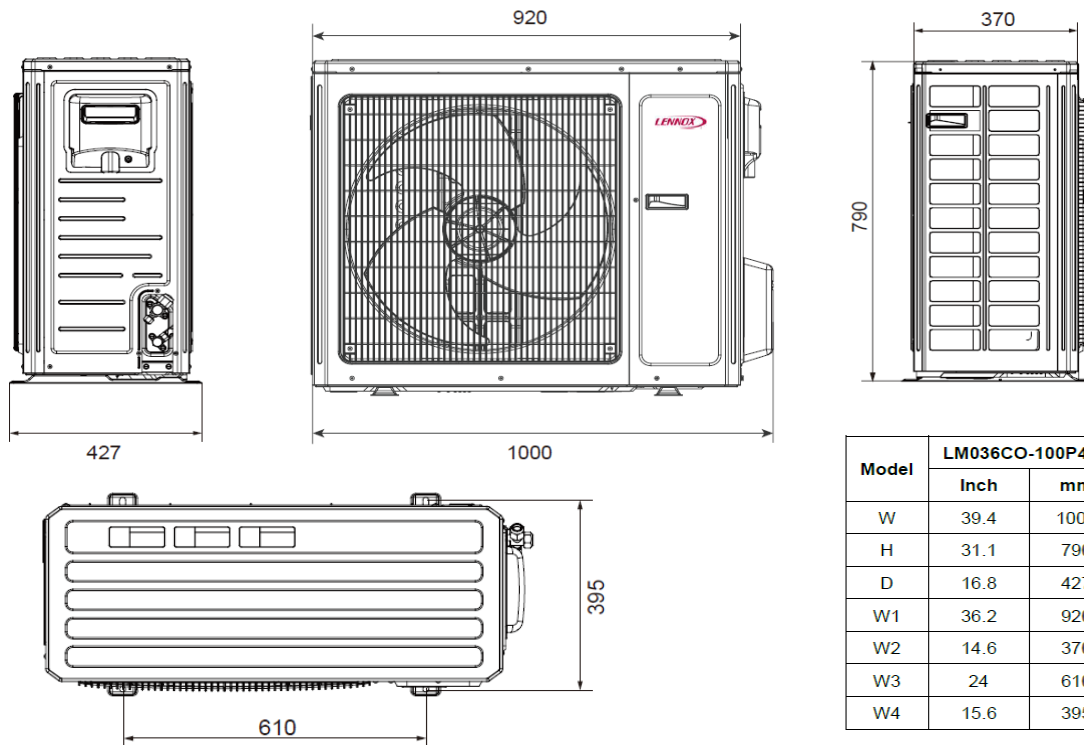
**DIMENSIONS**

Unit Dimensions (in)	Height	31.1
	Width	39.4
	Depth	16.8
Shipping Weight (lb)	161	
Net Weight (lb)	149.9	

**NOTES**

1. Cooling and Heating Capacity data is rated at the following conditions:  
Cooling: 80°FDB / 66°FWB Indoor, 95°FDB/75°FWB Outdoor  
Heating: 68°FDB / 59°FWB Indoor, 44.6°FDB/ 42.8°FWB Outdoor

**OUTDOOR DIMENSIONAL DRAWINGS - INCHES (MM)**



Model	LM036CO-100P432	
	Inch	mm
W	39.4	1000
H	31.1	790
D	16.8	427
W1	36.2	920
W2	14.6	370
W3	24	610
W4	15.6	395

**NOTE** – Due to Lennox' ongoing commitment to quality, Specifications, Ratings, and Dimensions are subject to change without notice and without incurring liability. Improper installation, adjustment, alteration, service or maintenance can cause property damage or personal injury. Installation and service must be performed by a qualified installer and servicing agency



**SUBMITTAL DATA – WALL-MOUNTED  
LM036CO-100P432 - LM036CI-100P432  
SINGLE ZONE MINI-SPLIT COOLING ONLY**

**INDOOR SPECIFICATIONS**

**PERFORMANCE**

Airflow (CFM)	Turbo	853
	High	794
	Medium	677
	Low	588
External Static Pressure (in. w.g.)		-
Sound Pressure (dBA)	Turbo	56
	High	54
	Medium	50
	Low	47

**ELECTRICAL DATA**

Power Supply (V/Hz/φ)	Supplied by ODU	
Rated load amps (RLA)	.46	
Power Output (W)	60	

**ELECTRICAL DATA**

Unit Dimensions (in)	Height	12.8
	Width	53.1
	Depth	10
Unit Net/Shipping Weight (lb)		44/54

**WIRELESS REMOTE CONTROLLER SPECIFICATIONS**

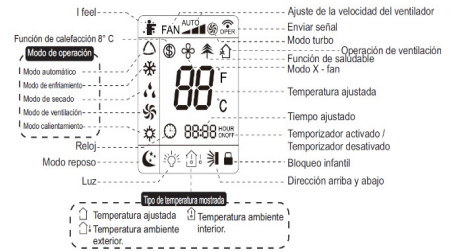
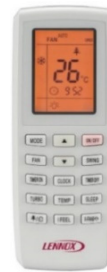
**Y6185**

Power Supply	2 AAA Batteries (Included)
--------------	-------------------------------

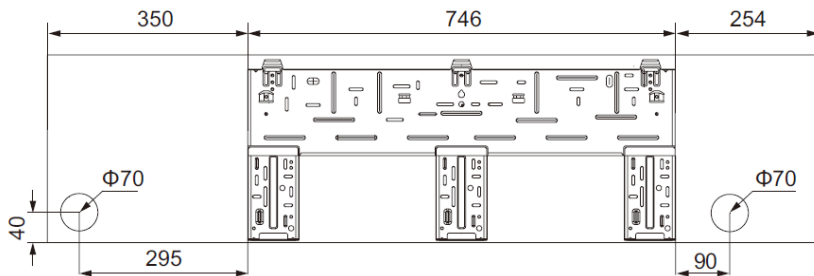
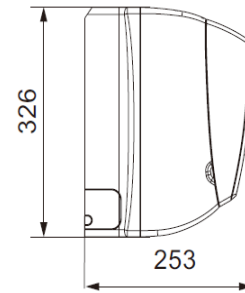
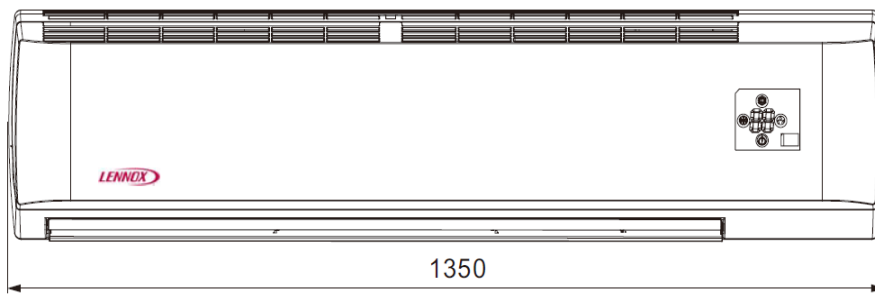
Setpoint Range	61 °F(16°C) - 86 °F(30°C)
----------------	---------------------------

Effective Receiving Range	26 ft.(8m)
---------------------------	------------

**DISPLAY**



**INDOOR DIMENSIONAL DRAWINGS - INCHES (MM)**



Model	LM036CI-100P432	
	Inch	mm
W	53.1	1350
H	12.8	326
D	10	253

**NOTE** – Due to Lennox’ ongoing commitment to quality, Specifications, Ratings, and Dimensions are subject to change without notice and without incurring liability. Improper installation, adjustment, alteration, service or maintenance can cause property damage or personal injury. Installation and service must be performed by a qualified installer and servicing agency