



**SUBMITTAL DATA – WALL-MOUNTED  
LM012HO-130P433-E - LM012HI-130P433-E  
SINGLE ZONE MINI-SPLIT HEAT PUMP**

Job: \_\_\_\_\_  
Location: \_\_\_\_\_  
Schedule No.: \_\_\_\_\_  
System Designation: \_\_\_\_\_

Engineer: \_\_\_\_\_  
Architect: \_\_\_\_\_  
Date: \_\_\_\_\_

**FEATURES**

**Outdoor Unit: LM012HO-130P433-E**  
**Outdoor Unit Cat Number: 22F67**

**Indoor Unit: LM012HI-130P433-E**  
**Indoor Unit Cat Number: 22F65**



- 3 Meter Copper Pipe Included
- Gold Fin

- Auto Restart
- Wireless Remote
- Emergency Control
- Louver position memory
- Hidden LED Display
- I Feel

**PIPING**

Line Set and Elevation Guidelines

Maximum Line Set Length ft. (m)	52.5 ft. (16 m)
Maximum Elevation - Outdoor Unit Below/Above Indoor Unit ft. (m)	16.4 ft. (5 m)
Liquid Line Set Diameter (in.)	1/4"
Gas Line Set Diameter (in.)	3/8"

**PRODUCT WARRANTY**

5 Year Limited Warranty\*  
\_\_\_\_\_  
\_\_\_\_\_

**OPTIONAL ACCESORIES**

\_\_\_\_\_  
\_\_\_\_\_



**NOTE** – Due to Lennox' ongoing commitment to quality, Specifications, Ratings, and Dimensions are subject to change without notice and without incurring liability. Improper installation, adjustment, alteration, service or maintenance can cause property damage or personal injury. Installation and service must be performed by a qualified installer and servicing agency



**SUBMITTAL DATA – WALL-MOUNTED  
LM012HO-130P433-E - LM012HI-130P433-E  
SINGLE ZONE MINI-SPLIT HEAT PUMP**

**OUTDOOR SPECIFICATIONS**

**PERFORMANCE**

Cooling Capacity (Btu/h)	11,089
EER(W/W)	2.81
SEER(BTUH/W)	12.7
Heating Capacity (Btu/h)	11,509
COP	3.06

Outdoor Fan Total Air Volume (CFM)	1059
------------------------------------	------

Ambient Temperature Operating Range	
Cooling	64 °F(18°C) - 109 °F(43°C)
Heating	19.4 °F(-7°C) - 75 °F(24°C)

**ELECTRICAL DATA**

Power Supply (V/Hz/ϕ)	208-230/60/1
Minimum Circuit Ampacity (A)	/
Maximum Overcurrent Protection (A)	/
Outdoor Fan Motor RLA (A)	0.39
Compressor RLA (A)	5.1
No. of Compressors	1

**GENERAL DATA**

Connection Ratio (%)	100%
Max. # of Indoor Units	1
Sound Data (dBA) - Cooling/Heating	51
Refrigerant type	R-410A
Factory refrigerant charge	1.3 lbs. 21.1 oz.

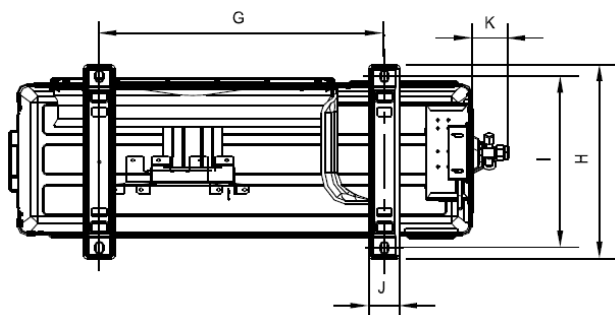
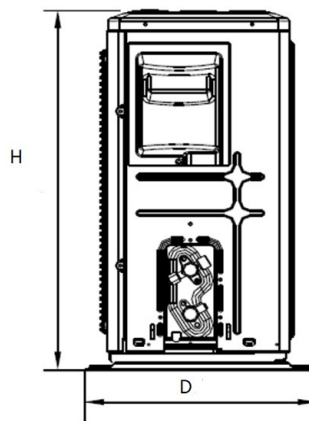
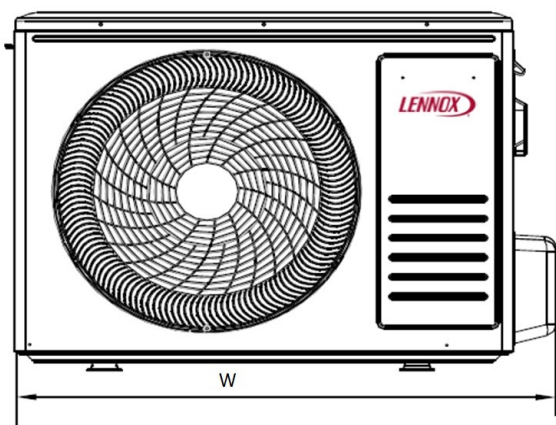
**DIMENSIONS**

Unit Dimensions (in)	Height	20
	Width	31
	Depth	11
Shipping Weight (lb)		64
Net Weight (lb)		57

**NOTES**

1. Cooling and Heating Capacity data is rated at the following conditions:  
Cooling: 80 °FDB / 67 °FWB Indoor, 95 °FDB/75 °FWB Outdoor  
Heating: 68 °FDB / 59 °FWB Indoor, 44.6 °FDB/ 42.8 °FWB Outdoor

**OUTDOOR DIMENSIONAL DRAWINGS - INCHES (MM)**



Model	LM012HO-130P433-E	
	Inch	mm
W	30.59	777
D	11.42	290
H	19.61	498

**NOTE** – Due to Lennox' ongoing commitment to quality, Specifications, Ratings, and Dimensions are subject to change without notice and without incurring liability. Improper installation, adjustment, alteration, service or maintenance can cause property damage or personal injury. Installation and service must be performed by a qualified installer and servicing agency



**SUBMITTAL DATA – WALL-MOUNTED  
LM012HO-130P433-E - LM012HI-130P433-E  
SINGLE ZONE MINI-SPLIT HEAT PUMP**

**INDOOR SPECIFICATIONS**

PERFORMANCE		
Airflow (CFM)	Turbo	/
	High	265
	Medium	247
	Low	230
External Static Pressure (in. w.g.)		-
Sound Pressure (dBA)	Turbo	/
	High	40
	Medium	37
	Low	34

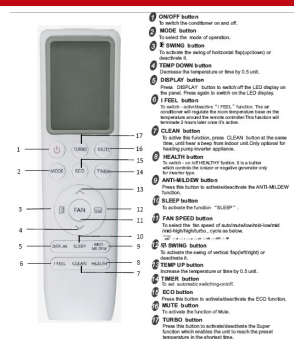
ELECTRICAL DATA	
Power Supply (V/Hz/ϕ)	208-230/60/1
Rated load amps (RLA)	0.21
Power Output (W)	13

DIMENSIONS		
Unit Dimensions (in)	Height	8
	Width	31
	Depth	10
Unit Net/Shipping Weight (lb)		18/24

**WIRELESS REMOTE CONTROLLER SPECIFICATIONS**

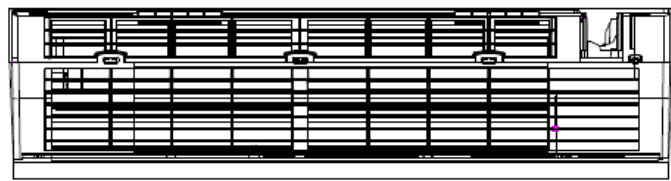
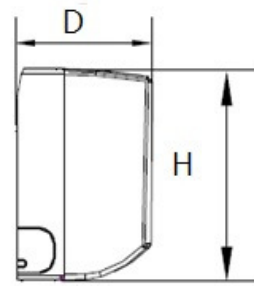
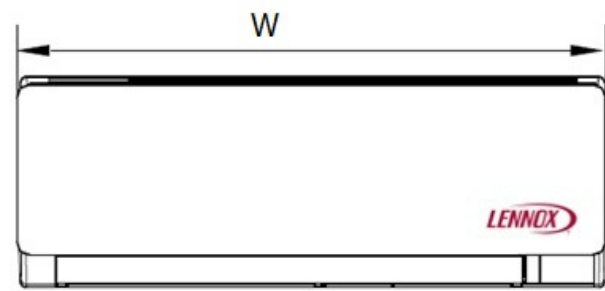
To be determined	
Power Supply	2 AAA Batteries (Included)
Setpoint Range	61 °F(16°C) - 88 °F(31°C)
Effective Receiving Range	20 ft.(6m)

**DISPLAY**



- 1 ON/OFF button To switch the controller on and off.
- 2 MODE button To select the mode of operation.
- 3 FAN SPEED button To adjust the speed of fan motor (High/Low) or fan speed.
- 4 TEMP DOWN button To decrease the temperature set point by 0.5 unit.
- 5 DISPLAY button Press the DISPLAY button to switch off the LED display on the remote controller. Press the DISPLAY button to switch on the LED display on the remote controller.
- 6 FUEL button To activate the remote controller's "FUEL" function. This will activate the remote controller's "FUEL" function. This function will activate the remote controller's "FUEL" function.
- 7 CLEAN button To activate the remote controller's "CLEAN" function. This will activate the remote controller's "CLEAN" function. This function will activate the remote controller's "CLEAN" function.
- 8 HEALTHY button To activate the remote controller's "HEALTHY" function. This will activate the remote controller's "HEALTHY" function. This function will activate the remote controller's "HEALTHY" function.
- 9 ANTI-MOLD button To activate the remote controller's "ANTI-MOLD" function. This will activate the remote controller's "ANTI-MOLD" function. This function will activate the remote controller's "ANTI-MOLD" function.
- 10 SLEEP button To activate the remote controller's "SLEEP" function. This will activate the remote controller's "SLEEP" function. This function will activate the remote controller's "SLEEP" function.
- 11 FAN SPEED button To adjust the fan speed of the remote controller's fan motor (High/Low) or fan speed.
- 12 SW SWING button To activate the remote controller's "SW SWING" function. This will activate the remote controller's "SW SWING" function. This function will activate the remote controller's "SW SWING" function.
- 13 TEMP UP button To increase the temperature set point by 0.5 unit.
- 14 FRESH button To activate the remote controller's "FRESH" function. This will activate the remote controller's "FRESH" function. This function will activate the remote controller's "FRESH" function.
- 15 ECO button To activate the remote controller's "ECO" function. This will activate the remote controller's "ECO" function. This function will activate the remote controller's "ECO" function.
- 16 MUTE button To activate the remote controller's "MUTE" function. This will activate the remote controller's "MUTE" function. This function will activate the remote controller's "MUTE" function.
- 17 FUEL button To activate the remote controller's "FUEL" function. This will activate the remote controller's "FUEL" function. This function will activate the remote controller's "FUEL" function.
- 18 CLEAN button To activate the remote controller's "CLEAN" function. This will activate the remote controller's "CLEAN" function. This function will activate the remote controller's "CLEAN" function.
- 19 HEALTHY button To activate the remote controller's "HEALTHY" function. This will activate the remote controller's "HEALTHY" function. This function will activate the remote controller's "HEALTHY" function.
- 20 ANTI-MOLD button To activate the remote controller's "ANTI-MOLD" function. This will activate the remote controller's "ANTI-MOLD" function. This function will activate the remote controller's "ANTI-MOLD" function.
- 21 SLEEP button To activate the remote controller's "SLEEP" function. This will activate the remote controller's "SLEEP" function. This function will activate the remote controller's "SLEEP" function.
- 22 FAN SPEED button To adjust the fan speed of the remote controller's fan motor (High/Low) or fan speed.

**INDOOR DIMENSIONAL DRAWINGS - INCHES (MM)**



Model	LM012HI-130P433-E	
	Inch	mm
W	30.59	777
D	9.84	250
H	7.91	201

**NOTE** – Due to Lennox' ongoing commitment to quality, Specifications, Ratings, and Dimensions are subject to change without notice and without incurring liability. Improper installation, adjustment, alteration, service or maintenance can cause property damage or personal injury. Installation and service must be performed by a qualified installer and servicing agency