



**SUBMITTAL DATA – WALL-MOUNTED
LM018CO-130P433-E - LM018CI-130P433-E
SINGLE ZONE MINI-SPLIT COOLING ONLY**

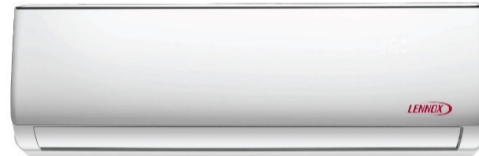
Job: _____
Location: _____
Schedule No.: _____
System Designation: _____

Engineer: _____
Architect: _____
Date: _____

FEATURES

Outdoor Unit: LM018CO-130P433-E
Outdoor Unit Cat Number: 22F57

Indoor Unit: LM018CI-130P433-E
Indoor Unit Cat Number: 22F56



- 3 Meter Copper Pipe Included
- Gold Fin

- Auto Restart
- Wireless Remote
- Emergency Control
- Louver position memory
- Hidden LED Display
- I Feel

PIPING

Line Set and Elevation Guidelines	
Maximum Line Set Length ft. (m)	49.2 ft. (15 m)
Maximum Elevation - Outdoor Unit Below/Above Indoor Unit ft. (m)	16.4 ft. (5 m)
Liquid Line Set Diameter (in.)	1/4"
Gas Line Set Diameter (in.)	1/2"

PRODUCT WARRANTY

5 Year Limited Warranty*

OPTIONAL ACCESORIES



—



NOTE – Due to Lennox' ongoing commitment to quality, Specifications, Ratings, and Dimensions are subject to change without notice and without incurring liability. Improper installation, adjustment, alteration, service or maintenance can cause property damage or personal injury. Installation and service must be performed by a qualified installer and servicing agency



**SUBMITTAL DATA – WALL-MOUNTED
LM018CO-130P433-E - LM018CI-130P433-E
SINGLE ZONE MINI-SPLIT COOLING ONLY**

OUTDOOR SPECIFICATIONS

PERFORMANCE

Cooling Capacity (Btu/h)	17,998
EER(W/W)	2.85
SEER(BTUH/W)	12.8
Heating Capacity (Btu/h)	/
COP	/

Outdoor Fan Total Air Volume (CFM)	1165
------------------------------------	------

Ambient Temperature Operating Range	
Cooling	64 °F(18°C) - 109 °F(43°C)
Heating	/

ELECTRICAL DATA

Power Supply (V/Hz/ϕ)	208-230/60/1
Minimum Circuit Ampacity (A)	/
Maximum Overcurrent Protection (A)	/
Outdoor Fan Motor RLA (A)	0.4
Compressor RLA (A)	6.35
No. of Compressors	1

GENERAL DATA

Connection Ratio (%)	100%
Max. # of Indoor Units	1
Sound Data (dBA) - Cooling/Heating	58
Refrigerant type	R-410A
Factory refrigerant charge	1.92 lbs. 30.69 oz.

DIMENSIONS

Unit Dimensions (in)	Height	22
	Width	32
	Depth	12

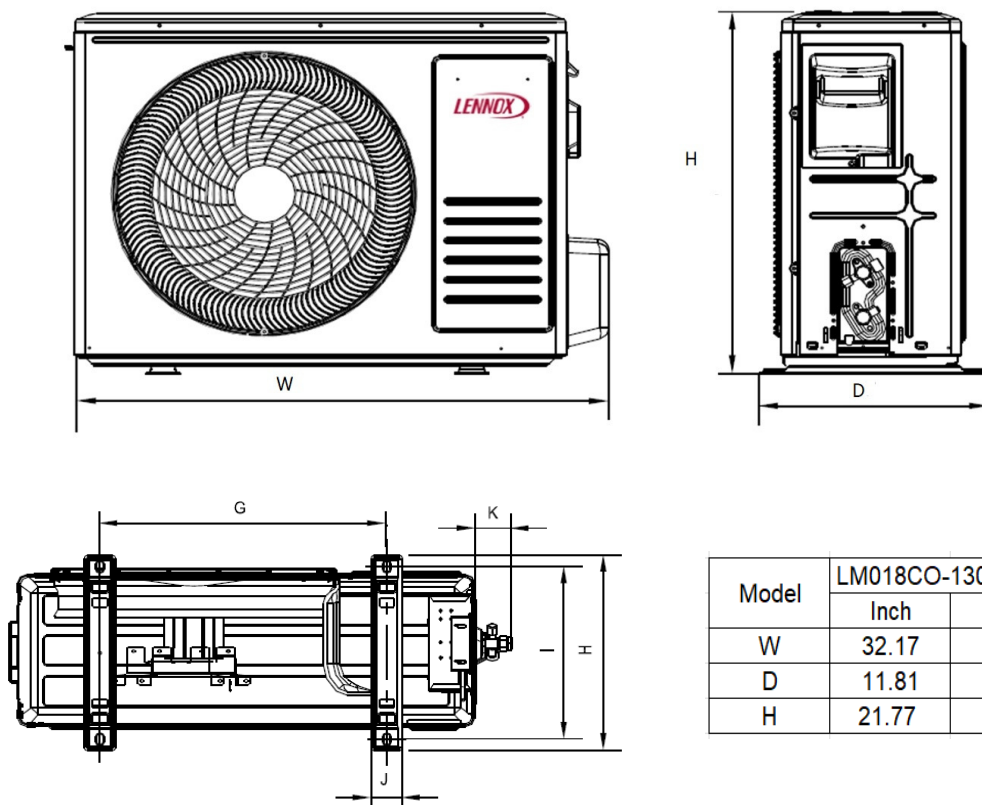
Shipping Weight (lb)	82
----------------------	----

Net Weight (lb)	71
-----------------	----

NOTES

1. Cooling and Heating Capacity data is rated at the following conditions:
Cooling: 80 °FDB / 67 °FWB Indoor, 95 °FDB/75 °FWB Outdoor
Heating: 68 °FDB / 59 °FWB Indoor, 44.6 °FDB/ 42.8 °FWB Outdoor

OUTDOOR DIMENSIONAL DRAWINGS - INCHES (MM)



Model	LM018CO-130P433-E	
	Inch	mm
W	32.17	817
D	11.81	300
H	21.77	553

NOTE – Due to Lennox’ ongoing commitment to quality, Specifications, Ratings, and Dimensions are subject to change without notice and without incurring liability. Improper installation, adjustment, alteration, service or maintenance can cause property damage or personal injury. Installation and service must be performed by a qualified installer and servicing agency



**SUBMITTAL DATA – WALL-MOUNTED
LM018CO-130P433-E - LM018CI-130P433-E
SINGLE ZONE MINI-SPLIT COOLING ONLY**

INDOOR SPECIFICATIONS

PERFORMANCE

Airflow (CFM)	Turbo	/
	High	500
	Medium	458
	Low	375
External Static Pressure (in. w.g.)		-
Sound Pressure (dBA)	Turbo	/
	High	44
	Medium	40
	Low	36

ELECTRICAL DATA

Power Supply (V/Hz/φ)	208-230/60/1
Rated load amps (RLA)	0.28
Power Output (W)	23

DIMENSIONS

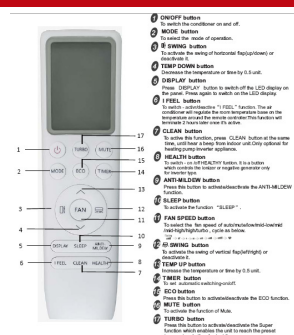
Unit Dimensions (in)	Height	8
	Width	36
	Depth	12
Unit Net/Shipping Weight (lb)		22/29

WIRELESS REMOTE CONTROLLER SPECIFICATIONS

To be determined

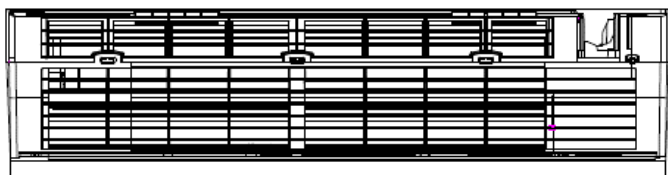
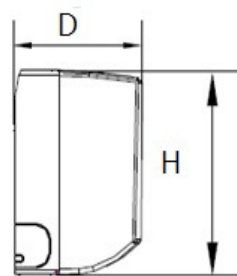
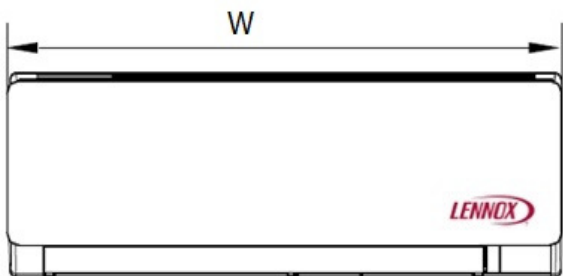
Power Supply	2 AAA Batteries (Included)
Setpoint Range	61 °F (16 °C) - 88 °F (31 °C)
Effective Receiving Range	20 ft. (6m)

DISPLAY



- 1. **POWER** button: To switch the conditioner on and off.
- 2. **MODE** button: To cycle for mode of operation.
- 3. **SWING** button: To activate the swing of horizontal flap(s) and/or louvers.
- 4. **TEMP DOWN** button: To decrease the temperature set point or down by 0.5 unit.
- 5. **TEMP UP** button: To increase the temperature set point or up by 0.5 unit.
- 6. **HEALTHY** button: Press HEALTHY button to switch off the LCD display on the panel. Press again to switch on the LCD display.
- 7. **FEEL** button: To activate temperature "FEEL" function. The set point will regulate the room temperature, take into consideration the room conditions and the sensor within the function will increase or decrease the set point.
- 8. **CLEAN** button: To clean the fan filter, press CLEAN button at the same time. Press CLEAN button three times and only usable for high speed fan speed.
- 9. **HEALTHY** button: To turn on OFF HEALTHY button. It is a button which activates the indoor air purifier function only.
- 10. **ANTI-MOLD** button: Press the button to activate the Anti-Mold function.
- 11. **SLEEP** button: To activate the function "SLEEP".
- 12. **FAN SPEED** button: To select the speed of speed-controlled control fan High/Mid/Low/Off as shown.
- 13. **ECO** button: To activate the function "ECO".
- 14. **SWING** button: To activate the swing of vertical flap(s) and/or louvers.
- 15. **TEMP UP** button: To increase the temperature set point by 0.5 unit.
- 16. **TEMP DOWN** button: To decrease the temperature set point by 0.5 unit.
- 17. **ECO** button: Press the button to activate the ECO function.
- 18. **MEMO** button: To activate the function of Memo.
- 19. **TIMER** button: Press the button to activate the timer function which enables the unit to reach the preset temperature in the shortest time.

INDOOR DIMENSIONAL DRAWINGS - INCHES (MM)



Model	LM018CI-130P433-E	
	Inch	mm
W	35.83	910
D	11.57	294
H	8.11	206

NOTE – Due to Lennox' ongoing commitment to quality, Specifications, Ratings, and Dimensions are subject to change without notice and without incurring liability. Improper installation, adjustment, alteration, service or maintenance can cause property damage or personal injury. Installation and service must be performed by a qualified installer and servicing agency