



**SUBMITTAL DATA – WALL-MOUNTED  
LM018HO-130P433-E - LM018HI-130P433-E  
SINGLE ZONE MINI-SPLIT HEAT PUMP**

Job: \_\_\_\_\_  
Location: \_\_\_\_\_  
Schedule No.: \_\_\_\_\_  
System Designation: \_\_\_\_\_

Engineer: \_\_\_\_\_  
Architect: \_\_\_\_\_  
Date: \_\_\_\_\_

**FEATURES**

**Outdoor Unit: LM018HO-130P433-E  
Outdoor Unit Cat Number: 22F69**

**Indoor Unit: LM018HI-130P433-E  
Indoor Unit Cat Number: 22F68**



- 3 Meter Copper Pipe Included
- Gold Fin

- Auto Restart
- Wireless Remote
- Emergency Control
- Louver position memory
- Hidden LED Display
- I Feel

**PIPING**

Line Set and Elevation Guidelines	
Maximum Line Set Length ft. (m)	49.2 ft. (15 m)
Maximum Elevation - Outdoor Unit Below/Above Indoor Unit ft. (m)	16.4 ft. (5 m)
Liquid Line Set Diameter (in.)	1/4"
Gas Line Set Diameter (in.)	1/2"

**PRODUCT WARRANTY**

5 Year Limited Warranty\*  
\_\_\_\_\_  
\_\_\_\_\_

**OPTIONAL ACCESORIES**

\_\_\_\_\_  
\_\_\_\_\_



**NOTE** – Due to Lennox' ongoing commitment to quality, Specifications, Ratings, and Dimensions are subject to change without notice and without incurring liability. Improper installation, adjustment, alteration, service or maintenance can cause property damage or personal injury. Installation and service must be performed by a qualified installer and servicing agency



**SUBMITTAL DATA – WALL-MOUNTED  
LM018HO-130P433-E - LM018HI-130P433-E  
SINGLE ZONE MINI-SPLIT HEAT PUMP**

**OUTDOOR SPECIFICATIONS**

**PERFORMANCE**

Cooling Capacity (Btu/h)	16,231
EER(W/W)	2.82
SEER(BTUH/W)	12.8
Heating Capacity (Btu/h)	16,917
COP	3.39

Outdoor Fan Total Air Volume (CFM)	1165
------------------------------------	------

Ambient Temperature Operating Range	
Cooling	64°F(18°C) - 109°F(43°C)
Heating	19.4°F(-7°C) - 75.2°F(24°C)

**ELECTRICAL DATA**

Power Supply (V/Hz/ϕ)	208-230/60/1
Minimum Circuit Ampacity (A)	/
Maximum Overcurrent Protection (A)	/
Outdoor Fan Motor RLA (A)	0.39
Compressor RLA (A)	6.35
No. of Compressors	1

**GENERAL DATA**

Connection Ratio (%)	100%
Max. # of Indoor Units	1
Sound Data (dBA) - Cooling/Heating	59
Refrigerant type	R-410A
Factory refrigerant charge	2.78 lbs. 44.45 oz.

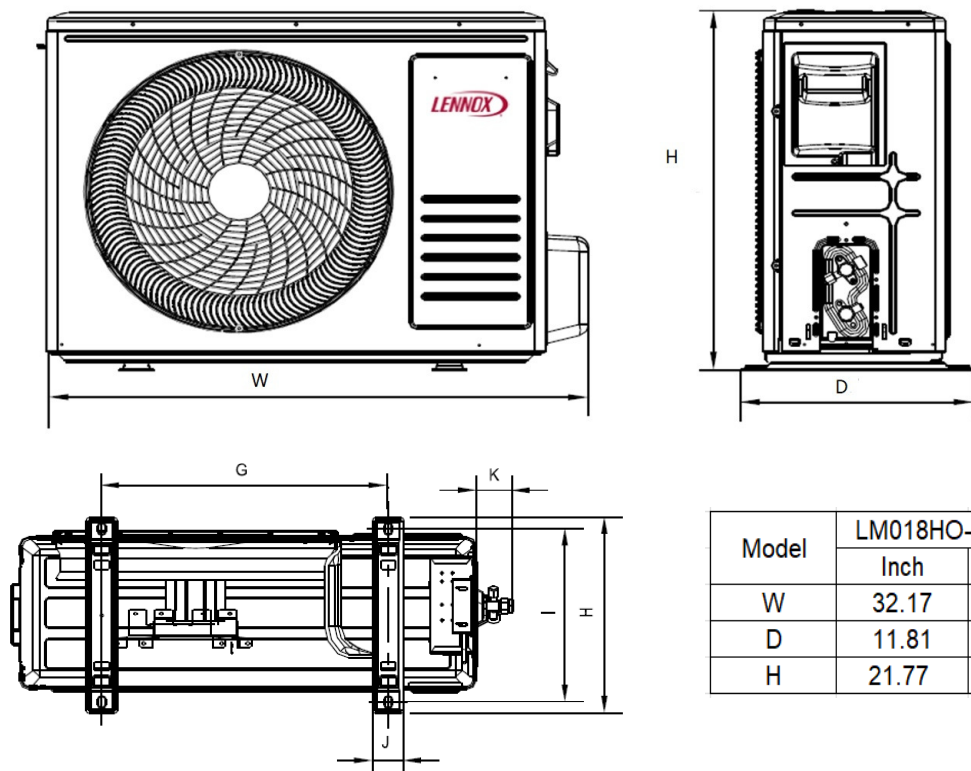
**DIMENSIONS**

Unit Dimensions (in)	Height	22
	Width	32
	Depth	12
Shipping Weight (lb)		84
Net Weight (lb)		73

**NOTES**

1. Cooling and Heating Capacity data is rated at the following conditions:  
Cooling: 80°FDB / 67°FWB Indoor, 95°FDB/75°FWB Outdoor  
Heating: 68°FDB / 59°FWB Indoor, 44.6°FDB/ 42.8°FWB Outdoor

**OUTDOOR DIMENSIONAL DRAWINGS - INCHES (MM)**



Model	LM018HO-130P433-E	
	Inch	mm
W	32.17	817
D	11.81	300
H	21.77	553

**NOTE** – Due to Lennox' ongoing commitment to quality, Specifications, Ratings, and Dimensions are subject to change without notice and without incurring liability. Improper installation, adjustment, alteration, service or maintenance can cause property damage or personal injury. Installation and service must be performed by a qualified installer and servicing agency



**SUBMITTAL DATA – WALL-MOUNTED  
LM018HO-130P433-E - LM018HI-130P433-E  
SINGLE ZONE MINI-SPLIT HEAT PUMP**

**INDOOR SPECIFICATIONS**

**PERFORMANCE**

Airflow (CFM)	Turbo	/
	High	471
	Medium	431
	Low	353
External Static Pressure (in. w.g.)		-
Sound Pressure (dBA)	Turbo	/
	High	42
	Medium	40
	Low	35

**ELECTRICAL DATA**

Power Supply (V/Hz/ϕ)	208-230/60/1
Rated load amps (RLA)	0.28
Power Output (W)	23

**DIMENSIONS**

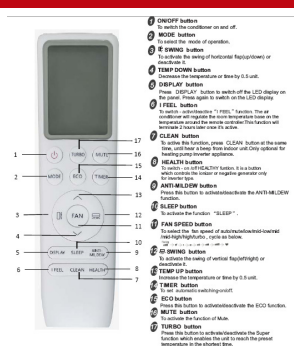
Unit Dimensions (in)	Height	8
	Width	36
	Depth	12
Unit Net/Shipping Weight (lb)		22/29

**WIRELESS REMOTE CONTROLLER SPECIFICATIONS**

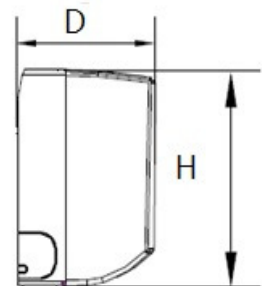
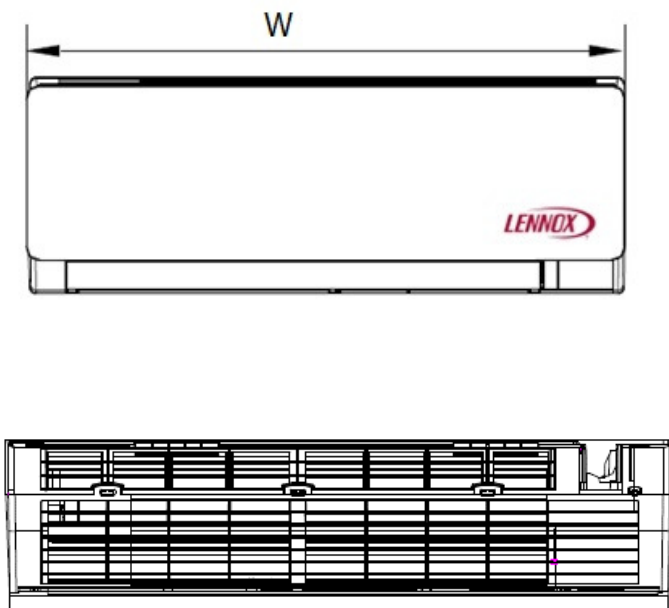
**To be determined**

Power Supply	2 AAA Batteries (Included)
Setpoint Range	61°F(16°C) - 88°F(31°C)
Effective Receiving Range	20 ft.(6m)

**DISPLAY**



**INDOOR DIMENSIONAL DRAWINGS - INCHES (MM)**



Model	LM018HI-130P433-E	
	Inch	mm
W	35.83	910
D	11.57	294
H	8.11	206

**NOTE** – Due to Lennox’ ongoing commitment to quality, Specifications, Ratings, and Dimensions are subject to change without notice and without incurring liability. Improper installation, adjustment, alteration, service or maintenance can cause property damage or personal injury. Installation and service must be performed by a qualified installer and servicing agency