



**SUBMITTAL DATA – WALL-MOUNTED  
LM024CO-130P433-E - LM024CI-130P433-E  
SINGLE ZONE MINI-SPLIT COOLING ONLY**

Job: \_\_\_\_\_  
Location: \_\_\_\_\_  
Schedule No.: \_\_\_\_\_  
System Designation: \_\_\_\_\_

Engineer: \_\_\_\_\_  
Architect: \_\_\_\_\_  
Date: \_\_\_\_\_

**FEATURES**

**Outdoor Unit: LM024CO-130P433-E**  
**Outdoor Unit Cat Number: 22F59**

**Indoor Unit: LM024CI-130P433-E**  
**Indoor Unit Cat Number: 22F58**



- 3 Meter Copper Pipe Included
- Gold Fin

- Auto Restart
- Wireless Remote
- Emergency Control
- Louver position memory
- Hidden LED Display
- I Feel

**PIPING**

Line Set and Elevation Guidelines	
Maximum Line Set Length ft. (m)	49.2 ft. (15 m)
Maximum Elevation - Outdoor Unit Below/Above Indoor Unit ft. (m)	16.4 ft. (5 m)
Liquid Line Set Diameter (in.)	1/4"
Gas Line Set Diameter (in.)	5/8"

**PRODUCT WARRANTY**

5 Year Limited Warranty\*  
\_\_\_\_\_  
\_\_\_\_\_

**OPTIONAL ACCESORIES**

\_\_\_\_\_  
\_\_\_\_\_



**NOTE** – Due to Lennox' ongoing commitment to quality, Specifications, Ratings, and Dimensions are subject to change without notice and without incurring liability. Improper installation, adjustment, alteration, service or maintenance can cause property damage or personal injury. Installation and service must be performed by a qualified installer and servicing agency



**SUBMITTAL DATA – WALL-MOUNTED  
LM024CO-130P433-E - LM024CI-130P433-E  
SINGLE ZONE MINI-SPLIT COOLING ONLY**

**OUTDOOR SPECIFICATIONS**

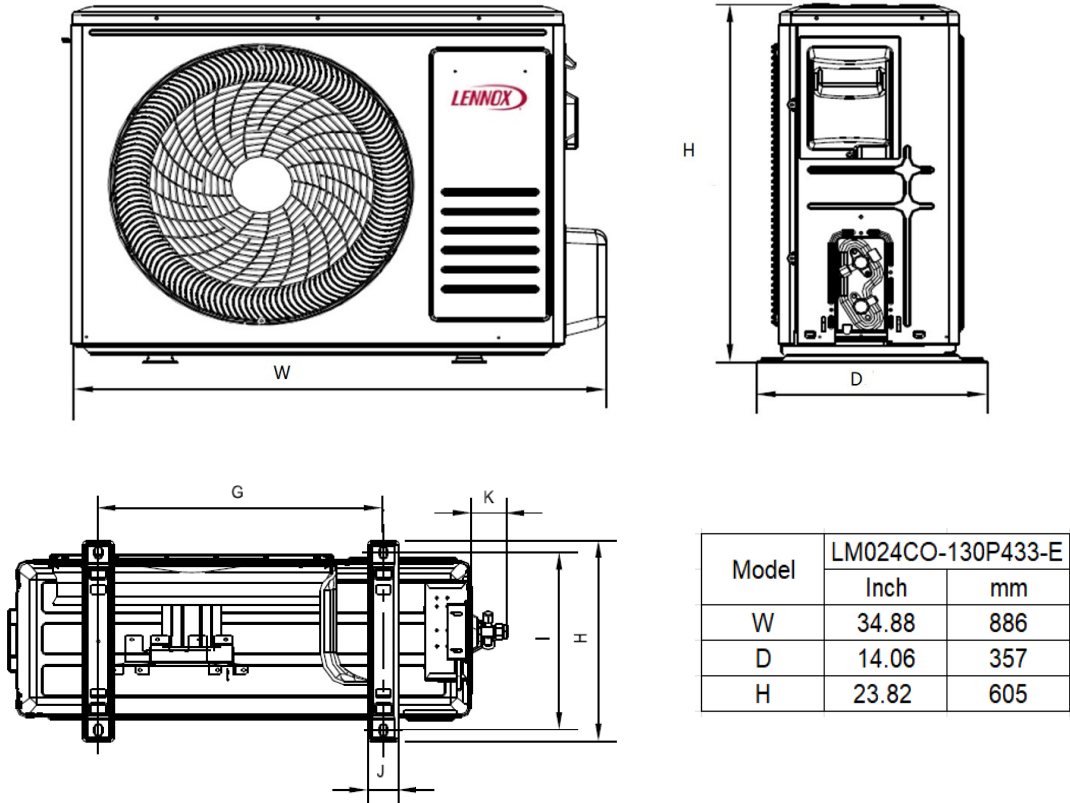
PERFORMANCE	
Cooling Capacity (Btu/h)	23,986
EER(W/W)	2.80
SEER(BTUH/W)	12.5
Heating Capacity (Btu/h)	/
COP	/
Outdoor Fan Total Air Volume (CFM)	1572
Ambient Temperature Operating Range	
Cooling	64 °F(18°C) - 109 °F(43°C)
Heating	/
ELECTRICAL DATA	
Power Supply (V/Hz/ϕ)	208-230/60/1
Minimum Circuit Ampacity (A)	/
Maximum Overcurrent Protection (A)	/
Outdoor Fan Motor RLA (A)	0.48
Compressor RLA (A)	8.8
No. of Compressors	1

GENERAL DATA	
Connection Ratio (%)	100%
Max. # of Indoor Units	1
Sound Data (dBA) - Cooling/Heating	62
Refrigerant type	R-410A
Factory refrigerant charge	2.43 lbs. 38.8 oz.

DIMENSIONS		
Unit Dimensions (in)	Height	24
	Width	35
	Depth	14
Shipping Weight (lb)		101
Net Weight (lb)		88

**NOTES**  
1. Cooling and Heating Capacity data is rated at the following conditions:  
Cooling: 80 °FDB / 67 °FWB Indoor, 95 °FDB/75 °FWB Outdoor  
Heating: 68 °FDB / 59 °FWB Indoor, 44.6 °FDB/ 42.8 °FWB Outdoor

**OUTDOOR DIMENSIONAL DRAWINGS - INCHES (MM)**



Model	LM024CO-130P433-E	
	Inch	mm
W	34.88	886
D	14.06	357
H	23.82	605

**NOTE** – Due to Lennox’ ongoing commitment to quality, Specifications, Ratings, and Dimensions are subject to change without notice and without incurring liability. Improper installation, adjustment, alteration, service or maintenance can cause property damage or personal injury. Installation and service must be performed by a qualified installer and servicing agency



**SUBMITTAL DATA – WALL-MOUNTED  
LM024CO-130P433-E - LM024CI-130P433-E  
SINGLE ZONE MINI-SPLIT COOLING ONLY**

**INDOOR SPECIFICATIONS**

**PERFORMANCE**

Airflow (CFM)	Turbo	/
	High	588
	Medium	515
	Low	441

External Static Pressure (in. w.g.) -

Sound Pressure (dBA)	Turbo	/
	High	50
	Medium	46
	Low	42

**ELECTRICAL DATA**

Power Supply (V/Hz/φ)	208-230/60/1
Rated load amps (RLA)	0.46
Power Output (W)	50

**DIMENSIONS**

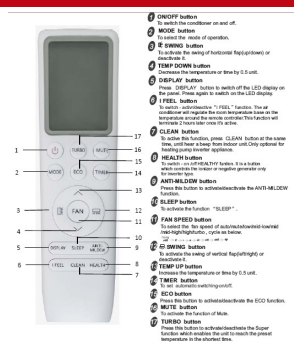
Unit Dimensions (in)	Height	9
	Width	40
	Depth	12
Unit Net/Shipping Weight (lb)	29/35	

**WIRELESS REMOTE CONTROLLER SPECIFICATIONS**

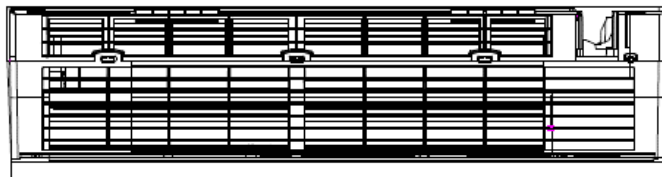
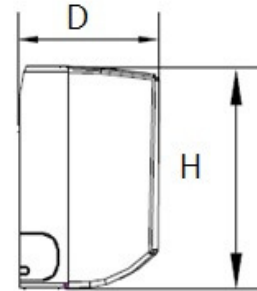
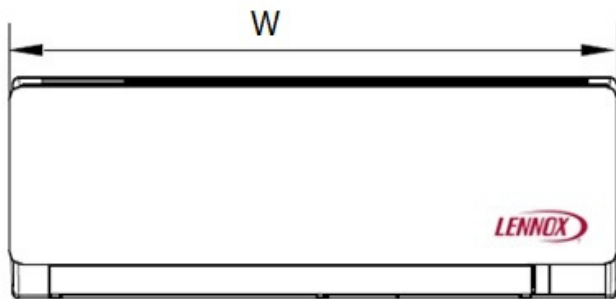
**To be determined**

Power Supply	2 AAA Batteries (Included)
Setpoint Range	61°F(16°C) - 88°F(31°C)
Effective Receiving Range	20 ft.(6m)

**DISPLAY**



**INDOOR DIMENSIONAL DRAWINGS - INCHES (MM)**



Model	LM024CI-130P433-E	
	Inch	mm
W	39.76	1010
D	12.4	315
H	8.66	220

**NOTE** – Due to Lennox’ ongoing commitment to quality, Specifications, Ratings, and Dimensions are subject to change without notice and without incurring liability. Improper installation, adjustment, alteration, service or maintenance can cause property damage or personal injury. Installation and service must be performed by a qualified installer and servicing agency