



**SUBMITTAL DATA – WALL-MOUNTED
LM024HO-130P433-E - LM024HI-130P433-E
SINGLE ZONE MINI-SPLIT HEAT PUMP**

Job: _____
Location: _____
Schedule No.: _____
System Designation: _____

Engineer: _____
Architect: _____
Date: _____

FEATURES

Outdoor Unit: LM024HO-130P433-E
Outdoor Unit Cat Number: 22F71

Indoor Unit: LM024HI-130P433-E
Indoor Unit Cat Number: 22F70



- 3 Meter Copper Pipe Included
- Gold Fin

- Auto Restart
- Wireless Remote
- Emergency Control
- Louver position memory
- Hidden LED Display
- I Feel

PIPING

Line Set and Elevation Guidelines	
Maximum Line Set Length ft. (m)	49.2 ft. (15 m)
Maximum Elevation - Outdoor Unit Below/Above Indoor Unit ft. (m)	16.4 ft. (5 m)
Liquid Line Set Diameter (in.)	1/4"
Gas Line Set Diameter (in.)	5/8"

PRODUCT WARRANTY

5 Year Limited Warranty*

OPTIONAL ACCESORIES



NOTE – Due to Lennox’ ongoing commitment to quality, Specifications, Ratings, and Dimensions are subject to change without notice and without incurring liability. Improper installation, adjustment, alteration, service or maintenance can cause property damage or personal injury. Installation and service must be performed by a qualified installer and servicing agency



**SUBMITTAL DATA – WALL-MOUNTED
LM024HO-130P433-E - LM024HI-130P433-E
SINGLE ZONE MINI-SPLIT HEAT PUMP**

OUTDOOR SPECIFICATIONS

PERFORMANCE

Cooling Capacity (Btu/h)	21,100
EER(W/W)	2.95
SEER(BTUH/W)	12.5
Heating Capacity (Btu/h)	21,117
COP	3.23

Outdoor Fan Total Air Volume (CFM)	1572
Ambient Temperature Operating Range	
Cooling	64°F(18°C) - 109°F(43°C)
Heating	19.4°F(-7°C) - 75.2°F(24°C)

ELECTRICAL DATA

Power Supply (V/Hz/ϕ)	208-230/60/1
Minimum Circuit Ampacity (A)	/
Maximum Overcurrent Protection (A)	/
Outdoor Fan Motor RLA (A)	0.48
Compressor RLA (A)	8.8
No. of Compressors	1

GENERAL DATA

Connection Ratio (%)	100%
Max. # of Indoor Units	1
Sound Data (dBA) - Cooling/Heating	61
Refrigerant type	R-410A
Factory refrigerant charge	3.09 lbs. 49.38 oz.

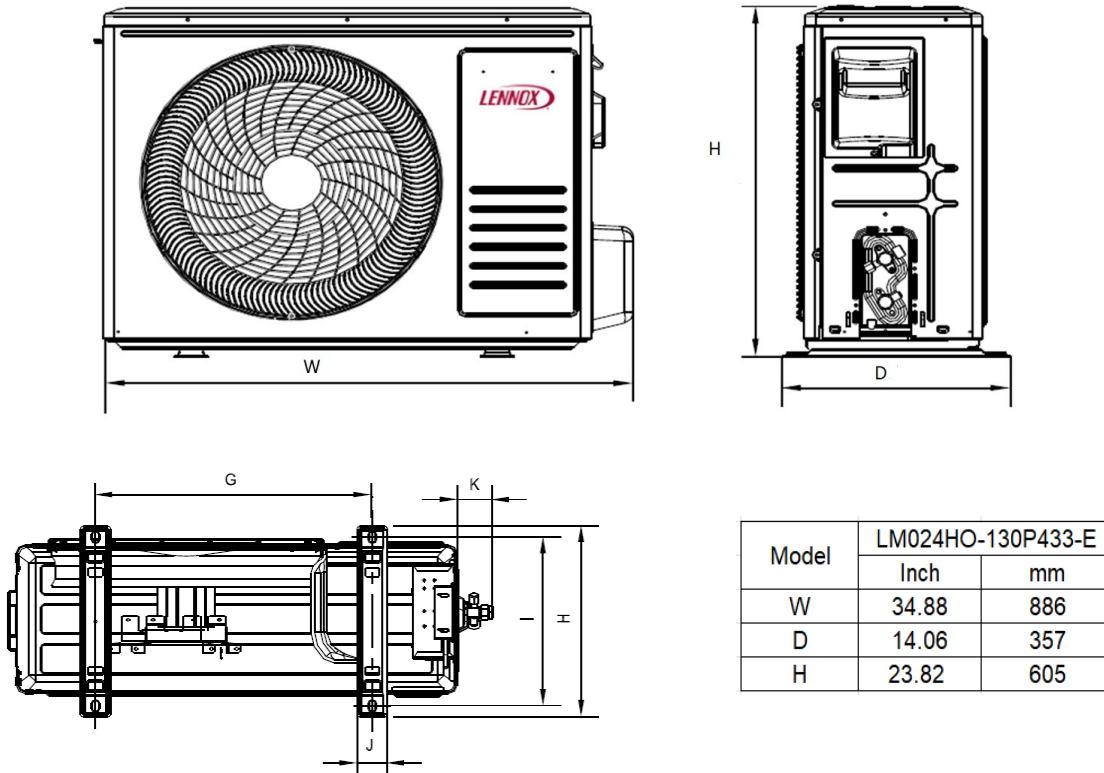
DIMENSIONS

Unit Dimensions (in)	Height	24
	Width	35
	Depth	14
Shipping Weight (lb)		104
Net Weight (lb)		93

NOTES

1. Cooling and Heating Capacity data is rated at the following conditions:
Cooling: 80°FDB / 67°FWB Indoor, 95°FDB/75°FWB Outdoor
Heating: 68°FDB / 59°FWB Indoor, 44.6°FDB/ 42.8°FWB Outdoor

OUTDOOR DIMENSIONAL DRAWINGS - INCHES (MM)



NOTE – Due to Lennox’ ongoing commitment to quality, Specifications, Ratings, and Dimensions are subject to change without notice and without incurring liability. Improper installation, adjustment, alteration, service or maintenance can cause property damage or personal injury. Installation and service must be performed by a qualified installer and servicing agency



**SUBMITTAL DATA – WALL-MOUNTED
LM024HO-130P433-E - LM024HI-130P433-E
SINGLE ZONE MINI-SPLIT HEAT PUMP**

INDOOR SPECIFICATIONS

PERFORMANCE

Airflow (CFM)	Turbo	/
	High	647
	Medium	566
	Low	485
External Static Pressure (in. w.g.)		-
Sound Pressure (dBA)	Turbo	/
	High	51
	Medium	47
	Low	43

ELECTRICAL DATA

Power Supply (V/Hz/φ)	208-230/60/1
Rated load amps (RLA)	0.46
Power Output (W)	48

DIMENSIONS

Unit Dimensions (in)	Height	9
	Width	40
	Depth	12
Unit Net/Shipping Weight (lb)		29/35

WIRELESS REMOTE CONTROLLER SPECIFICATIONS

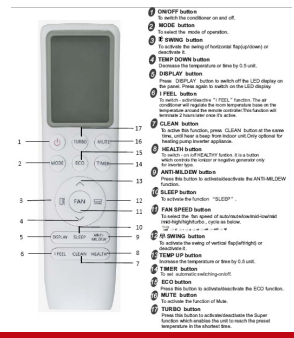
To be determined

Power Supply	2 AAA Batteries (Included)
--------------	-------------------------------

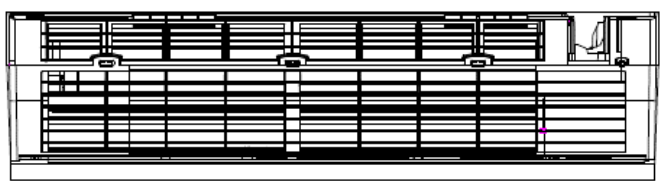
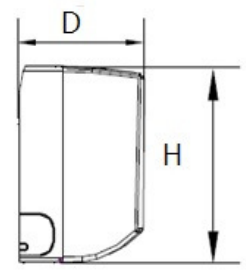
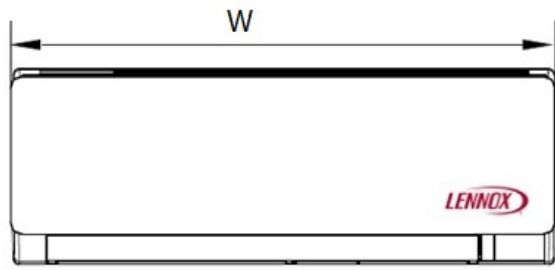
Setpoint Range	61 °F(16°C) - 88 °F(31°C)
----------------	---------------------------

Effective Receiving Range	20 ft.(6m)
---------------------------	------------

DISPLAY



INDOOR DIMENSIONAL DRAWINGS - INCHES (MM)



Model	LM024HI-130P433-E	
	Inch	mm
W	39.76	1010
D	12.4	315
H	8.66	220

NOTE – Due to Lennox' ongoing commitment to quality, Specifications, Ratings, and Dimensions are subject to change without notice and without incurring liability. Improper installation, adjustment, alteration, service or maintenance can cause property damage or personal injury. Installation and service must be performed by a qualified installer and servicing agency