



**SUBMITTAL DATA – WALL-MOUNTED
LI018HO-160P433-E - LI018HI-160P433-E
SINGLE ZONE MINI-SPLIT HEAT PUMP**

Job: _____
 Location: _____
 Schedule No.: _____
 System Designation: _____

Engineer: _____
 Architect: _____
 Date: _____

FEATURES

Outdoor Unit: LI018HO-160P433-E
Outdoor Unit Cat Number: 22F97

Indoor Unit: LI018HI-160P433-E
Indoor Unit Cat Number: 22F96



- 3 Meter Copper Pipe Included
- Gold Fin

- Auto Restart
- Wireless Remote
- Emergency Control
- Louver position memory
- Hidden LED Display
- I Feel

PIPING

| Line Set and Elevation Guidelines | |
|--|-----------------|
| Maximum Line Set Length ft. (m) | 49.2 ft. (15 m) |
| Maximum Elevation - Outdoor Unit Below/Above Indoor Unit ft. (m) | 16.4 ft. (5 m) |
| Liquid Line Set Diameter (in.) | 1/4" |
| Gas Line Set Diameter (in.) | 3/8" |

PRODUCT WARRANTY

5 Year Limited Warranty*

OPTIONAL ACCESORIES



NOTE – Due to Lennox' ongoing commitment to quality, Specifications, Ratings, and Dimensions are subject to change without notice and without incurring liability. Improper installation, adjustment, alteration, service or maintenance can cause property damage or personal injury. Installation and service must be performed by a qualified installer and servicing agency



**SUBMITTAL DATA – WALL-MOUNTED
LI018HO-160P433-E - LI018HI-160P433-E
SINGLE ZONE MINI-SPLIT HEAT PUMP**

OUTDOOR SPECIFICATIONS

PERFORMANCE

| | |
|--------------------------|--------|
| Cooling Capacity (Btu/h) | 16,412 |
| EER(W/W) | 2.82 |
| SEER(BTUH/W) | 17.5 |
| Heating Capacity (Btu/h) | 17,183 |
| COP | 3.07 |

| | |
|-------------------------------------|-----------------------------|
| Outdoor Fan Total Air Volume (CFM) | 1448 |
| Ambient Temperature Operating Range | |
| Cooling | 64 °F(18°C) - 109 °F(43°C) |
| Heating | 19.4 °F(-7°C) - 88 °F(31°C) |

ELECTRICAL DATA

| | |
|------------------------------------|--------------|
| Power Supply (V/Hz/ϕ) | 208-230/60/1 |
| Minimum Circuit Ampacity (A) | 9 |
| Maximum Overcurrent Protection (A) | 25 |
| Outdoor Fan Motor RLA (A) | 0.15 |
| Compressor RLA (A) | 6.8 |
| No. of Compressors | 1 |

GENERAL DATA

| | |
|------------------------------------|---------------------|
| Connection Ratio (%) | 100% |
| Max. # of Indoor Units | 1 |
| Sound Data (dBA) - Cooling/Heating | 54 |
| Refrigerant type | R-410A |
| Factory refrigerant charge | 2.34 lbs. 37.39 oz. |

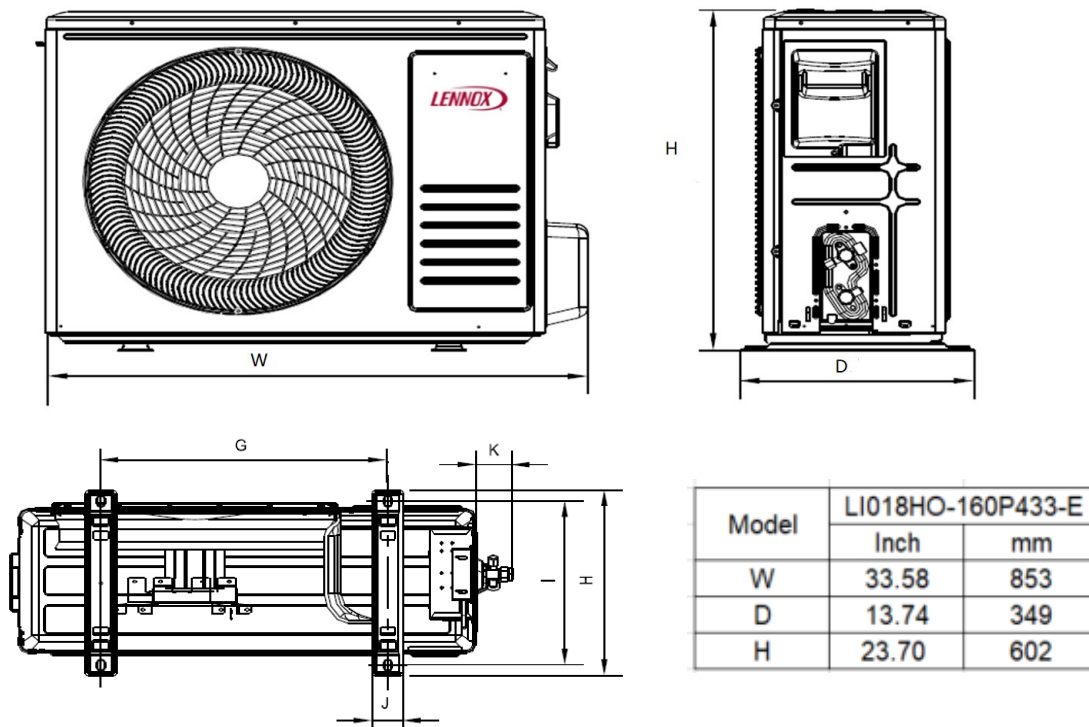
DIMENSIONS

| | | |
|----------------------|--------|----|
| Unit Dimensions (in) | Height | 24 |
| | Width | 34 |
| | Depth | 14 |
| Shipping Weight (lb) | | 77 |
| Net Weight (lb) | | 68 |

NOTES

1. Cooling and Heating Capacity data is rated at the following conditions:
Cooling: 80 °FDB / 67 °FWB Indoor, 95 °FDB/75 °FWB Outdoor
Heating: 68 °FDB / 59 °FWB Indoor, 44.6 °FDB/ 42.8 °FWB Outdoor

OUTDOOR DIMENSIONAL DRAWINGS - INCHES (MM)



NOTE – Due to Lennox’ ongoing commitment to quality, Specifications, Ratings, and Dimensions are subject to change without notice and without incurring liability. Improper installation, adjustment, alteration, service or maintenance can cause property damage or personal injury. Installation and service must be performed by a qualified installer and servicing agency



**SUBMITTAL DATA – WALL-MOUNTED
LI018HO-160P433-E - LI018HI-160P433-E
SINGLE ZONE MINI-SPLIT HEAT PUMP**

INDOOR SPECIFICATIONS

PERFORMANCE

| | | |
|-------------------------------------|--------|-----|
| Airflow (CFM) | Turbo | / |
| | High | 441 |
| | Medium | 353 |
| | Low | 317 |
| External Static Pressure (in. w.g.) | | - |
| Sound Pressure (dBA) | Turbo | / |
| | High | 43 |
| | Medium | 38 |
| | Low | 34 |

ELECTRICAL DATA

| | |
|-----------------------|--------------|
| Power Supply (V/Hz/φ) | 208-230/60/1 |
| Rated load amps (RLA) | 0.12 |
| Power Output (W) | 25 |

DIMENSIONS

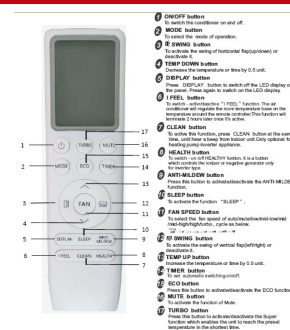
| | | |
|-------------------------------|--------|-------|
| Unit Dimensions (in) | Height | 8 |
| | Width | 36 |
| | Depth | 12 |
| Unit Net/Shipping Weight (lb) | | 22/29 |

WIRELESS REMOTE CONTROLLER SPECIFICATIONS

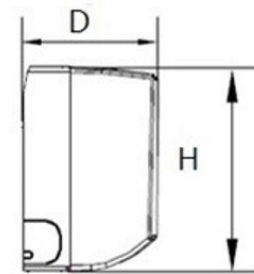
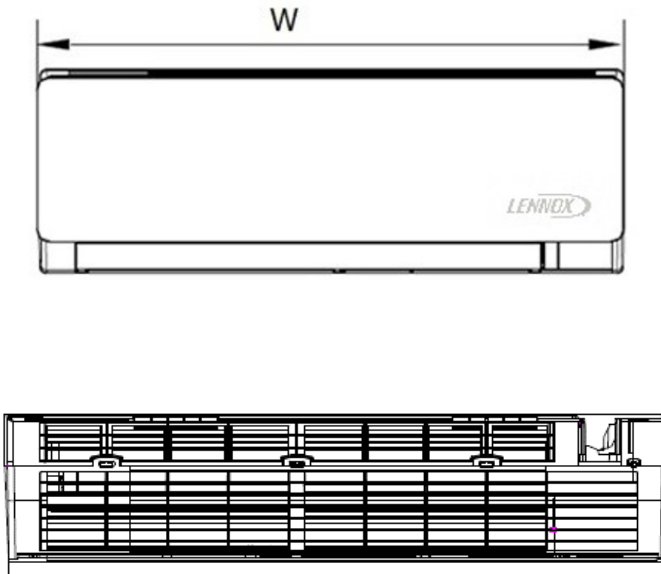
23C82

| | |
|---------------------------|-------------------------------|
| Power Supply | 2 AAA Batteries (Included) |
| Setpoint Range | 61 °F(16°C) - 88 °F(31°C) |
| Effective Receiving Range | 20 ft.(6m) |

DISPLAY



INDOOR DIMENSIONAL DRAWINGS - INCHES (MM)



| Model | LI018HI-160P433-E | |
|-------|-------------------|-----|
| | Inch | mm |
| W | 35.83 | 910 |
| D | 11.57 | 294 |
| H | 8.11 | 206 |

NOTE – Due to Lennox’ ongoing commitment to quality, Specifications, Ratings, and Dimensions are subject to change without notice and without incurring liability. Improper installation, adjustment, alteration, service or maintenance can cause property damage or personal injury. Installation and service must be performed by a qualified installer and servicing agency