



**SUBMITTAL DATA – WALL-MOUNTED  
LI024HO-160P433-E - LI024HI-160P433-E  
SINGLE ZONE MINI-SPLIT HEAT PUMP**

Job: \_\_\_\_\_  
Location: \_\_\_\_\_  
Schedule No.: \_\_\_\_\_  
System Designation: \_\_\_\_\_

Engineer: \_\_\_\_\_  
Architect: \_\_\_\_\_  
Date: \_\_\_\_\_

**FEATURES**

**Outdoor Unit: LI024HO-160P433-E  
Outdoor Unit Cat Number: 22F99**

**Indoor Unit: LI024HI-160P433-E  
Indoor Unit Cat Number: 22F98**



- 3 Meter Copper Pipe Included
- Gold Fin

- Auto Restart
- Wireless Remote
- Emergency Control
- Louver position memory
- Hidden LED Display
- I Feel

**PIPING**

**Line Set and Elevation Guidelines**

Maximum Line Set Length ft. (m)	49.2 ft. (15 m)
Maximum Elevation - Outdoor Unit Below/Above Indoor Unit ft. (m)	16.4 ft. (5 m)
Liquid Line Set Diameter (in.)	1/4"
Gas Line Set Diameter (in.)	1/2"

**PRODUCT WARRANTY**

5 Year Limited Warranty\*

**OPTIONAL ACCESORIES**



—



**NOTE** – Due to Lennox’ ongoing commitment to quality, Specifications, Ratings, and Dimensions are subject to change without notice and without incurring liability. Improper installation, adjustment, alteration, service or maintenance can cause property damage or personal injury. Installation and service must be performed by a qualified installer and servicing agency



**SUBMITTAL DATA – WALL-MOUNTED  
LI024HO-160P433-E - LI024HI-160P433-E  
SINGLE ZONE MINI-SPLIT HEAT PUMP**

**OUTDOOR SPECIFICATIONS**

**PERFORMANCE**

Cooling Capacity (Btu/h)	22,007
EER(W/W)	2.82
SEER(BTUH/W)	16.6
Heating Capacity (Btu/h)	21,376
COP	2.81

Outdoor Fan Total Air Volume (CFM)	1448
Ambient Temperature Operating Range	
Cooling	64°F(18°C) - 109°F(43°C)
Heating	19.4°F(-7°C) - 88°F(31°C)

**ELECTRICAL DATA**

Power Supply (V/Hz/ϕ)	208-230/60/1
Minimum Circuit Ampacity (A)	11
Maximum Overcurrent Protection (A)	25
Outdoor Fan Motor RLA (A)	0.15
Compressor RLA (A)	7.9
No. of Compressors	1

**GENERAL DATA**

Connection Ratio (%)	100%
Max. # of Indoor Units	1
Sound Data (dBA) - Cooling/Heating	55
Refrigerant type	R-410A
Factory refrigerant charge	3.06 lbs. 49.03 oz.

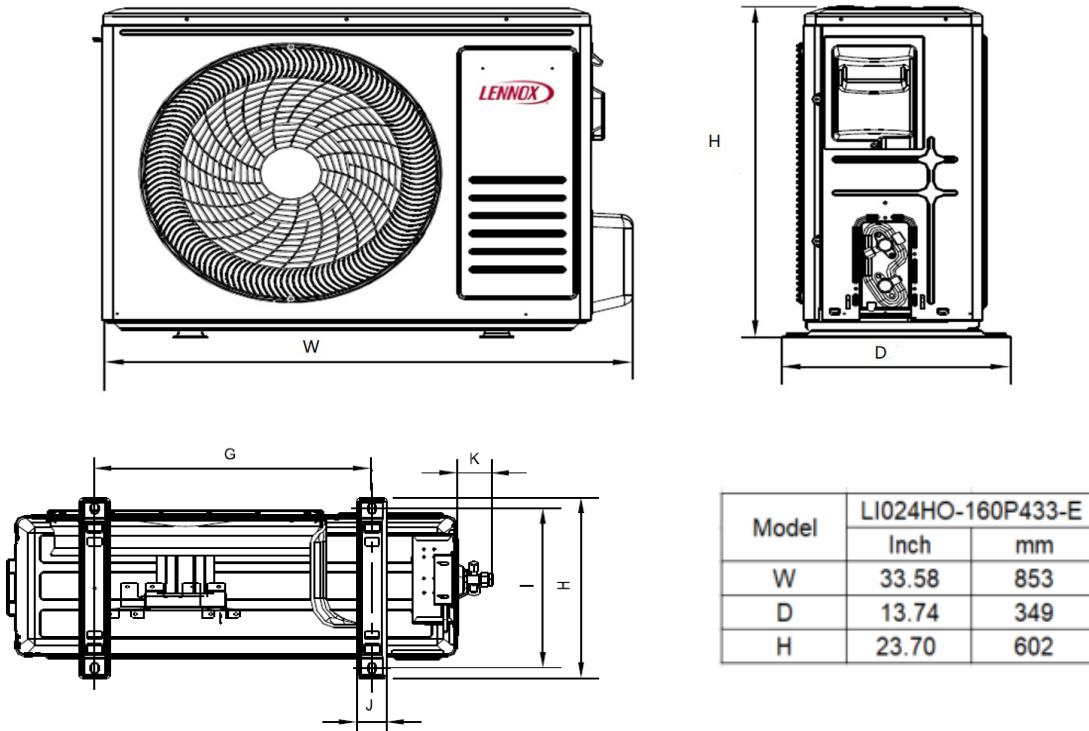
**DIMENSIONS**

Unit Dimensions (in)	Height	24
	Width	34
	Depth	14
Shipping Weight (lb)		84
Net Weight (lb)		73

**NOTES**

1. Cooling and Heating Capacity data is rated at the following conditions:  
Cooling: 80°FDB / 67°FWB Indoor, 95°FDB/75°FWB Outdoor  
Heating: 68°FDB / 59°FWB Indoor, 44.6°FDB/ 42.8°FWB Outdoor

**OUTDOOR DIMENSIONAL DRAWINGS - INCHES (MM)**



**NOTE** – Due to Lennox’ ongoing commitment to quality, Specifications, Ratings, and Dimensions are subject to change without notice and without incurring liability. Improper installation, adjustment, alteration, service or maintenance can cause property damage or personal injury. Installation and service must be performed by a qualified installer and servicing agency



**SUBMITTAL DATA – WALL-MOUNTED  
LI024HO-160P4333-E - LI024HI-160P433-E  
SINGLE ZONE MINI-SPLIT HEAT PUMP**

**INDOOR SPECIFICATIONS**

**PERFORMANCE**

Airflow (CFM)	Turbo	/
	High	588
	Medium	541
	Low	418
External Static Pressure (in. w.g.)		-
Sound Pressure (dBA)	Turbo	/
	High	49
	Medium	45
	Low	41

**ELECTRICAL DATA**

Power Supply (V/Hz/φ)	208-230/60/1
Rated load amps (RLA)	0.2
Power Output (W)	45

**DIMENSIONS**

Unit Dimensions (in)	Height	9
	Width	40
	Depth	12
Unit Net/Shipping Weight (lb)		29/35

**WIRELESS REMOTE CONTROLLER SPECIFICATIONS**

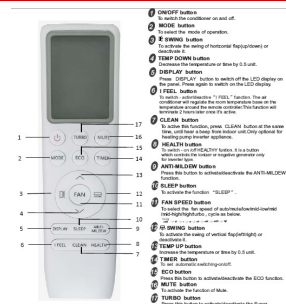
**23C82**

Power Supply	2 AAA Batteries (Included)
--------------	-------------------------------

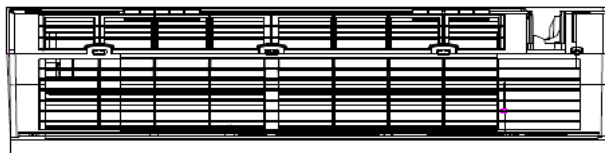
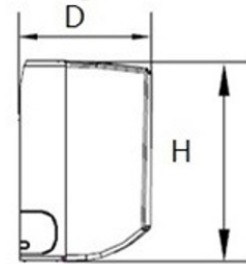
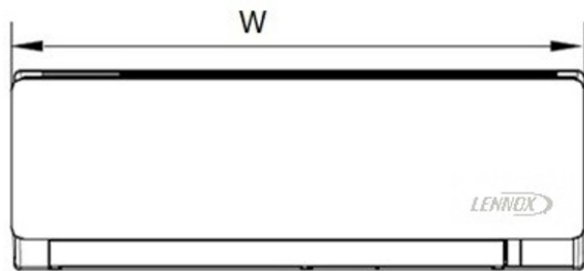
Setpoint Range	61°F(16°C) - 88°F(31°C)
----------------	-------------------------

Effective Receiving Range	20 ft.(6m)
---------------------------	------------

**DISPLAY**



**INDOOR DIMENSIONAL DRAWINGS - INCHES (MM)**



Model	LI024HI-160P433-E	
	Inch	mm
W	39.76	1010
D	12.4	315
H	8.66	220

**NOTE** – Due to Lennox' ongoing commitment to quality, Specifications, Ratings, and Dimensions are subject to change without notice and without incurring liability. Improper installation, adjustment, alteration, service or maintenance can cause property damage or personal injury. Installation and service must be performed by a qualified installer and servicing agency