



SUBMITTAL DATA – WALL-MOUNTED
LI018CO-170P432-1 - LI018CI-170P432-1
SINGLE ZONE INVERTER MINI-SPLIT COOLING ONLY

Job: _____
Location: _____
Schedule No.: _____
System Designation: _____

Engineer: _____
Architect: _____
Date: _____
For: Reference Approval Review Construction

FEATURES

Outdoor Unit: LI018CO-170P432-1
CAT No.: 20Y06



- Golden Fin
- Low Ambient Cooling
- Low Voltage Startup
- 3 Meter Copper Pipe Included

Indoor Unit: LI018CI-170P432-1
CAT No.: 20Y05



- Auto Restart
- Four Selectable Fan Speeds
- Hidden LED Display
- Wireless Remote Included
- Photocatalytic Filter Included

Line Set and Elevation Guidelines

Maximum Line Set Length ft. (m)	82 ft. (25 m)
Maximum Elevation - Outdoor Unit Below/Above Indoor Unit ft. (m)	32.8 ft. (10 m)
Liquid Line Set Diameter (in.)	1/4"
Gas Line Set Diameter (in.)	1/2"

PRODUCT WARRANTY

Five year limited warranty*

OPTIONAL ACCESSORIES

Wifi Module(Y9840. WSBTE04) _____
 Programmable Wired Control(19F47.XK76) _____
 Non Programmable Wired Control(19F49.XE71-44/G) _____



NOTE – Due to Lennox' ongoing commitment to quality, Specifications, Ratings, and Dimensions are subject to change without notice and without incurring liability. Improper installation, adjustment, alteration, service or maintenance can cause property damage or personal injury. Installation and service must be performed by a qualified installer and servicing agency.



SUBMITTAL DATA – WALL-MOUNTED

LI018CO-170P432-1 - LI018CI-170P432-1

SINGLE ZONE INVERTER MINI-SPLIT COOLING ONLY

OUTDOOR SPECIFICATIONS

PERFORMANCE	
Cooling Capacity (Btu/h) ¹	17,400
EER	2.7
SEER	17.5
Heating Capacity (Btu/h) ¹	/
HSPF	/
Outdoor Fan Total Air Volume (CFM)	1,412
Ambient Temperature Operating Range	
Cooling	0°F(-18°C) - 115°F(46°C)
Heating	/

ELECTRICAL DATA	
Power Supply (V/Hz/Φ)	208-230/60/1
Minimum Circuit Ampacity (A)	12
Maximum Overcurrent Protection (A)	20
Outdoor Fan Motor RLA (A)	0.7
Compressor RLA (A)	8.5
No. of Compressors	1

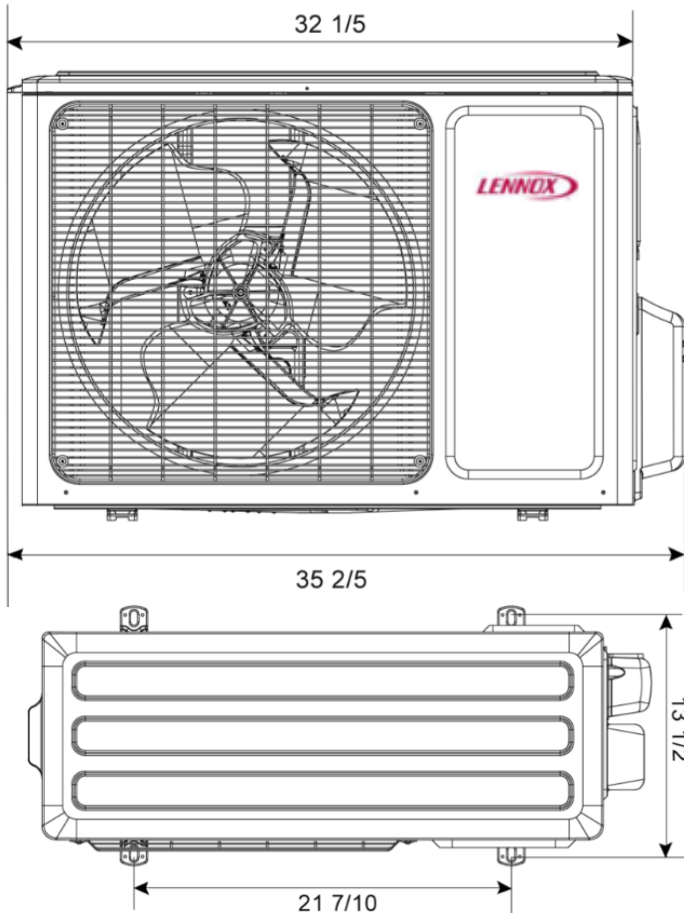
GENERAL DATA	
Connection Ratio (%)	100%
Max. # of Indoor Units	1 unit
Sound Pressure (dBA)	56
Refrigerant type	R-410A
Factory refrigerant charge	2.31 lbs. 37 oz.

DIMENSIONS		
Unit Dimensions (in)	Height	23 1/2
	Width	35 2/5
	Depth	14 9/10
Shipping Weight (lb)	88.2	
Net Weight (lb)	81.6	

NOTES

Cooling and Heating Capacity data is rated at the following conditions:
 Cooling: 80°FDB / 66.9°FWB Indoor, 95°FDB/75°FWB Outdoor
 Heating: 70°FDB / 60°FWB Indoor, 19.94°FDB/ 19.04°FWB Outdoor

OUTDOOR DIMENSIONAL DRAWINGS - INCHES (MM)



ODU	Inch	mm
W	35 2/5	899
H	23 1/2	596
D	14 9/10	378
W1	32 1/5	818
W2	11 9/10	303
W3	21 7/10	550
W4	13 1/2	343

NOTE – Due to Lennox' ongoing commitment to quality, Specifications, Ratings, and Dimensions are subject to change without notice and without incurring liability. Improper installation, adjustment, alteration, service or maintenance can cause property damage or personal injury. Installation and service must be performed by a qualified installer and servicing agency.



SUBMITTAL DATA – WALL-MOUNTED

LI018CO-170P432-1 - LI018CI-170P432-1

SINGLE ZONE INVERTER MINI-SPLIT COOLING ONLY

INDOOR SPECIFICATIONS

PERFORMANCE			
Airflow (CFM)	Turbo	471	
	High	412	
	Medium	383	
	Low	335	
External Static Pressure (in. w.g.)		-	
Sound Pressure (dBA)	Turbo	46	
	High	44	
	Medium	40	
	Low	35	

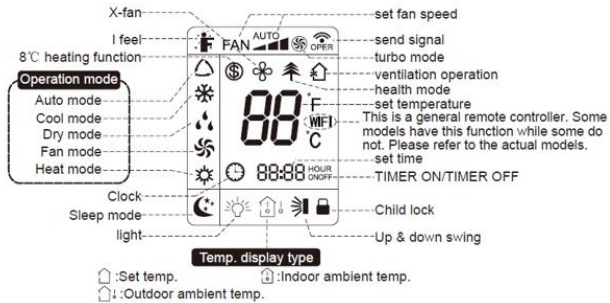
ELECTRICAL DATA	
Power Supply (V/Hz/Φ)	Supplied by ODU
Rated load amps (RLA)	0.4
Power Output (W)	35

DIMENSIONS		
Unit Dimensions (in)	Height	11-13/16
	Width	38-13/64
	Depth	8-13/16
Unit Net/Shipping Weight (lb)		29.8/36.4

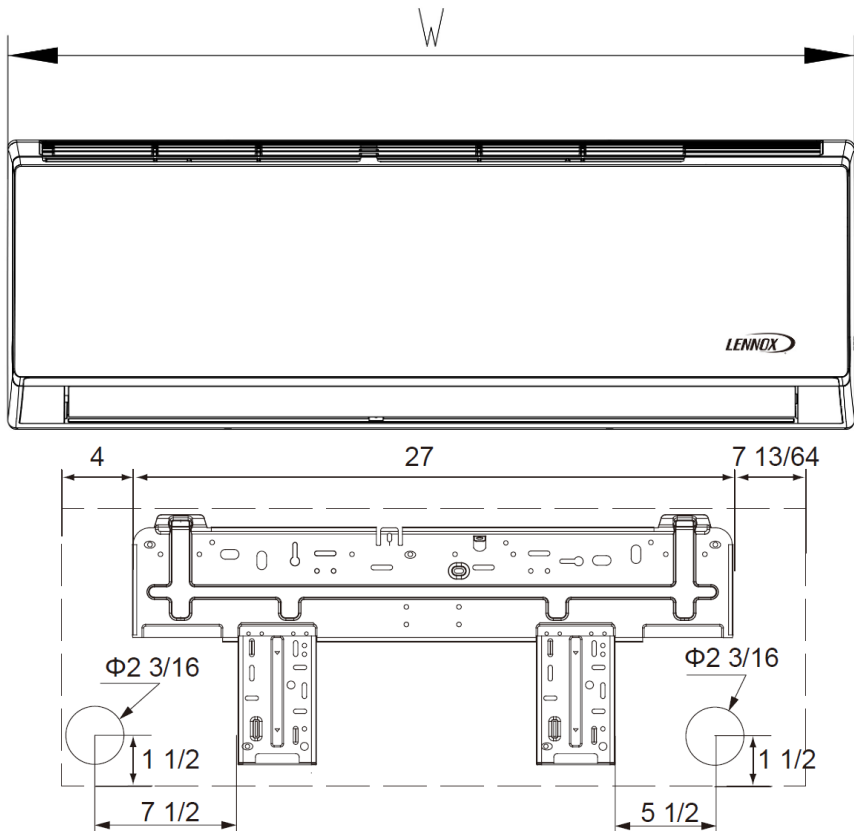
WIRELESS REMOTE CONTROLLER SPECIFICATIONS

Y6334	
Power Supply	2 AAA Batteries (Included)
Setpoint Range	61°F(16°C) - 86°F(30°C)
Effective Receiving Range	26 ft.(8m)

DISPLAY



INDOOR DIMENSIONAL DRAWINGS - INCHES (MM)



IDU	Inch	mm
W	38-13/64	970
H	11-13/16	300
D	8-13/16	224

NOTE – Due to Lennox' ongoing commitment to quality, Specifications, Ratings, and Dimensions are subject to change without notice and without incurring liability. Improper installation, adjustment, alteration, service or maintenance can cause property damage or personal injury. Installation and service must be performed by a qualified installer and servicing agency.