



**SUBMITTAL DATA – WALL-MOUNTED
LI009HO-180P432 - LI009HI-180P432
SINGLE ZONE INVERTER MINI-SPLIT HEAT PUMP**

Job: _____
Location: _____
Schedule No.: _____
System Designation: _____

Engineer: _____
Architect: _____
Date: _____

FEATURES

Outdoor Unit: **LI009HO-180P432**
Outdoor Unit Cat Number: **Y8380**

Indoor Unit: **LI009HI-180P432**
Indoor Unit Cat Number: **Y8379**



- DC Inverter Compressor
- DC ODU Motor
- Golden Fin
- Low Ambient Cooling
- Low Ambient Heating
- Low Voltage Startup
- 3 Meter Copper Pipe Included

- Auto Restart
- Four Selectable Fan Speeds
- Hidden LED Display
- Wireless Remote Included
- Carbon Filter Included
- I Feel Function

PIPING

Line Set and Elevation Guidelines	
Maximum Line Set Length ft. (m)	49.2 ft. (15 m)
Maximum Elevation - Outdoor Unit Below/Above Indoor Unit ft. (m)	32.8 ft. (10 m)
Liquid Line Set Diameter (in.)	1/4"
Gas Line Set Diameter (in.)	3/8"

PRODUCT WARRANTY

5 Year Limited Warranty*

OPTIONAL ACCESORIES

Wifi Module(Y9841, WSBTE05)
Programmable Wired Control(19F47, XK76)
Non Programmable Wired Control(19F49, XE71-44/G)



NOTE – Due to Lennox' ongoing commitment to quality, Specifications, Ratings, and Dimensions are subject to change without notice and without incurring liability. Improper installation, adjustment, alteration, service or maintenance can cause property damage or personal injury. Installation and service must be performed by a qualified installer and servicing agency



**SUBMITTAL DATA – WALL-MOUNTED
LI009HO-180P432 - LI009HI-180P432
SINGLE ZONE INVERTER MINI-SPLIT HEAT PUMP**

OUTDOOR SPECIFICATIONS

PERFORMANCE

Cooling Capacity (Btu/h)	9,000
EER(W/W)	3.1
SEER(BTUH/W)	18
Heating Capacity (Btu/h)	9,500
HSPF	9

Outdoor Fan Total Air Volume (CFM)	941
------------------------------------	-----

Ambient Temperature Operating Range

Cooling	0°F(-18°C) - 115°F(46°C)
Heating	-4°F(-20°C) - 75°F(24°C)

ELECTRICAL DATA

Power Supply (V/Hz/ϕ)	208-230/60/1
Minimum Circuit Ampacity (A)	9
Maximum Overcurrent Protection (A)	15
Outdoor Fan Motor RLA (A)	.36
Compressor RLA (A)	6.6
No. of Compressors	1

GENERAL DATA

Connection Ratio (%)	100%
Max. # of Indoor Units	1
Sound Data (dBA) - Cooling/Heating	52
Refrigerant type	R-410A
Factory refrigerant charge	1.54 lbs. 24.7 oz.

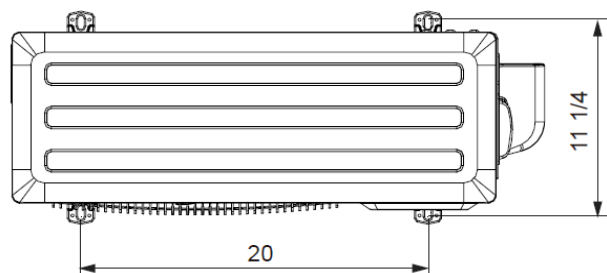
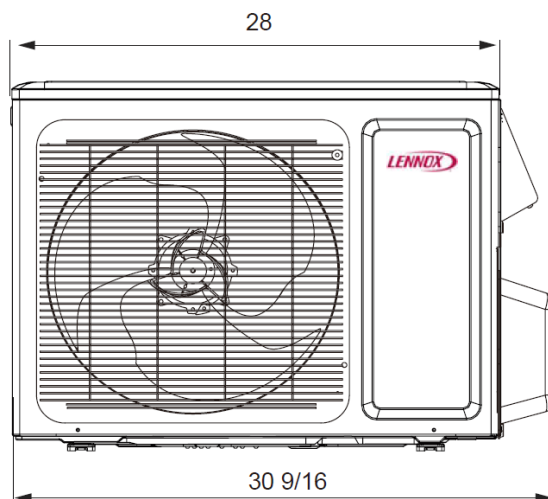
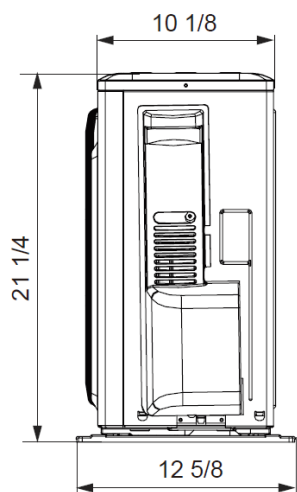
DIMENSIONS

Unit Dimensions (in)	Height	21-1/4
	Width	30-9/16
	Depth	12-5/8
Shipping Weight (lb)		69.5
Net Weight (lb)		63.9

NOTES

1. Cooling and Heating Capacity data is rated at the following conditions:
Cooling: 80°FDB / 67°FWB Indoor, 95°FDB/75°FWB Outdoor
Heating: 70°FDB / 60°FWB Indoor, 19.94°FDB/ 19.04°FWB Outdoor

OUTDOOR DIMENSIONAL DRAWINGS - INCHES (MM)



Model	LI009HO-180P432	
	Inch	mm
W	30 9/16	776
H	21 1/4	540
D	12 5/8	320
W1	28	711.2
W2	10 1/8	257
W3	20	508
W4	11 1/4	285.8

NOTE – Due to Lennox' ongoing commitment to quality, Specifications, Ratings, and Dimensions are subject to change without notice and without incurring liability. Improper installation, adjustment, alteration, service or maintenance can cause property damage or personal injury. Installation and service must be performed by a qualified installer and servicing agency



**SUBMITTAL DATA – WALL-MOUNTED
LI009HO-180P432 - LI009HI-180P432
SINGLE ZONE INVERTER MINI-SPLIT HEAT PUMP**

INDOOR SPECIFICATIONS

PERFORMANCE		
Airflow (CFM)	Turbo	318
	High	288
	Medium	241
	Low	171
External Static Pressure (in. w.g.)		-
Sound Pressure (dBA)	Turbo	43
	High	38
	Medium	34
	Low	28

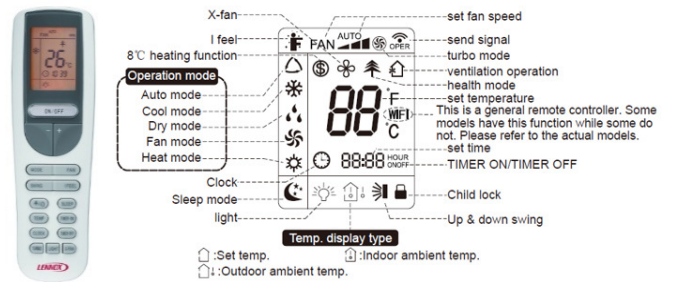
ELECTRICAL DATA	
Power Supply (V/Hz/ϕ)	Supplied by ODU
Rated load amps (RLA)	.22
Power Output (W)	20

DIMENSIONS		
Unit Dimensions (in)	Height	10-53/64
	Width	31-7/64
	Depth	7-7/8
Unit Net/Shipping Weight (lb)		20.9/25.4

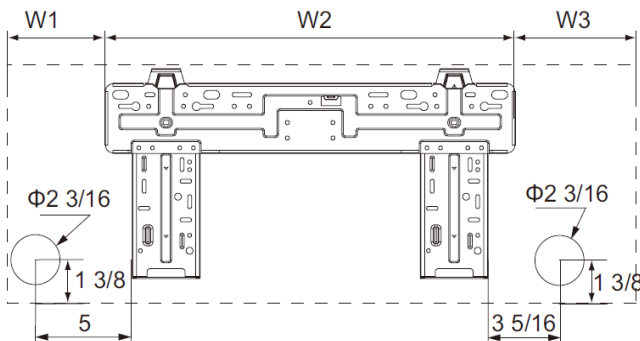
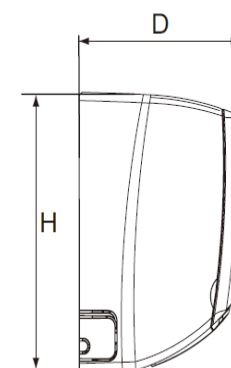
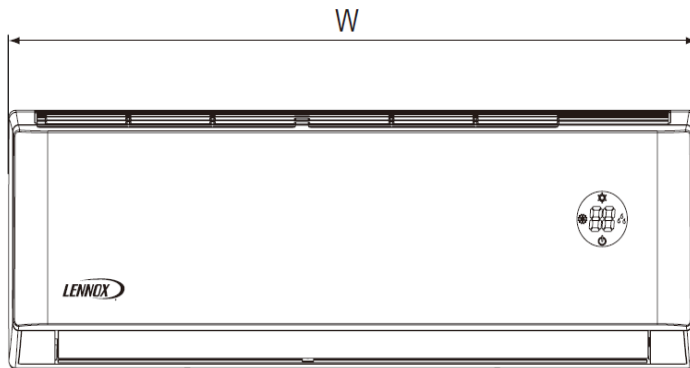
WIRELESS REMOTE CONTROLLER SPECIFICATIONS

Y6334	
Power Supply	2 AAA Batteries (Included)
Setpoint Range	61 °F(16°C) - 86 °F(30°C)
Effective Receiving Range	26 ft.(8m)

DISPLAY



INDOOR DIMENSIONAL DRAWINGS - INCHES (MM)



Model	LI009HI-180P432	
	Inch	mm
W	31-7/64	790
H	10-53/64	275
D	7-7/8	200

NOTE – Due to Lennox' ongoing commitment to quality, Specifications, Ratings, and Dimensions are subject to change without notice and without incurring liability. Improper installation, adjustment, alteration, service or maintenance can cause property damage or personal injury. Installation and service must be performed by a qualified installer and servicing agency