



**SUBMITTAL DATA – WALL-MOUNTED
LI024HO-210P432 - LI024HI-210P432
SINGLE ZONE INVERTER MINI-SPLIT HEAT PUMP**

Job: _____
Location: _____
Schedule No.: _____
System Designation: _____

Engineer: _____
Architect: _____
Date: _____

FEATURES

Outdoor Unit: **LI024HO-210P432**

Outdoor Unit Cat Number: **18J31**

Indoor Unit: **LI024HI-210P432**

Indoor Unit Cat Number: **18J30**



- DC Inverter Compressor
- DC ODU Motor
- Golden Fin
- Electronic Expansion Valve
- Low Ambient Cooling
- Low Ambient Heating
- Low Voltage Startup
- 3 Meter Copper Pipe Included

- Auto Restart
- Four Selectable Fan Speeds
- Hidden LED Display
- Wireless Remote Included
- Photocatalytic Filter Included
- I Feel Function

PIPING

Line Set and Elevation Guidelines

Maximum Line Set Length ft. (m)	100 ft. (30 m)
Maximum Elevation - Outdoor Unit Below/Above Indoor Unit ft. (m)	65 ft. (20 m)
Liquid Line Set Diameter (in.)	1/4"
Gas Line Set Diameter (in.)	5/8"

PRODUCT WARRANTY

5 Year Limited Warranty*

OPTIONAL ACESORIES

Wifi Module(Y9840, WSBTC04)
Programmable Wired Control(19F47, XK76)
Non Programmable Wired Control(19F49, XE71-44/G)



NOTE – Due to Lennox’ ongoing commitment to quality, Specifications, Ratings, and Dimensions are subject to change without notice and without incurring liability. Improper installation, adjustment, alteration, service or maintenance can cause property damage or personal injury. Installation and service must be performed by a qualified installer and servicing agency



**SUBMITTAL DATA – WALL-MOUNTED
LI024HO-210P432 - LI024HI-210P432
SINGLE ZONE INVERTER MINI-SPLIT HEAT PUMP**

OUTDOOR SPECIFICATIONS

PERFORMANCE

Cooling Capacity (Btu/h)	22,000
EER(W/W)	3.45
SEER(BTUH/W)	19
Heating Capacity (Btu/h)	24,000
HSPF	10

Outdoor Fan Total Air Volume (CFM)	1,882
Ambient Temperature Operating Range	
Cooling	-4°F(-20°C) - 115°F(46°C)
Heating	-13°F(-25°C) - 75°F(24°C)

ELECTRICAL DATA

Power Supply (V/Hz/ϕ)	208-230/60/1
Minimum Circuit Ampacity (A)	18
Maximum Overcurrent Protection (A)	25
Outdoor Fan Motor RLA (A)	.4
Compressor RLA (A)	13
No. of Compressors	1

GENERAL DATA

Connection Ratio (%)	100%
Max. # of Indoor Units	1
Sound Data (dBA) - Cooling/Heating	57
Refrigerant type	R-410A
Factory refrigerant charge	3.97 lbs. 63.5 oz.

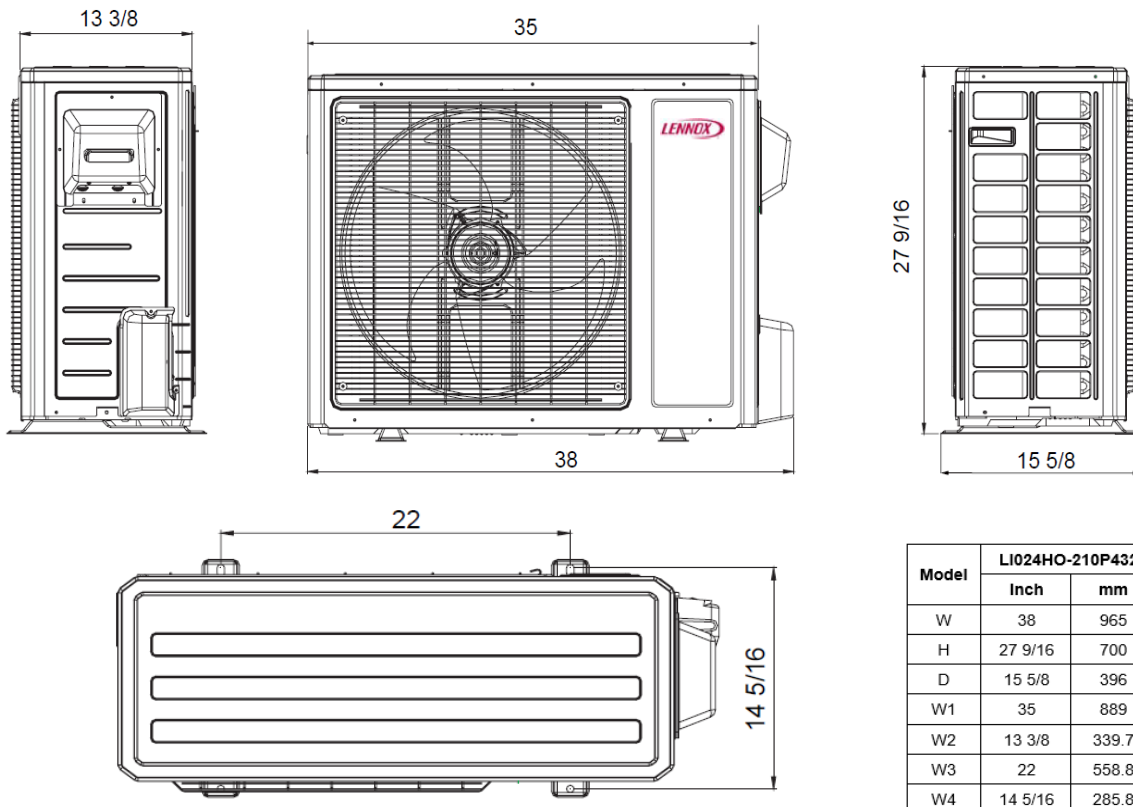
DIMENSIONS

Unit Dimensions (in)	Height	27-9/16
	Width	38
	Depth	15-5/8
Shipping Weight (lb)		131.2
Net Weight (lb)		121.3

NOTES

1. Cooling and Heating Capacity data is rated at the following conditions:
Cooling: 80°FDB / 67°FWB Indoor, 95°FDB/75°FWB Outdoor
Heating: 70°FDB / 60°FWB Indoor, 19.94°FDB/ 19.04°FWB Outdoor

OUTDOOR DIMENSIONAL DRAWINGS - INCHES (MM)



Model	LI024HO-210P432	
	Inch	mm
W	38	965
H	27 9/16	700
D	15 5/8	396
W1	35	889
W2	13 3/8	339.7
W3	22	558.8
W4	14 5/16	285.8

NOTE – Due to Lennox' ongoing commitment to quality, Specifications, Ratings, and Dimensions are subject to change without notice and without incurring liability. Improper installation, adjustment, alteration, service or maintenance can cause property damage or personal injury. Installation and service must be performed by a qualified installer and servicing agency



**SUBMITTAL DATA – WALL-MOUNTED
LI024HO-210P432 - LI024HI-210P432
SINGLE ZONE INVERTER MINI-SPLIT HEAT PUMP**

INDOOR SPECIFICATIONS

PERFORMANCE

Airflow (CFM)	Turbo	765
	High	677
	Medium	588
	Low	500
External Static Pressure (in. w.g.)		-
Sound Pressure (dBA)	Turbo	49
	High	45
	Medium	41
	Low	37

ELECTRICAL DATA

Power Supply (V/Hz/φ)	Supplied by ODU
Rated load amps (RLA)	.32
Power Output (W)	30

DIMENSIONS

Unit Dimensions (in)	Height	13
	Width	44-43/64
	Depth	9-23/32
Unit Net/Shipping Weight (lb)		36.4/44.1

WIRELESS REMOTE CONTROLLER SPECIFICATIO

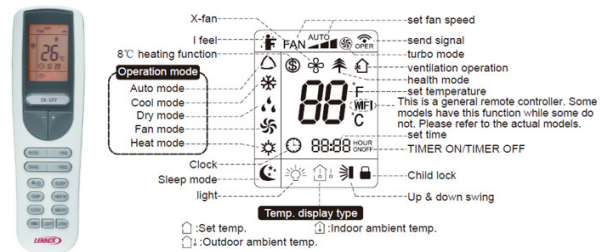
Y6334

Power Supply	2 AAA Batteries (Included)
--------------	-------------------------------

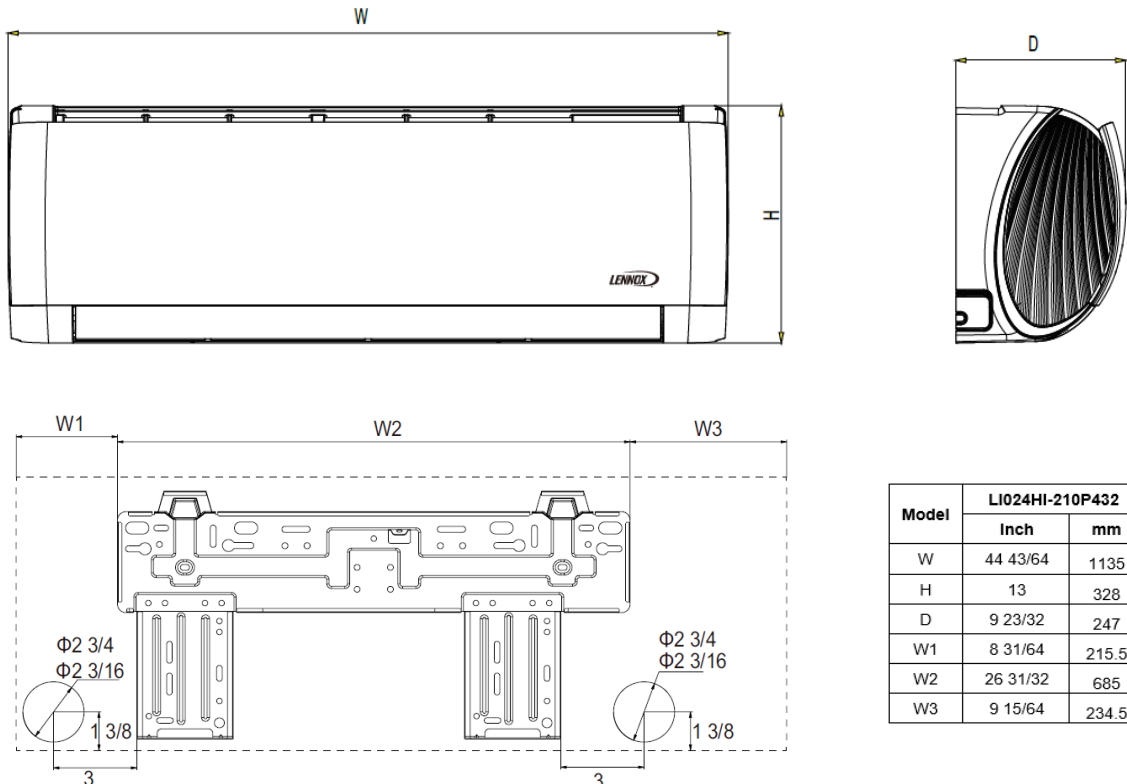
Setpoint Range	61 °F(16°C) - 86 °F(30°C)
----------------	---------------------------

Effective Receiving Range	26 ft.(8m)
---------------------------	------------

DISPLAY



INDOOR DIMENSIONAL DRAWINGS - INCHES (MM)



Model	LI024HI-210P432	
	Inch	mm
W	44 43/64	1135
H	13	328
D	9 23/32	247
W1	8 31/64	215.5
W2	26 31/32	685
W3	9 15/64	234.5

NOTE – Due to Lennox’ ongoing commitment to quality, Specifications, Ratings, and Dimensions are subject to change without notice and without incurring liability. Improper installation, adjustment, alteration, service or maintenance can cause property damage or personal injury. Installation and service must be performed by a qualified installer and servicing agency