



**SUBMITTAL DATA – WALL-MOUNTED
LI009CO-210P432 - LI009CI-210P432
SINGLE ZONE INVERTER MINI-SPLIT COOLING ONLY**

Job: _____
Location: _____
Schedule No.: _____
System Designation: _____

Engineer: _____
Architect: _____
Date: _____

FEATURES

Outdoor Unit: **LI009CO-210P432**
Outdoor Unit Cat Number: **18J02**

Indoor Unit: **LI009CI-210P432**
Indoor Unit Cat Number: **18J01**



- DC Inverter Compressor
- DC ODU Motor
- Golden Fin
- Electronic Expansion Valve
- Low Ambient Cooling
- Low Voltage Startup
- 3 Meter Copper Pipe Included

- Auto Restart
- Four Selectable Fan Speeds
- Hidden LED Display
- Wireless Remote Included
- Photocatalytic Filter Included
- I Feel Function

PIPING

Line Set and Elevation Guidelines	
Maximum Line Set Length ft. (m)	65.6 ft. (20 m)
Maximum Elevation - Outdoor Unit Below/Above Indoor Unit ft. (m)	40 ft. (12 m)
Liquid Line Set Diameter (in.)	1/4"
Gas Line Set Diameter (in.)	3/8"

PRODUCT WARRANTY

5 Year Limited Warranty*

OPTIONAL ACCESORIES

Wifi Module(Y9841, WSBTE05)

Programmable Wired Control(19F47,XK76)

Non Programmable Wired Control(19F49,XE71-44/G)



NOTE – Due to Lennox' ongoing commitment to quality, Specifications, Ratings, and Dimensions are subject to change without notice and without incurring liability. Improper installation, adjustment, alteration, service or maintenance can cause property damage or personal injury. Installation and service must be performed by a qualified installer and servicing agency



SUBMITTAL DATA – WALL-MOUNTED
LI009CO-210P432 - LI009CI-210P432
SINGLE ZONE INVERTER MINI-SPLIT COOLING ONLY

OUTDOOR SPECIFICATIONS

PERFORMANCE

Cooling Capacity (Btu/h)	9,000
EER(W/W)	3.75
SEER(BTUH/W)	21
Heating Capacity (Btu/h)	/
COP	/

Outdoor Fan Total Air Volume (CFM)	941
------------------------------------	-----

Ambient Temperature Operating Range	
Cooling	-4°F(-20°C) - 115°F(46°C)
Heating	/

ELECTRICAL DATA

Power Supply (V/Hz/ϕ)	208-230/60/1
Minimum Circuit Ampacity (A)	9
Maximum Overcurrent Protection (A)	15
Outdoor Fan Motor RLA (A)	.36
Compressor RLA (A)	4.6
No. of Compressors	1

GENERAL DATA

Connection Ratio (%)	100%
Max. # of Indoor Units	1
Sound Data (dBA) - Cooling/Heating	49
Refrigerant type	R-410A
Factory refrigerant charge	1.76 lbs. 28.2 oz.

DIMENSIONS

Unit Dimensions (in)	Height	21-1/4
	Width	30-9/16
	Depth	12-5/8

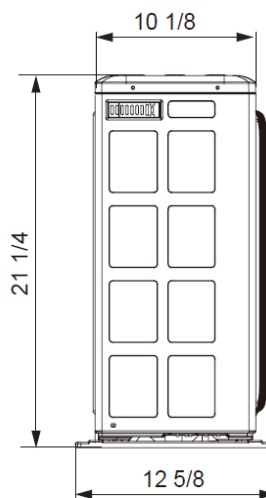
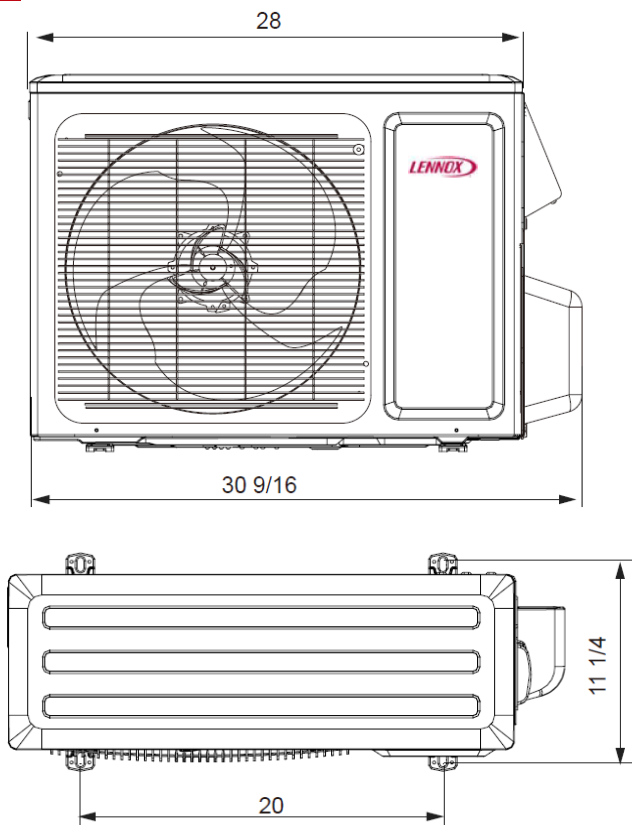
Shipping Weight (lb)	69.5
----------------------	------

Net Weight (lb)	63.9
-----------------	------

NOTES

1. Cooling and Heating Capacity data is rated at the following conditions:
 Cooling: 80°FDB / 67°F WB Indoor, 95°FDB/75°F WB Outdoor
 Heating: 70°FDB / 60°F WB Indoor, 19.94°FDB/ 19.04°F WB Outdoor

OUTDOOR DIMENSIONAL DRAWINGS - INCHES (MM)



Model	LI009CO-210P432	
	Inch	mm
W	30-9/16	782
H	21-1/4	540
D	12-5/8	320
W1	28	711
W2	10 1/8	257
W3	20	508
W4	11 1/4	286

NOTE – Due to Lennox’ ongoing commitment to quality, Specifications, Ratings, and Dimensions are subject to change without notice and without incurring liability. Improper installation, adjustment, alteration, service or maintenance can cause property damage or personal injury. Installation and service must be performed by a qualified installer and servicing agency



**SUBMITTAL DATA – WALL-MOUNTED
LI009CO-210P432 - LI009CI-210P432
SINGLE ZONE INVERTER MINI-SPLIT COOLING ONLY**

INDOOR SPECIFICATIONS

PERFORMANCE

Airflow (CFM)	Turbo	371
	High	341
	Medium	294
	Low	235
External Static Pressure (in. w.g.)		-
Sound Pressure (dBA)	Turbo	42
	High	39
	Medium	35
	Low	29

ELECTRICAL DATA

Power Supply (V/Hz/φ)	Supplied by ODU
Rated load amps (RLA)	.31
Power Output (W)	20

DIMENSIONS

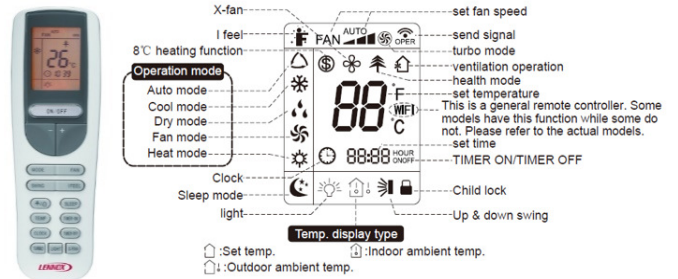
Unit Dimensions (in)	Height	11-1/2
	Width	35-13/64
	Depth	8-21/64
Unit Net/Shipping Weight (lb)		23.3/27.6

WIRELESS REMOTE CONTROLLER SPECIFICATIONS

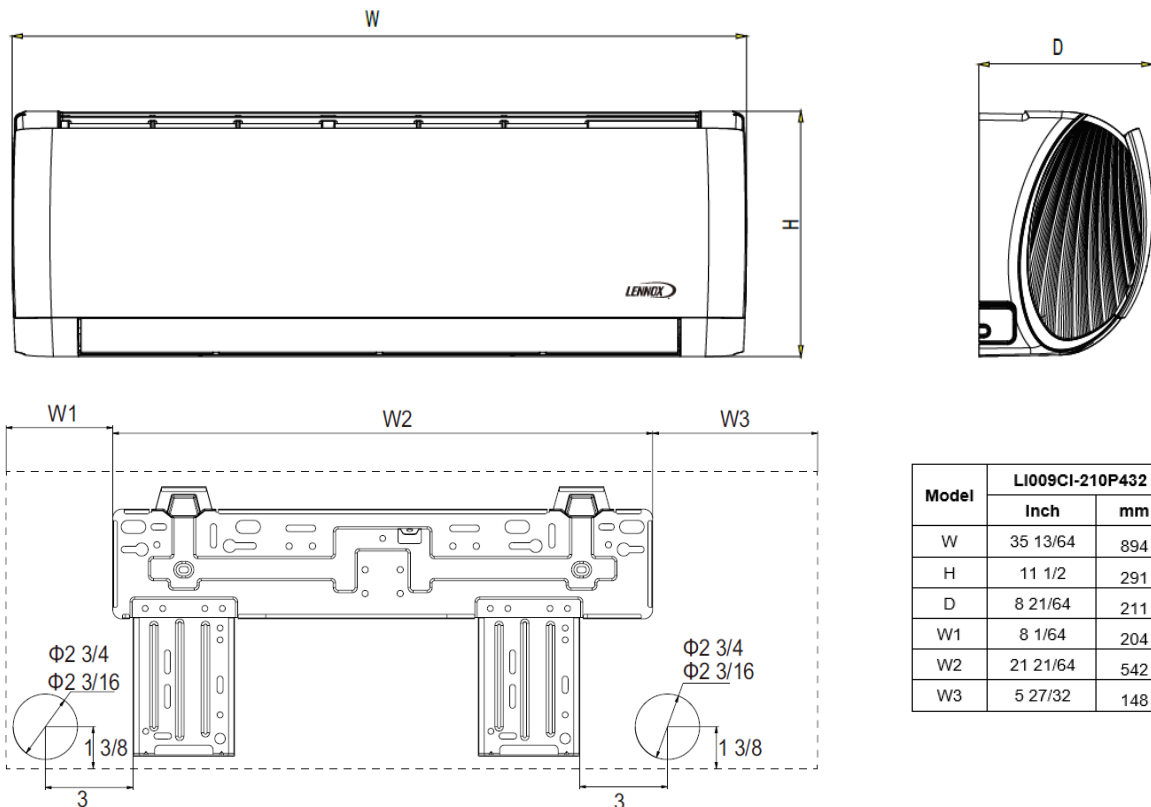
Y6334

Power Supply	2 AAA Batteries (Included)
Setpoint Range	61°F(16°C) - 86°F(30°C)
Effective Receiving Range	26 ft.(8m)

DISPLAY



INDOOR DIMENSIONAL DRAWINGS - INCHES (MM)



Model	LI009CI-210P432	
	Inch	mm
W	35 13/64	894
H	11 1/2	291
D	8 21/64	211
W1	8 1/64	204
W2	21 21/64	542
W3	5 27/32	148

NOTE – Due to Lennox' ongoing commitment to quality, Specifications, Ratings, and Dimensions are subject to change without notice and without incurring liability. Improper installation, adjustment, alteration, service or maintenance can cause property damage or personal injury. Installation and service must be performed by a qualified installer and servicing agency