



**SUBMITTAL DATA – WALL-MOUNTED
LI018HO-380P432 - LI018HI-380P432
SINGLE ZONE MINI-SPLIT HEAT PUMP**

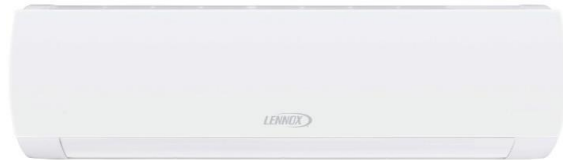
Job: _____
Location: _____
Schedule No.: _____
System Designation: _____

Engineer: _____
Architect: _____
Date: _____

FEATURES

**Outdoor Unit: LI018HO-380P432
Outdoor Unit Cat Number: 18B54**

**Indoor Unit: LI018HI-380P432
Indoor Unit Cat Number: 18B53**



- Golden Fin
- Electronic Expansion Valve
- 3 Meter Copper Pipe Included
- Variable Speed Two-stage Compressor
- Low Voltage Startup
- Low Ambient Cooling

- Auto Restart
- Seven Selectable Fan Speeds
- Hidden LED Display
- Wireless Remote Included
- Four Way Airflow
- Photocatalytic Filter Included

PIPING

Line Set and Elevation Guidelines	
Maximum Line Set Length ft. (m)	131.2 ft. (40 m)
Maximum Elevation - Outdoor Unit Below/Above Indoor Unit ft. (m)	65.6 ft. (20 m)
Liquid Line Set Diameter (in.)	1/4"
Gas Line Set Diameter (in.)	5/8"

PRODUCT WARRANTY

5 Year Limited Warranty*

OPTIONAL ACCESORIES

- Wifi Module(Y9840, WSBTC04)
- Programmable Wired Control(19F47,XK76)
- Non Programmable Wired Control(19F49,XE71-44/G)



NOTE – Due to Lennox' ongoing commitment to quality, Specifications, Ratings, and Dimensions are subject to change without notice and without incurring liability. Improper installation, adjustment, alteration, service or maintenance can cause property damage or personal injury. Installation and service must be performed by a qualified installer and servicing agency



**SUBMITTAL DATA – WALL-MOUNTED
LI018HO-380P432 - LI018HI-380P432
SINGLE ZONE MINI-SPLIT HEAT PUMP**

OUTDOOR SPECIFICATIONS

PERFORMANCE	
Cooling Capacity (Btu/h)	18,000
EER(W/W)	3.97
SEER(BTUH/W)	24.50
Heating Capacity (Btu/h)	18,000
COP	3.52
Outdoor Fan Total Air Volume (CFM)	2352
Ambient Temperature Operating Range	
Cooling	0°F(-18°C) - 129°F(54°C)
Heating	-22°F(-30°C) - 75°F(24°C)
ELECTRICAL DATA	
Power Supply (V/Hz/ϕ)	208-230/60/1
Minimum Circuit Ampacity (A)	22
Maximum Overcurrent Protection (A)	30
Outdoor Fan Motor RLA (A)	0.65
Compressor RLA (A)	15.5
No. of Compressors	1

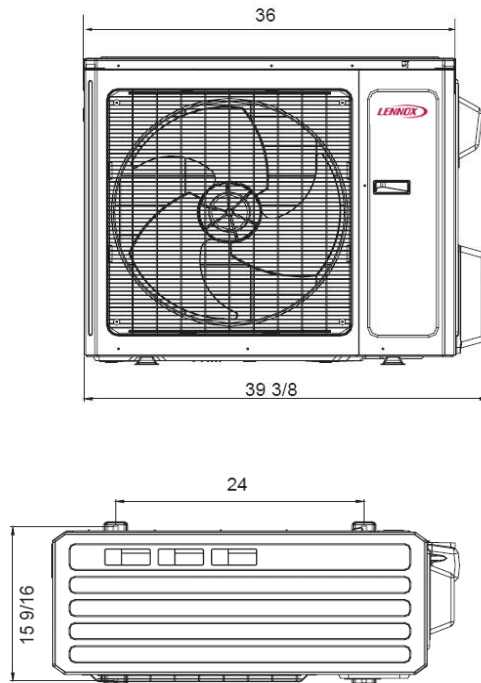
GENERAL DATA	
Connection Ratio (%)	100%
Max. # of Indoor Units	1
Sound Data (dBA) - Cooling/Heating	59
Refrigerant type	R-410A
Factory refrigerant charge	4.4 lbs. 70.6 oz.

DIMENSIONS		
Unit Dimensions (in)	Height	31.1
	Width	38.6
	Depth	16.8
Shipping Weight (lb)	152.1	
Net Weight (lb)	141.1	

NOTES

1. Cooling and Heating Capacity data is rated at the following conditions:
Cooling: 80°FDB / 67°FWB Indoor, 95°FDB/75°FWB Outdoor
Heating: 70°FDB / 60°FWB Indoor, 19.94°FDB/ 19.04°FWB Outdoor

OUTDOOR DIMENSIONAL DRAWINGS - INCHES (MM)



Model	LI018HO-380P432	
	Inch	mm
W	38.58	980
H	31.1	790
D	16.81	427

NOTE – Due to Lennox’ ongoing commitment to quality, Specifications, Ratings, and Dimensions are subject to change without notice and without incurring liability. Improper installation, adjustment, alteration, service or maintenance can cause property damage or personal injury. Installation and service must be performed by a qualified installer and servicing agency



**SUBMITTAL DATA – WALL-MOUNTED
LI018HO-380P432 - LI018HI-380P432
SINGLE ZONE MINI-SPLIT HEAT PUMP**

INDOOR SPECIFICATIONS

PERFORMANCE

Airflow (CFM)	Turbo	736
	High	618
	Medium	500
	Low	353
External Static Pressure (in. w.g.)		-
Sound Pressure (dBA)	Turbo	51
	High	45
	Medium	39
	Low	34

ELECTRICAL DATA

Power Supply (V/Hz/ϕ)	208-230/60/1
Rated load amps (RLA)	0.24
Power Output (W)	60

DIMENSIONS

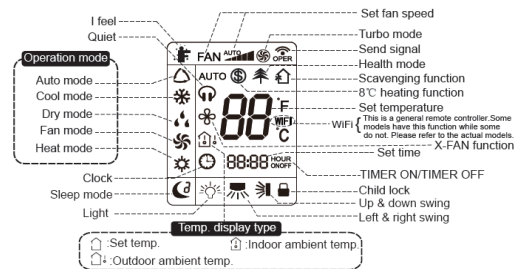
Unit Dimensions (in)	Height	12.3
	Width	44.2
	Depth	9.7
Unit Net/Shipping Weight (lb)		36.4/44.1

WIRELESS REMOTE CONTROLLER SPECIFICATIONS

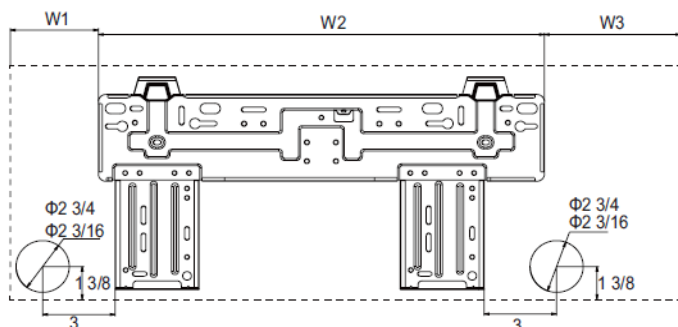
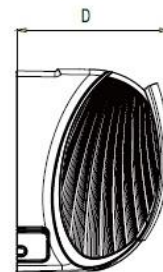
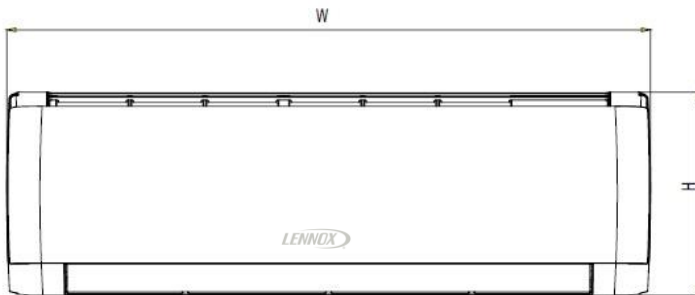
22J68

Power Supply	2 AAA Batteries (Included)
Setpoint Range	61°F(16°C) - 86°F(30°C)
Effective Receiving Range	26 ft.(8m)

DISPLAY



INDOOR DIMENSIONAL DRAWINGS - INCHES (MM)



Model	LI018HI-380P432	
	Inch	mm
W	44.17	1122
H	12.95	329
D	9.7	247

NOTE – Due to Lennox' ongoing commitment to quality, Specifications, Ratings, and Dimensions are subject to change without notice and without incurring liability. Improper installation, adjustment, alteration, service or maintenance can cause property damage or personal injury. Installation and service must be performed by a qualified installer and servicing agency