



**SUBMITTAL DATA – WALL-MOUNTED  
LI009HO-380P432 - LI009HI-380P432  
SINGLE ZONE MINI-SPLIT HEAT PUMP**

Job: \_\_\_\_\_  
Location: \_\_\_\_\_  
Schedule No.: \_\_\_\_\_  
System Designation: \_\_\_\_\_

Engineer: \_\_\_\_\_  
Architect: \_\_\_\_\_  
Date: \_\_\_\_\_

**FEATURES**

**Outdoor Unit: LI009HO-380P432  
Outdoor Unit Cat Number: 18B50**

**Indoor Unit: LI009HI-380P432  
Indoor Unit Cat Number: 18B49**



- Golden Fin
- Electronic Expansion Valve
- 3 Meter Copper Pipe Included
- Variable Speed Two-stage Compressor
- Low Voltage Startup
- Low Ambient Cooling



- Auto Restart
- Seven Selectable Fan Speeds
- Hidden LED Display
- Wireless Remote Included
- Four Way Airflow
- Photocatalytic Filter Included

**PIPING**

**Line Set and Elevation Guidelines**

Maximum Line Set Length ft. (m)	49 ft. (15m)
Maximum Elevation - Outdoor Unit Below/Above Indoor Unit ft. (m)	33 ft. (10 m)
Liquid Line Set Diameter (in.)	1/4"
Gas Line Set Diameter (in.)	1/2"

**PRODUCT WARRANTY**

5 Year Limited Warranty\*

**OPTIONAL ACCESORIES**

- Wifi Module(Y9841, WSBTE05)
- Programmable Wired Control(19F47,XK76)
- Non Programmable Wired Control(19F49,XE71-44/G)



**NOTE** – Due to Lennox' ongoing commitment to quality, Specifications, Ratings, and Dimensions are subject to change without notice and without incurring liability. Improper installation, adjustment, alteration, service or maintenance can cause property damage or personal injury. Installation and service must be performed by a qualified installer and servicing agency



**SUBMITTAL DATA – WALL-MOUNTED  
LI009HO-380P432 - LI009HI-380P432  
SINGLE ZONE MINI-SPLIT HEAT PUMP**

**OUTDOOR SPECIFICATIONS**

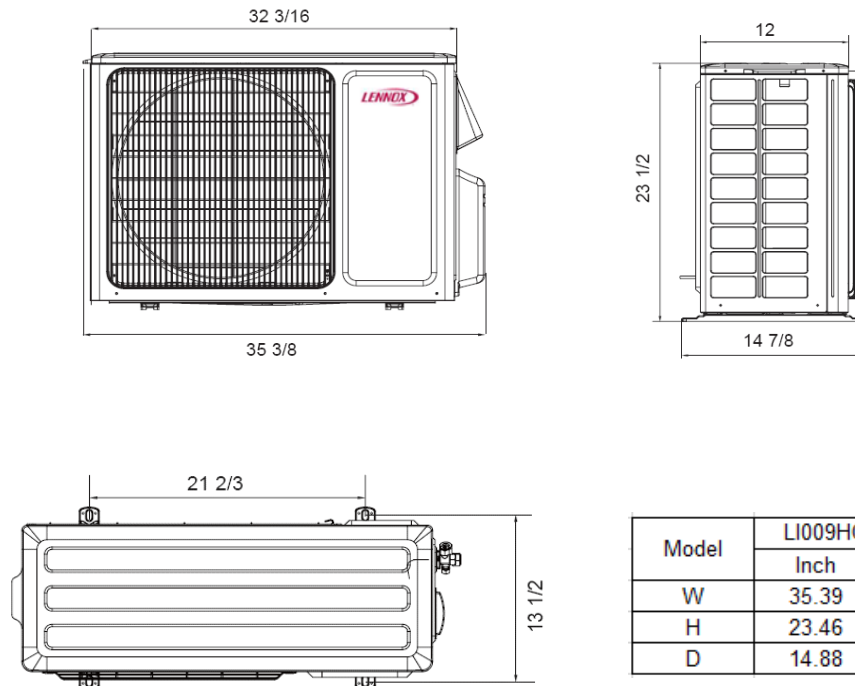
PERFORMANCE	
Cooling Capacity (Btu/h)	9,000
EER(W/W)	4.89
SEER(BTUH/W)	38
Heating Capacity (Btu/h)	9,000
COP	4.32
Outdoor Fan Total Air Volume (CFM) 1411.2	
Ambient Temperature Operating Range	
Cooling	0°F(-18°C) - 129°F(54°C)
Heating	-22°F(-30°C) - 75°F(24°C)
ELECTRICAL DATA	
Power Supply (V/Hz/ϕ)	208-230/60/1
Minimum Circuit Ampacity (A)	9
Maximum Overcurrent Protection (A)	15
Outdoor Fan Motor RLA (A)	0.28
Compressor RLA (A)	6.9
No. of Compressors	1

GENERAL DATA	
Connection Ratio (%)	100%
Max. # of Indoor Units	1
Sound Data (dBA) - Cooling/Heating	57
Refrigerant type	R-410A
Factory refrigerant charge	3.5 lbs. 55.4 oz.

DIMENSIONS		
Unit Dimensions (in)	Height	23.5
	Width	35.4
	Depth	14.9
Shipping Weight (lb)	105.8	
Net Weight (lb)	99.2	

**NOTES**  
1. Cooling and Heating Capacity data is rated at the following conditions:  
Cooling: 80°FDB / 67°FWB Indoor, 95°FDB/75°FWB Outdoor  
Heating: 70°FDB / 60°FWB Indoor, 19.94°FDB/ 19.04°FWB Outdoor

**OUTDOOR DIMENSIONAL DRAWINGS - INCHES (MM)**



Model	LI009HO-380P432	
	Inch	mm
W	35.39	899
H	23.46	596
D	14.88	378

**NOTE** – Due to Lennox’ ongoing commitment to quality, Specifications, Ratings, and Dimensions are subject to change without notice and without incurring liability. Improper installation, adjustment, alteration, service or maintenance can cause property damage or personal injury. Installation and service must be performed by a qualified installer and servicing agency



**SUBMITTAL DATA – WALL-MOUNTED  
LI009HO-380P432 - LI009HI-380P432  
SINGLE ZONE MINI-SPLIT HEAT PUMP**

**INDOOR SPECIFICATIONS**

**PERFORMANCE**

Airflow (CFM)	Turbo	424
	High	353
	Medium	294
	Low	206
External Static Pressure (in. w.g.)		-
Sound Pressure (dBA)	Turbo	46
	High	38
	Medium	33
	Low	19

**ELECTRICAL DATA**

Power Supply (V/Hz/ϕ)	208-230/60/1
Rated load amps (RLA)	0.09
Power Output (W)	60

**DIMENSIONS**

Unit Dimensions (in)	Height	12.1
	Width	39.9
	Depth	8.7
Unit Net/Shipping Weight (lb)		29.8/36.4

**WIRELESS REMOTE CONTROLLER SPECIFICATIONS**

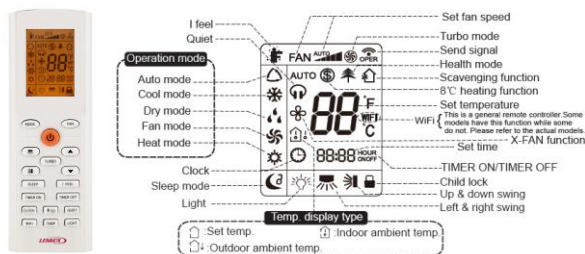
**22J68**

Power Supply	2 AAA Batteries (Included)
--------------	-------------------------------

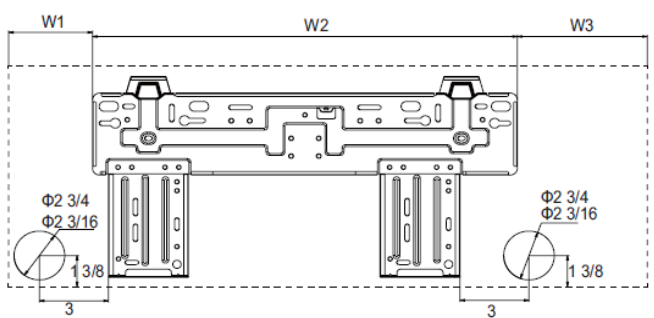
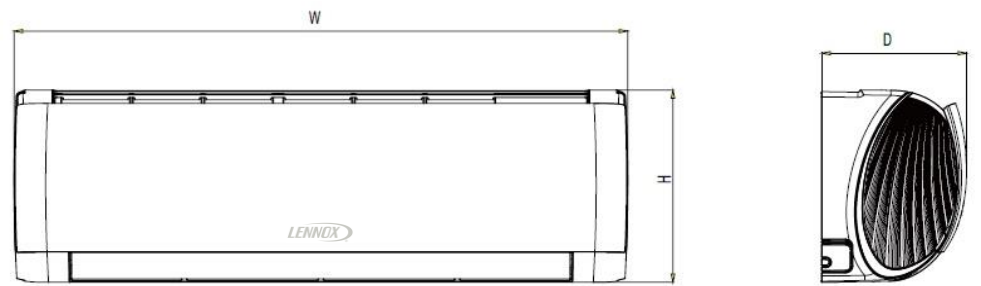
Setpoint Range	61°F(16°C) - 86°F(30°C)
----------------	-------------------------

Effective Receiving Range	26 ft.(8m)
---------------------------	------------

**DISPLAY**



**INDOOR DIMENSIONAL DRAWINGS - INCHES (MM)**



Model	LI009HI-380P432	
	Inch	mm
W	39.88	1013
H	12.09	307
D	8.7	221

**NOTE** – Due to Lennox' ongoing commitment to quality, Specifications, Ratings, and Dimensions are subject to change without notice and without incurring liability. Improper installation, adjustment, alteration, service or maintenance can cause property damage or personal injury. Installation and service must be performed by a qualified installer and servicing agency