



**SUBMITTAL DATA - INDOOR UNIT**  
**VE4C030C432P**  
**VRF STD 4-WAY CASSETTE TYPE EVAPORATOR**  
**208-230/1/60**

Job Name: \_\_\_\_\_  
 Location: \_\_\_\_\_  
 Schedule No.: \_\_\_\_\_  
 System Designation: \_\_\_\_\_

Engineer: \_\_\_\_\_  
 Architect: \_\_\_\_\_  
 Date: \_\_\_\_\_  
 For: \_\_\_ Reference \_\_\_ Approval \_\_\_ Review \_\_\_ Construction

**FEATURES**

- Auto Addressing installation
- Auto Restart
- Replaceable Front Panel
- Integrated Condensate Pump
- Built-in Electronic Expansion Valve
- LED Display
- Washable Filter
- Water Overflow Protection
- Anti-Freezing Protection

**PRODUCT WARRANTY**

All covered components - one year limited warranty

**SPECIFICATIONS**

**PERFORMANCE**

Cooling Capacity* (Btu/h)		30,000
Heating Capacity* (Btu/h)		34,000
Airflow (CFM)	High	885
	Medium	795
	Low	650

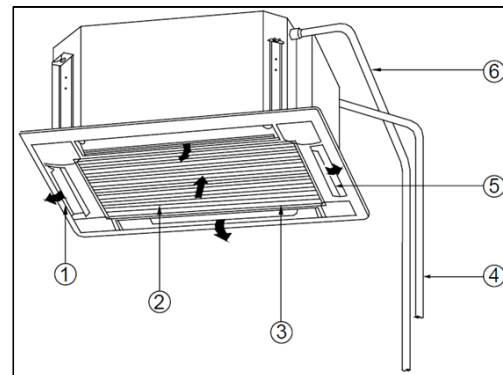
Sound Pressure Level (dBA)                      H / M / L    40/38/35

**ELECTRICAL DATA**

Power Supply (V / Ph / Hz)		208-230/1/60
MOP (A)		15
Circuit Breaker (A)		6
MCA (A)		1
Rated Current (A)	Cooling	0.8
	Heating	0.8

**DIMENSIONS**

Unit Dimensions (in)	Height	12 5/8
	Width	33
	Depth	33
Panel Unit Dimensions (in)	Height	2 1/2
	Width	37 3/8
	Depth	37 3/8
Liquid Pipe Connection (in)		3/8
Gas Pipe Connection (in)		5/8
Shipping Weight (lb)		88.2
Net Weight (lb)		71.7
Panel Shipping Weight (lb)		24.3
Panel Net Weight (lb)		15



1. Air Outlet
2. Air Filter
3. Grill
4. Refrigerant Piping
5. Louvers
6. Drain Pipe

**NOTES:**

\*Cooling and Heating Capacity data is rated at the following conditions:

Cooling: 80 °F DB / 67 °F WB Indoor, 95 °F DB Outdoor  
 Heating: 70 °F DB Indoor, 47 °F DB

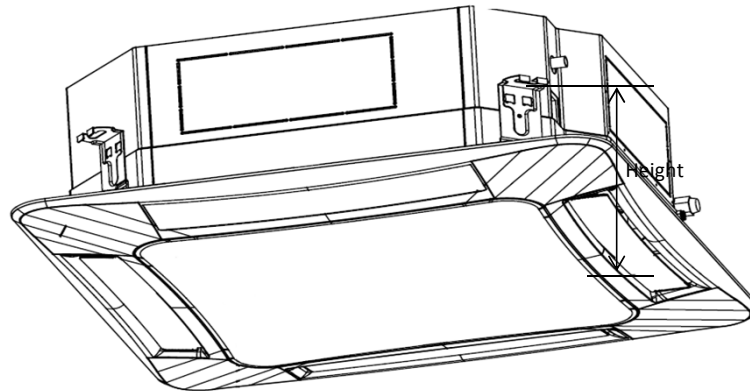
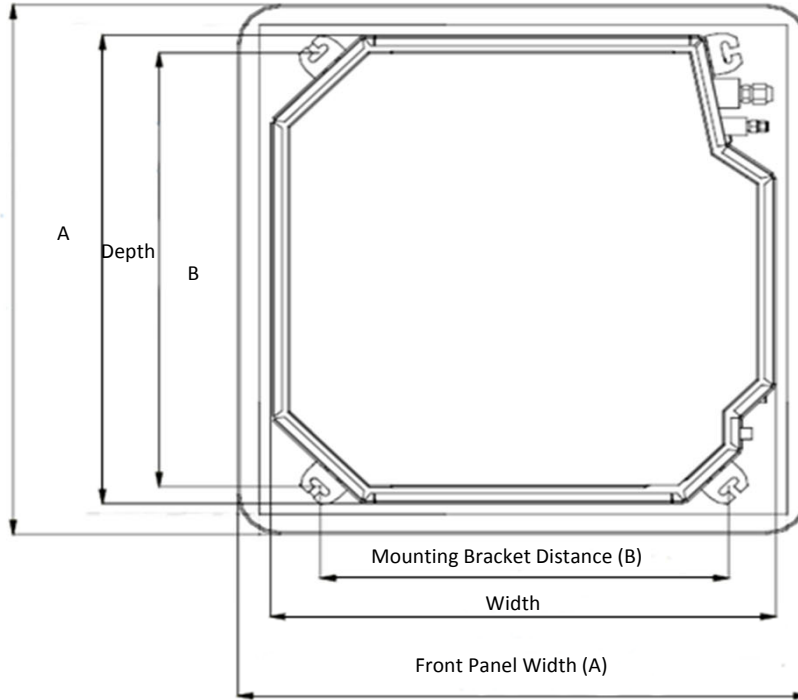


NOTE – Due to Lennox' ongoing commitment to quality, Specifications, Ratings and Dimensions subject to change without notice and without incurring liability. Improper installation, adjustment, alteration, service or maintenance can cause property damage or personal injury. Installation and service must be performed by a qualified installer and servicing agency. ©2019 Lennox Industries Inc.



**SUBMITTAL DATA - INDOOR UNIT**  
**VE4C030C432P**  
**VRF STD 4-WAY CASSETTE TYPE EVAPORATOR**  
**208-230/1/60**

**DIMENSIONAL DRAWINGS**



	mm	in
<b>Width</b>	840	33.07
<b>Depth</b>	840	33.07
<b>Height</b>	240	9.45
<b>A</b>	950	37.40
<b>B</b>	680	26.77

NOTE – Due to Lennox' ongoing commitment to quality, Specifications, Ratings and Dimensions subject to change without notice and without incurring liability. Improper installation, adjustment, alteration, service or maintenance can cause property damage or personal injury. Installation and service must be performed by a qualified installer and servicing agency. ©2014 Lennox Industries Inc.