



SUBMITTAL DATA - INDOOR UNIT
VE8K024C432p
VRF STD 8-WAY CASSETTE TYPE EVAPORATOR
(360° Discharge)

Job Name: _____
Location: _____
Schedule No.: _____
System Designation: _____

Engineer: _____
Architect: _____
Date: _____
For: ___ Reference ___ Approval ___ Review ___ Construction

FEATURES

- Auto Addressing installation
- Auto Restart
- Replaceable Front Panel
- Integrated Condensate Pump
- Built-in Electronic Expansion Valve
- LED Display
- Washable Filter
- Water Overflow Protection
- Anti-Freezing Protection

PRODUCT WARRANTY

All covered components - Five year limited warranty

SPECIFICATIONS

PERFORMANCE

Cooling Capacity* (Btu/h)		24,000
Heating Capacity* (Btu/h)		27,000
Airflow (CFM)	High	675
	Medium	560
	Low	500

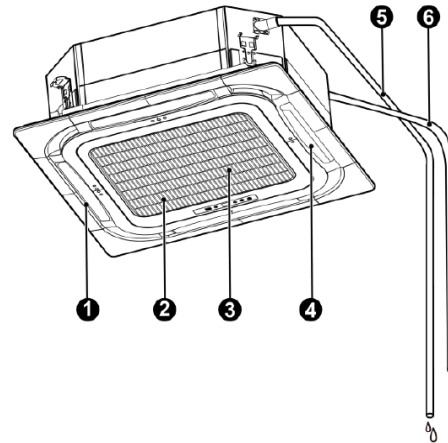
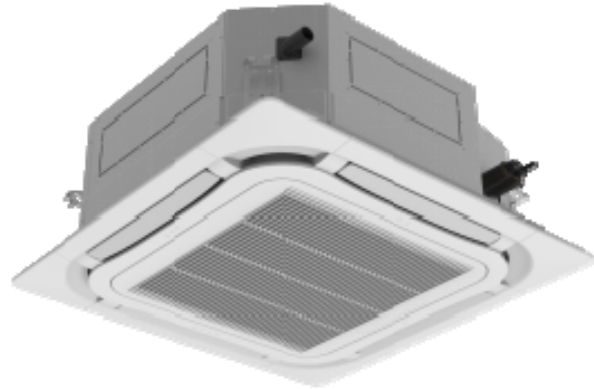
Sound Pressure Level (dBA) H / M / L 38/36/34

ELECTRICAL DATA

Power Supply (V / Hz / Ph)		208-230/60/1
MOCP (A)		15
MCA (A)		1
Rated Current (A)	Cooling	0.4
	Heating	0.4

DIMENSIONS

Unit Dimensions (in)	Height	9 1/2
	Width	33 1/8
	Depth	33 1/8
Liquid Pipe Connection (in)		3/8
Gas Pipe Connection (in)		5/8
Shipping Weight (lb)		82
Net Weight (lb)		64



1. Air Outlet
2. Air Filter
3. Grill
4. Louvers
5. Pipe fittings
6. Drain Pipe

NOTES:

*Cooling and Heating Capacity data is rated at the following conditions:

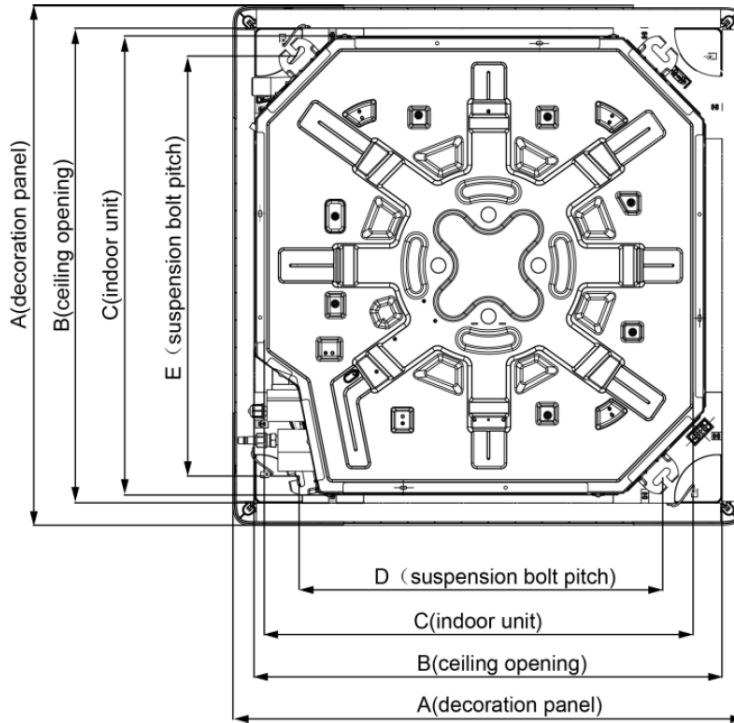
Cooling: 80 °F DB / 67 °F WB Indoor, 95 °F DB Outdoor
 Heating: 70 °F DB Indoor, 47 °F DB

NOTE – Due to Lennox' ongoing commitment to quality, Specifications, Ratings and Dimensions subject to change without notice and without incurring liability. Improper installation, adjustment, alteration, service or maintenance can cause property damage or personal injury. Installation and service must be performed by a qualified installer and servicing agency. ©2021 Lennox Industries Inc.



SUBMITTAL DATA - INDOOR UNIT
VE8K024C432p
VRF STD 8-WAY CASSETTE TYPE EVAPORATOR

DIMENSIONAL DRAWINGS



	mm	in
A	950	37.40
B	890	35.04
C	840	33.07
D	680	26.77
E	780	30.71

NOTE – Due to Lennox' ongoing commitment to quality, Specifications, Ratings and Dimensions subject to change without notice and without incurring liability. Improper installation, adjustment, alteration, service or maintenance can cause property damage or personal injury. Installation and service must be performed by a qualified installer and servicing agency. ©2021 Lennox Industries Inc.