



SUBMITTAL DATA - INDOOR UNIT
VEAH048N432P
VRF AIR HANDLER TYPE EVAPORATOR

Job Name: _____
Location: _____
Schedule No.: _____
System Designation: _____

Engineer: _____
Architect: _____
Date: _____
For: ___ Reference ___ Approval ___ Review ___ Construction

FEATURES

- Auto Addressing installation
- Auto Restart
- Horizontal or Vertical Installation
- Built-in Electronic Expansion Valve
- Optional Ambient Temp Sensor
- Washable Filter
- Anti-Freezing Protection

PRODUCT WARRANTY

All covered components - Five year limited warranty

SPECIFICATIONS

PERFORMANCE

Cooling Capacity* (Btu/h)		47,768
Heating Capacity* (Btu/h)		51,180
Airflow (CFM)	High	1412
	Medium	--
	Low	--

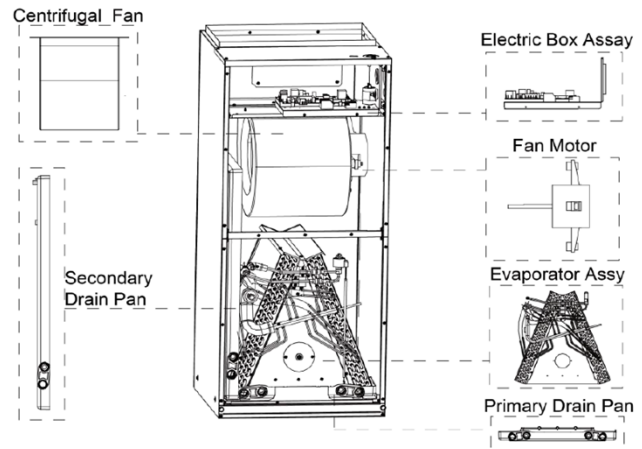
Sound Pressure Level (dBA)	H / M / L	55/-/-
----------------------------	-----------	--------

ELECTRICAL DATA

Power Supply (V / Hz / Ph)		208-230/60/1
MOP (A)		6
Rated Current (A)	Cooling	2.5
	Heating	2.5

DIMENSIONS

Unit Dimensions (in)	Height	48 1/4
	Width	24 7/8
	Depth	21 1/4
Liquid Pipe Connection (in)		3/8
Gas Pipe Connection (in)		5/8
Shipping Weight (lb)		187.42
Net Weight (lb)		172



NOTES:

*Cooling and Heating Capacity data is rated at the following conditions:

Cooling: 80 °F DB / 67 °F WB Indoor, 95 °F DB Outdoor

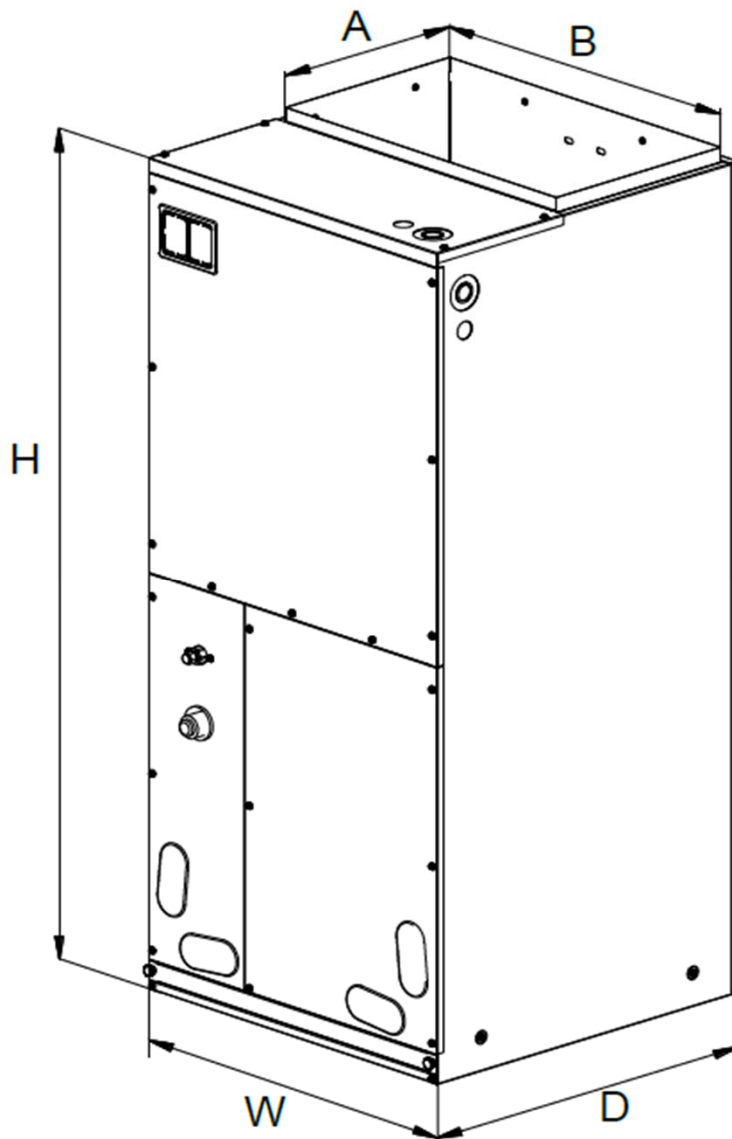
Heating: 70 °F DB Indoor, 47 °F DB

NOTE – Due to Lennox' ongoing commitment to quality, Specifications, Ratings and Dimensions subject to change without notice and without incurring liability. Improper installation, adjustment, alteration, service or maintenance can cause property damage or personal injury. Installation and service must be performed by a qualified installer and servicing agency. ©2017 Lennox Industries Inc.



SUBMITTAL DATA - INDOOR UNIT
VEAH048N432P
VRF AIR HANDLER TYPE EVAPORATOR

DIMENSIONAL DRAWINGS



	mm	in
Height	1224	48 1/4
Width	630	24 7/8
Depth	540	21 1/4
A	295	11 5/8
B	508	20

NOTE – Due to Lennox' ongoing commitment to quality, Specifications, Ratings and Dimensions subject to change without notice and without incurring liability. Improper installation, adjustment, alteration, service or maintenance can cause property damage or personal injury. Installation and service must be performed by a qualified installer and servicing agency. ©2017 Lennox Industries Inc.