



SUBMITTAL DATA - CONTROLS
VECK192N432U
VRF INDOOR UNIT CONVERSION KIT

Job Name: _____
Location: _____
Schedule No.: _____
System Designation: _____

Engineer: _____
Architect: _____
Date: _____
For: ___ Reference ___ Approval ___ Review ___ Construction

VRF INDOOR UNIT CONVERSION KIT

FEATURES AND FUNCTIONS

- Use this system in combination with a field supplied air handling unit
- This equipment is not designed for year-round cooling applications with low indoor humidity conditions, such as Electronic Data Processing rooms.
- Piping brazing connections
- Must be connected to the VRF Individual Wired Control VEWCL1B (Included)

SPECIFICATIONS

CAPACITY PERFORMANCE

Default Setting (Btu/h)	192,000
(*) Adjustable Cooling Capacity (Btu/h)	171,000 - 286,000
(*) Adjustable Heating Capacity (Btu/h)	192,000 - 322,500

ELECTRICAL DATA

Power Supply	208-230/220-240/1/50-60
MOCB (A)	6
Fuse Current (A)	Cooling 3.15

DIMENSIONS

Unit Dimensions (in)	CONTROL BOX
	Height 13 1/7 Width 11 1/6 Depth 4 3/8
	EXV BOX
	Height 9 2/3 Width 19 2/3 Depth 4 5/7

EXV Liquid Pipe Connection (Brazing) (in)	5/8
AHU Liquid Pipe Connection (in) (+)	1/2" - 5/8" - 5/8"
AHU Gas Pipe Connection (in) (+)	1-1/8" - 1-1/8" - 1-1/8"
Shipping Weight (lb)	34.18
Net Weight (lb)	26.02

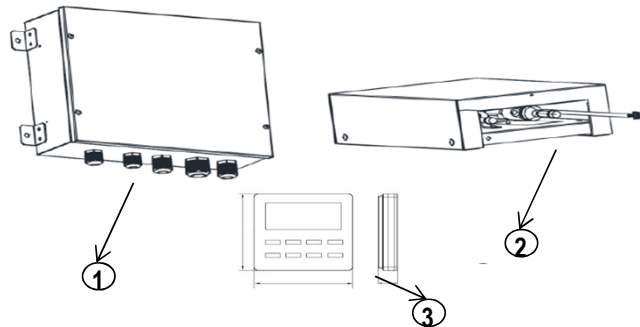
(*) There are several options on adjustable capacity. Check manual for details

NOTE – Due to Lennox' ongoing commitment to quality, Specifications, Ratings and Dimensions subject to change without notice and without incurring liability. Improper installation, adjustment, alteration, service or maintenance can cause property damage or personal injury. Installation and service must be performed by a qualified installer and servicing agency. ©2019 Lennox Industries Inc.

CONTROL BOX



EXV BOX



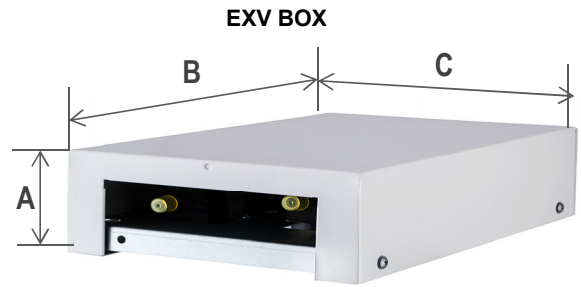
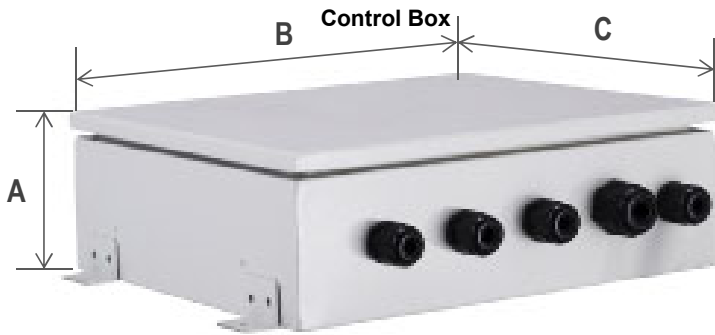
1	Control Box
2	Expansion Valve kit Box
3	Individual Wired Control VEWCL1B

(+) at the cooling capacity options



SUBMITTAL DATA - CONTROLS
VECK192N432U
VRF INDOOR UNIT CONVERSION KIT

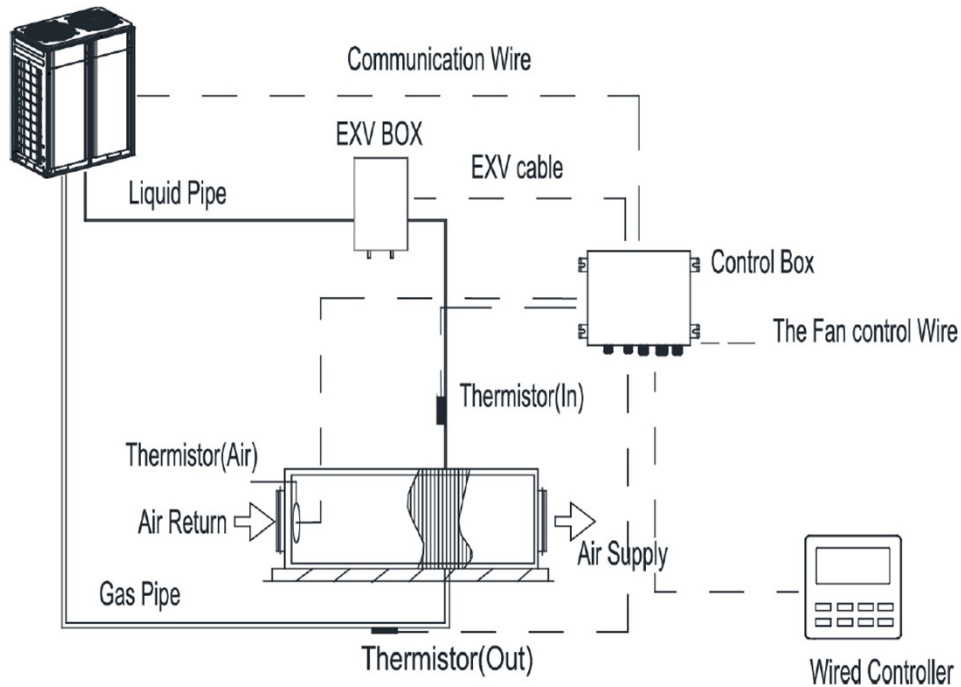
DIMENSIONAL DRAWINGS



	Dimension (inch)		
	Wired Control	Control Box	EXV Box
A	4 1/2	13 1/7	10
B	4 1/2	11 1/6	19 2/3
C	3/4	4 3/8	4 5/7



SYSTEM CONNECTION DIAGRAM



NOTE – Due to Lennox' ongoing commitment to quality, Specifications, Ratings and Dimensions subject to change without notice and without incurring liability. Improper installation, adjustment, alteration, service or maintenance can cause property damage or personal injury. Installation and service must be performed by a qualified installer and servicing agency. ©2019 Lennox Industries Inc.