



SUBMITTAL DATA - INDOOR UNIT
VEUM012C432P
VRF UNIVERSAL MOUNTED TYPE EVAPORATOR
208-230/60/1

Job Name: _____
 Location: _____
 Schedule No.: _____
 System Designation: _____

Engineer: _____
 Architect: _____
 Date: _____
 For: ___ Reference ___ Approval ___ Review ___ Construction

FEATURES

- Auto Addressing installation
- Auto Restart
- Auto Swing Louvers
- Built-in Electronic Expansion Valve
- LED Display
- Washable Filter
- Anti-Freezing Protection
- Enameled finish

PRODUCT WARRANTY

All covered components - one year limited warranty

SPECIFICATIONS

PERFORMANCE

Cooling Capacity* (Btu/h)		12,000
Heating Capacity* (Btu/h)		13,500
Airflow (CFM)	High	380
	Medium	345
	Low	305

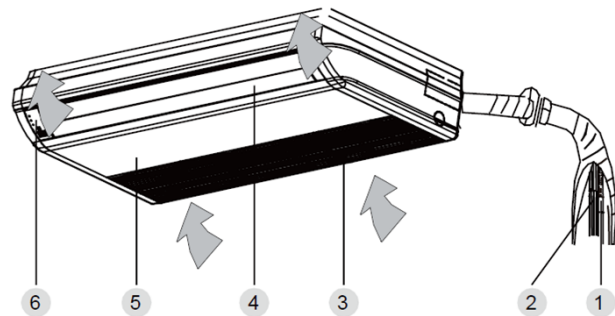
Sound Pressure Level (dBA)	H / M / L	36/34/32
----------------------------	-----------	----------

ELECTRICAL DATA

Power Supply (V / Ph / Hz)		208-230/60/1
MOCP (A)		15
Circuit Breaker (A)		15
MCA (A)		1
Rated Current (A)	Cooling	0.5
	Heating	0.5

DIMENSIONS

Unit Dimensions (in)	Height	27 1/2
	Width	47 1/4
	Depth	8 7/8
Liquid Pipe Connection (in)		1/4
Gas Pipe Connection (in)		1/2
Drain Pipe Connection (in)		5/8
Shipping Weight (lb)		107.8
Net Weight (lb)		88



1. Drain Hose
2. Pipe Connection
3. Air Inlet Grill (Air Filter inside)
4. Swing Louvers
5. Front Panel



NOTES:

*Cooling and Heating Capacity data is rated at the following conditions:

Cooling: 80 °F DB / 67 °F WB Indoor, 95 °F DB Outdoor

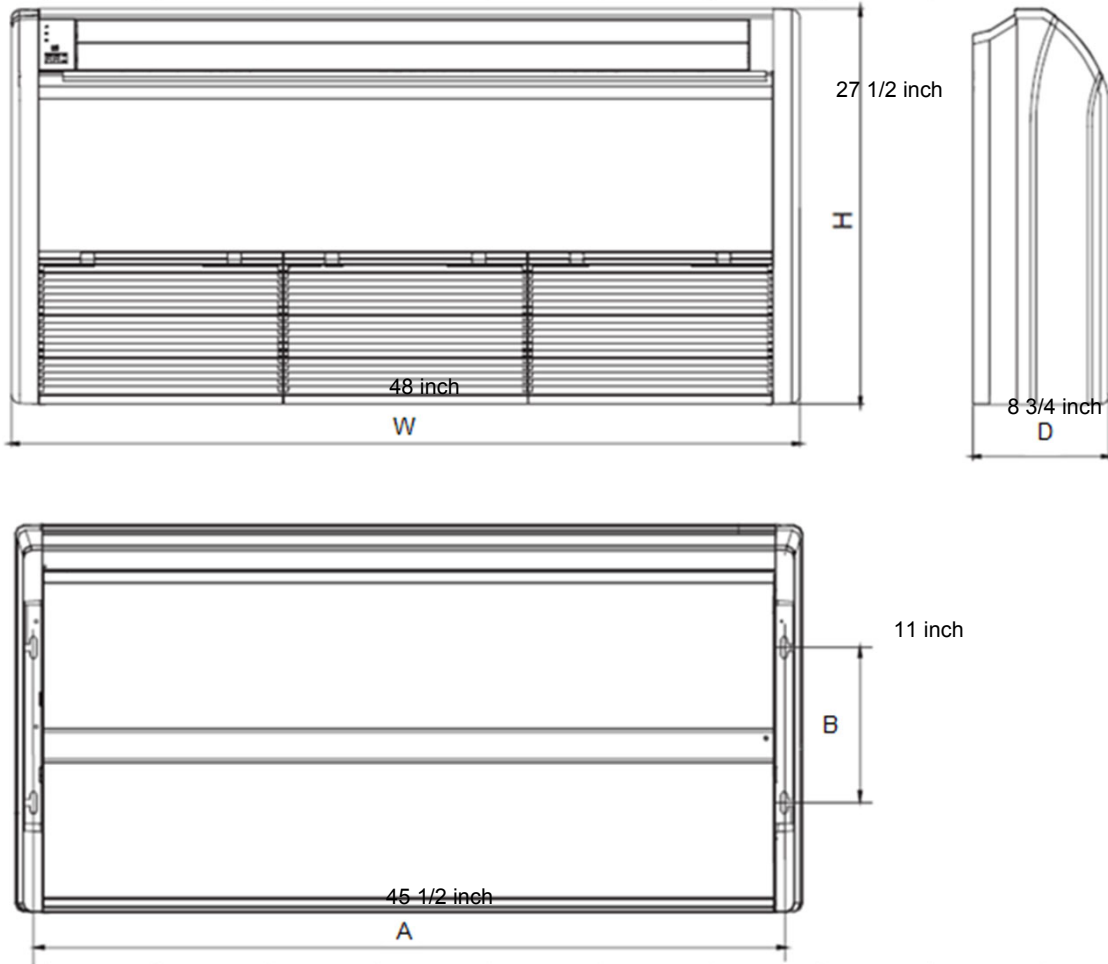
Heating: 70 °F DB Indoor, 47 °F DB

NOTE – Due to Lennox' ongoing commitment to quality, Specifications, Ratings and Dimensions subject to change without notice and without incurring liability. Improper installation, adjustment, alteration, service or maintenance can cause property damage or personal injury. Installation and service must be performed by a qualified installer and servicing agency. ©2019 Lennox Industries Inc.



SUBMITTAL DATA - INDOOR UNIT
VEUM012C432P
VRF UNIVERSAL MOUNTED TYPE EVAPORATOR
208-230/60/1

DIMENSIONAL DRAWINGS



NOTE – Due to Lennox' ongoing commitment to quality, Specifications, Ratings and Dimensions subject to change without notice and without incurring liability. Improper installation, adjustment, alteration, service or maintenance can cause property damage or personal injury. Installation and service must be performed by a qualified installer and servicing agency. ©2019 Lennox Industries Inc.