



**SUBMITTAL DATA - INDOOR UNIT**  
**VEUM042C432P**  
**VRF UNIVERSAL MOUNTED TYPE EVAPORATOR**  
**208-230/60/1**

Job Name: \_\_\_\_\_  
 Location: \_\_\_\_\_  
 Schedule No.: \_\_\_\_\_  
 System Designation: \_\_\_\_\_

Engineer: \_\_\_\_\_  
 Architect: \_\_\_\_\_  
 Date: \_\_\_\_\_  
 For: \_\_\_ Reference \_\_\_ Approval \_\_\_ Review \_\_\_ Construction

**FEATURES**

- Auto Addressing installation
- Auto Restart
- Auto Swing Louvers
- Built-in Electronic Expansion Valve
- LED Display
- Washable Filter
- Anti-Freezing Protection
- Enameled finish

**PRODUCT WARRANTY**

All covered components - one year limited warranty

**SPECIFICATIONS**

**PERFORMANCE**

Cooling Capacity* (Btu/h)		42,000
Heating Capacity* (Btu/h)		47,000
Airflow (CFM)	High	1180
	Medium	1065
	Low	855

Sound Pressure Level (dBA)                      H / M / L    52/48/45

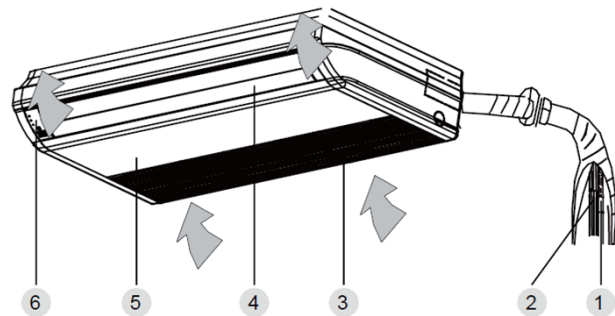
**ELECTRICAL DATA**

Power Supply (V / Ph / Hz)		208-230/60/1
MOCP (A)		15
Circuit Breaker (A)		15
MCA (A)		1
Rated Current (A)	Cooling	0.7
	Heating	0.7

**DIMENSIONS**

Unit Dimensions (in)	Height	27 1/2
	Width	67
	Depth	9 5/8

Liquid Pipe Connection (in)	3/8
Gas Pipe Connection (in)	5/8
Drain Pipe Connection (in)	5/8
Shipping Weight (lb)	149.6
Net Weight (lb)	132



1. Drain Hose
2. Pipe Connection
3. Air Inlet Grill (Air Filter inside)
4. Swing Louvers
5. Front Panel
6. Display LED

**NOTES:**

\*Cooling and Heating Capacity data is rated at the following conditions:

Cooling: 80 °F DB / 67 °F WB Indoor, 95 °F DB Outdoor

Heating: 70 °F DB Indoor, 47 °F DB

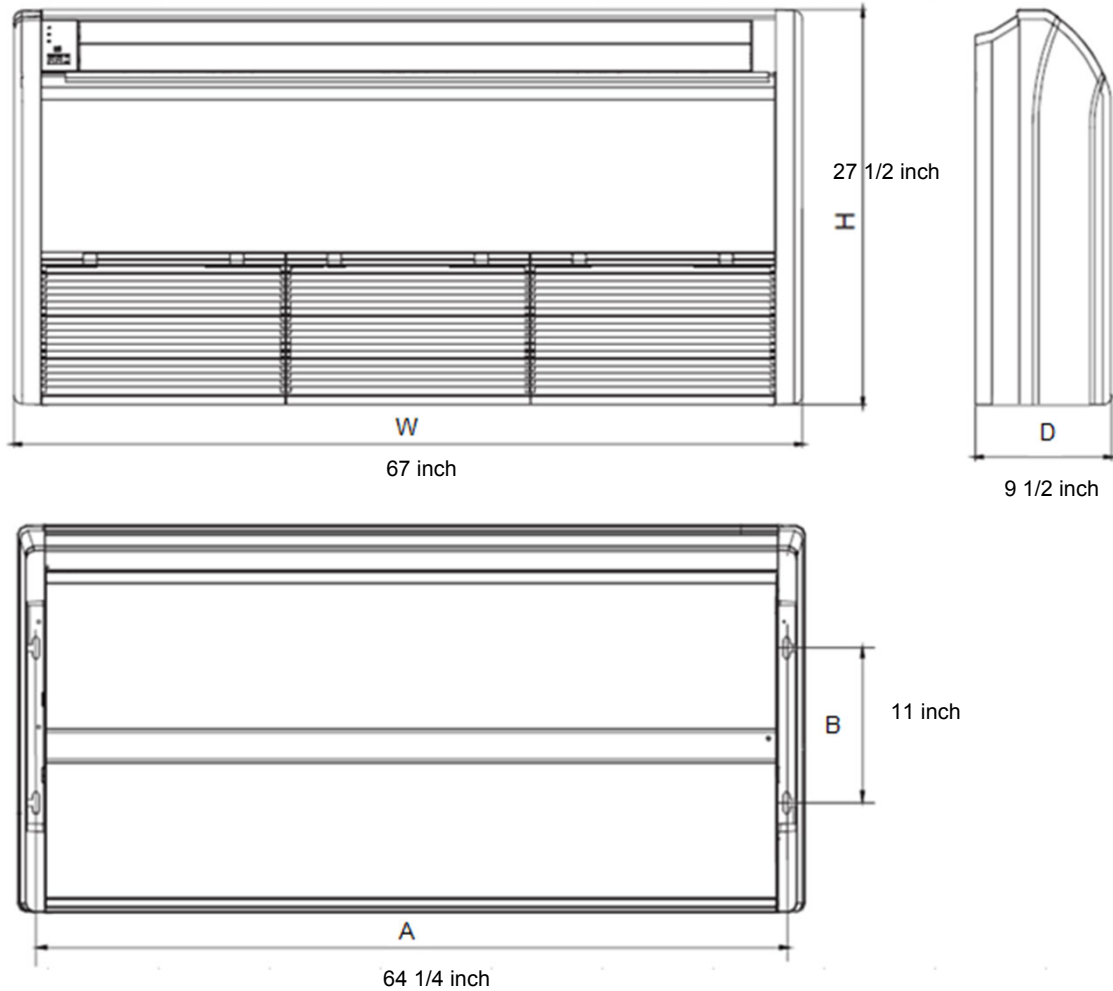


NOTE – Due to Lennox' ongoing commitment to quality, Specifications, Ratings and Dimensions subject to change without notice and without incurring liability. Improper installation, adjustment, alteration, service or maintenance can cause property damage or personal injury. Installation and service must be performed by a qualified installer and servicing agency. ©2019 Lennox Industries Inc.



**SUBMITTAL DATA - INDOOR UNIT**  
**VEUM042C432P**  
**VRF UNIVERSAL MOUNTED TYPE EVAPORATOR**  
**208-230/60/1**

**DIMENSIONAL DRAWINGS**



NOTE – Due to Lennox' ongoing commitment to quality, Specifications, Ratings and Dimensions subject to change without notice and without incurring liability. Improper installation, adjustment, alteration, service or maintenance can cause property damage or personal injury. Installation and service must be performed by a qualified installer and servicing agency. ©2019 Lennox Industries Inc.